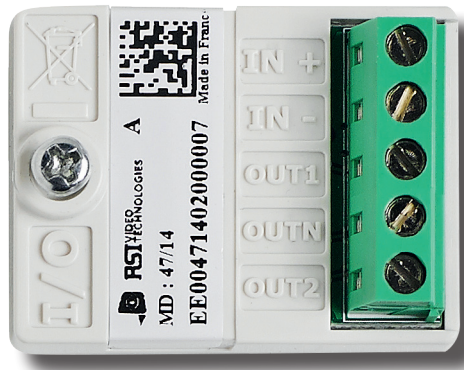


APPLICATION NOTE

Doc. - Ref. 240-WIS100
Version : February 2015

The WIO100 Input/Outputs module is one of the removable communication modules that can be installed on the W panel.



The WIO100 module has one programmable input and two programmable outputs.

With this module, the W panel can be connected to wired devices such as :

- Panic buttons, temperature sensors, safety light curtains, wired door contacts, glassbreak, shock, flooding or gas detectors (wired input).
- Flashing lights, spotlights, smoke equipment, light or sound indicator (wired output).

The programmable input can be configured as **normally open** (NO) or **normally closed** (NC), it can also be **supervised** in order to detect cable tamperers.

With the Mapping, the programmable input can be set up to take a 10 second video from any Videofied® Motion Viewer™ when the detector linked to the programmable input is triggered.

The programmable input can also be wired to an existing alarm system in order to add video-vérification. That mode is called XTENDER mode.

Programmable outputs are normally open drys contacts that close when the output is activated.

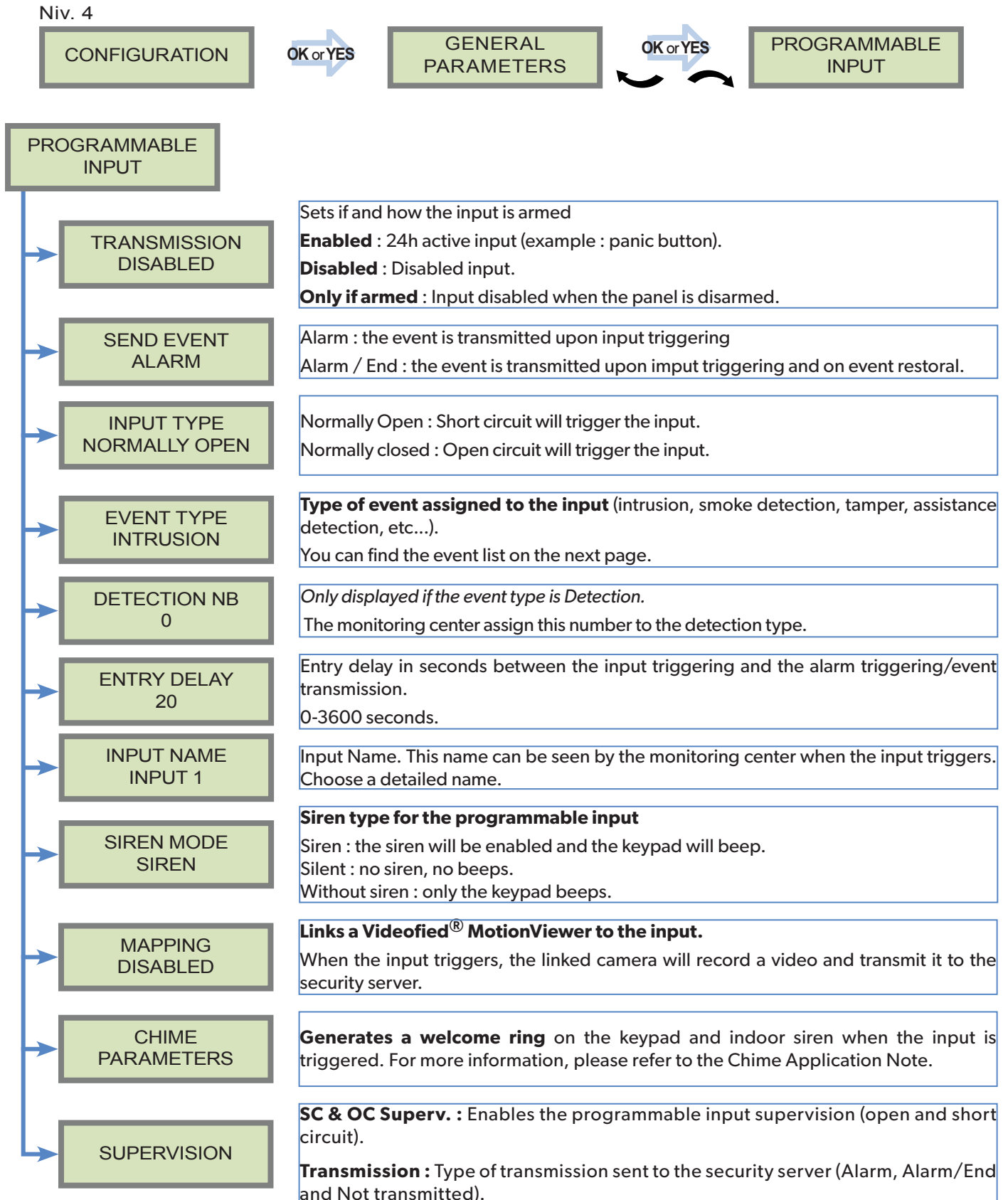
Index

1. Programmable input	2
1.1 Programmable input menu	2
1.2 Event list	3
1.3 Programmable input wiring and supervision	3
1.4 XTENDER Mode	4
1.5 XTENDER Mode configuration	5
2. Programmable outputs	6
2.1 Programmable outputs triggering	6
2.2 Access to programmable outputs menu	7
2.3 Programmable outputs menu	7

1. Programmable input

The programmable input is triggered by a **dry contact** connected to its terminals switches.

1.1 Programmable input menu



1.2 Types d'événements

INTRUSION
TAMPER
PANIC BUTTON
INCORRECT CODE
DURESS CODE 1
DURESS CODE 2
SUPERVISION
RADIO JAMMING
LOW PANEL BATT.
LOW DEVICE BATT.
AC POWER MISS
PANEL RESET
SYSTEM ARMED
SYSTEM DISARMED
PERIODIC TEST
ALARM CANCEL
SMOKE DETECTION
PHONLINE MISS.
TMT REQUEST
MEDICAL ASSIST.
ETHERNET CABLE
DETECTION

The programmable input can be assigned to different event types according to the source of the linked device triggering.

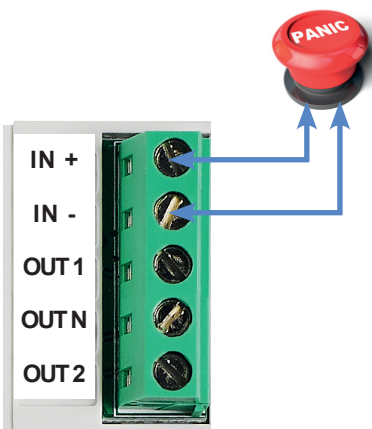
The security server will receive this event when the programmable input triggers.

Important:

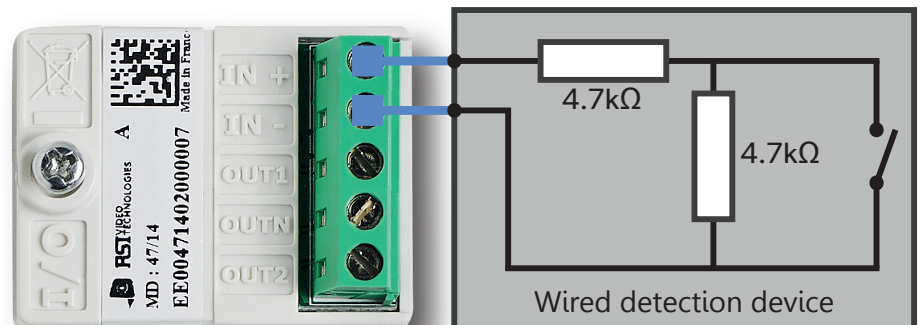
These events are different from the events transmitted list in the FRONTEL SECURITY PARAMETERS menu. They will be sent no matter how the events listed in the EVENT TRANS. MODIFICATION are set.

1.3 Programmable input wiring and supervision

Programmable input wiring



Programmable input supervision



Connect two 4,7kΩ resistors (provided) as shown in the above scheme.

1.4 XTENDER mode

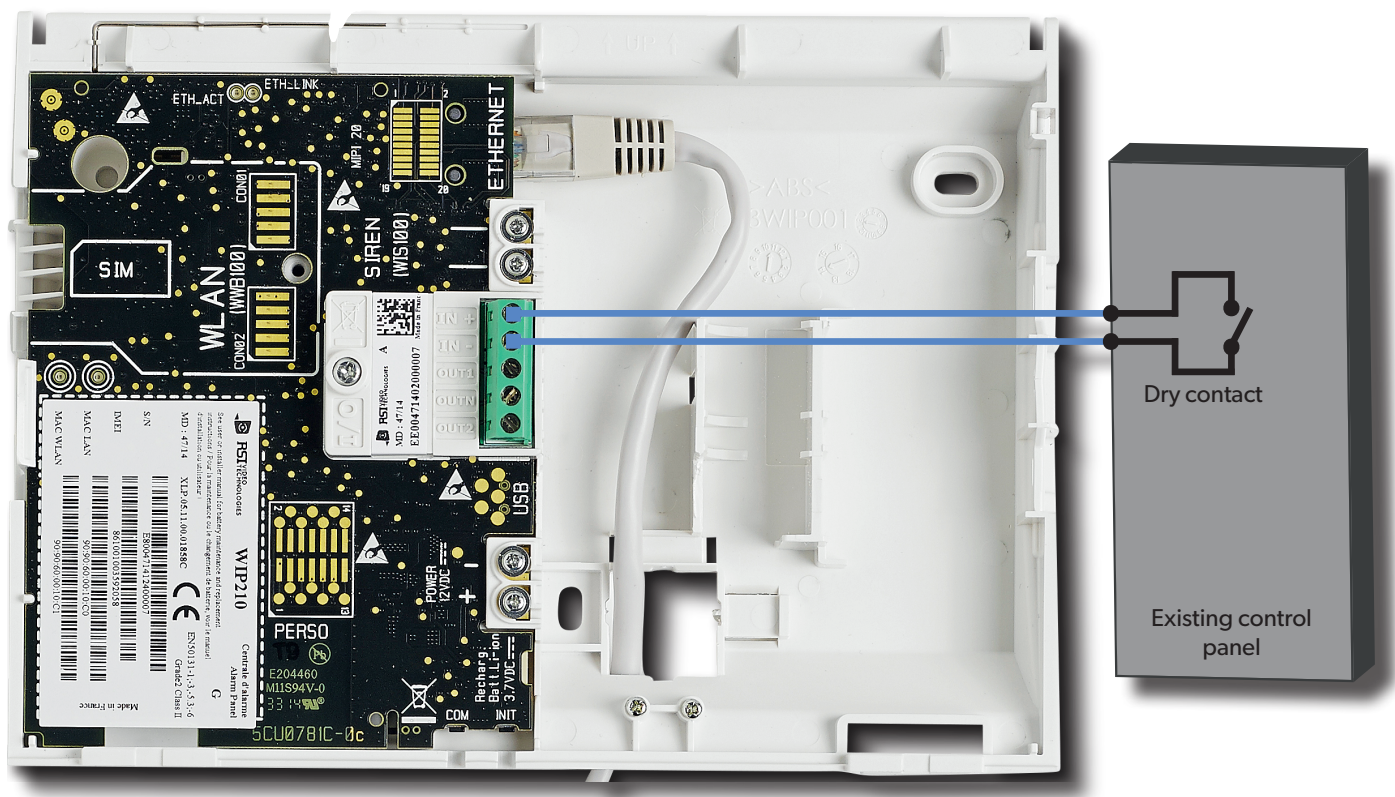
The Videofied® W panel can be used as a standalone alarm system.

When fitted with the WIO100 input/outputs module, it can also be wired to an **existing alarm system** with a programmable dry contact.

When used in XTENDER mode, the W panel can only be armed when the programmed condition for arming is met.

For example, if the XTENDER input type parameter is set as **normally open**, the system **will arm** when **the circuit is closed**.

Opening the circuit will disarm the panel.



When used in XTENDER mode, **arming devices** (keypads, keyfobs, badge readers) **cannot arm or disarm the system**.

To switch between standalone mode and XTENDER mode, go to the menu :

CONFIGURATION (Lvl 4) > GENERAL PARAMETERS > XTENDER

Note :

Enabling the programmable input will automatically disable the XTENDER mode and switch the W panel in standalone mode. In the same manner, enabling the XTENDER mode will automatically disable the programmable input.

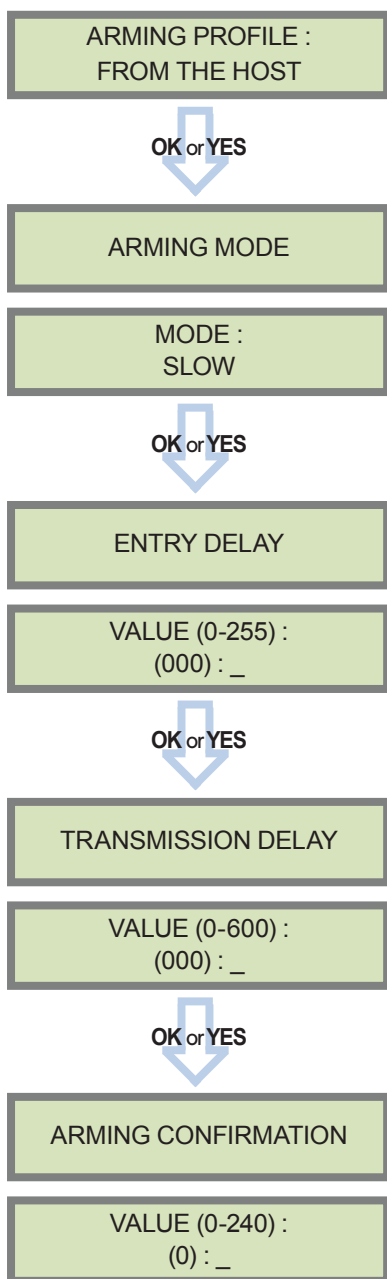
Like when it is used as a programmable input, the WIO100 input used as an XTENDER arming input can be supervised thanks to the two 4.7kΩ resistors provided with the module.

1.5 XTENDER Mode configuration

When a WIO100 Input/outputs module is fitted on the W panel, the XTENDER mode can be configured either during initial configuration, or in the GENERAL PARAMETERS menu.

- **During initial configuration**, the ARMING PROFILE screen will appear. Choos FROM THE HOST instead of STANDALONE to access the XTENDER mode configuration menu.
- Access the configuration menu **from the GENERAL PARAMETERS menu** : CONFIGURATION (Lvl 4) > GENERAL PARAMETERS > XTENDER

ARMING PROFILE :
FROM THE HOST



MODE SLOW : The panel will arm each device one at a time saving battery life. This mode is recommended.

MODE FAST : The panel will arm all devices at the same time. This mode increases significantly the battery consumption.

Press **OK** or **YES** to select the parameter.

Enter the value for your Entry Delay up to 255 seconds and press **OK** or **YES**.

Note : In From the Host mode, the entry/exit delay are managed by the master system.

The transmission delay value set the delay between the detection of an event and its transmission to the monitoring center.

Except when specifically required, please enter 0.

Enter the value you would like for the Transmission Delay and press **OK** or **YES**.

Arming Confirmation is the number of seconds the system will wait to arm after voltage is latched on the arming input. This feature can be used as an exit delay, we suggest you to enter the same value as your master system exit delay.

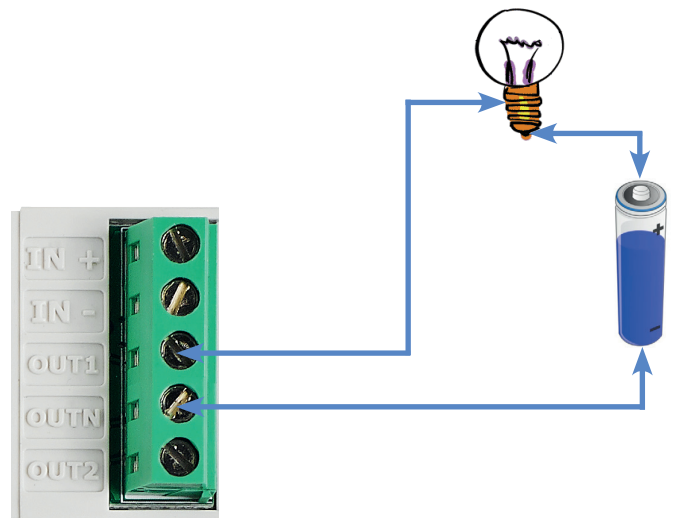
Enter the value you would like for the Arming Confirmation and press **OK** or **YES**.

2. Programmable outputs

The WIO100 programmable output is a dry contact triggering a wired external device. These outputs can only be wired to SELV circuits. **The voltage and current are limited to 24V/100mA.**

Programmable outputs OUT 1 and OUT 2 can be triggered by :

- An event linked to the panel or its devices.
- The triggering of the programmable input or the arming input.



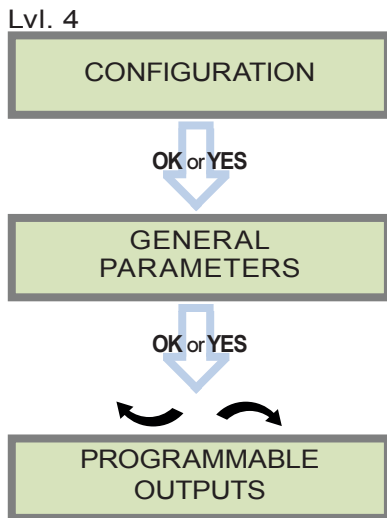
OUT 1 programmable output connection

2.1 Programmable outputs triggering

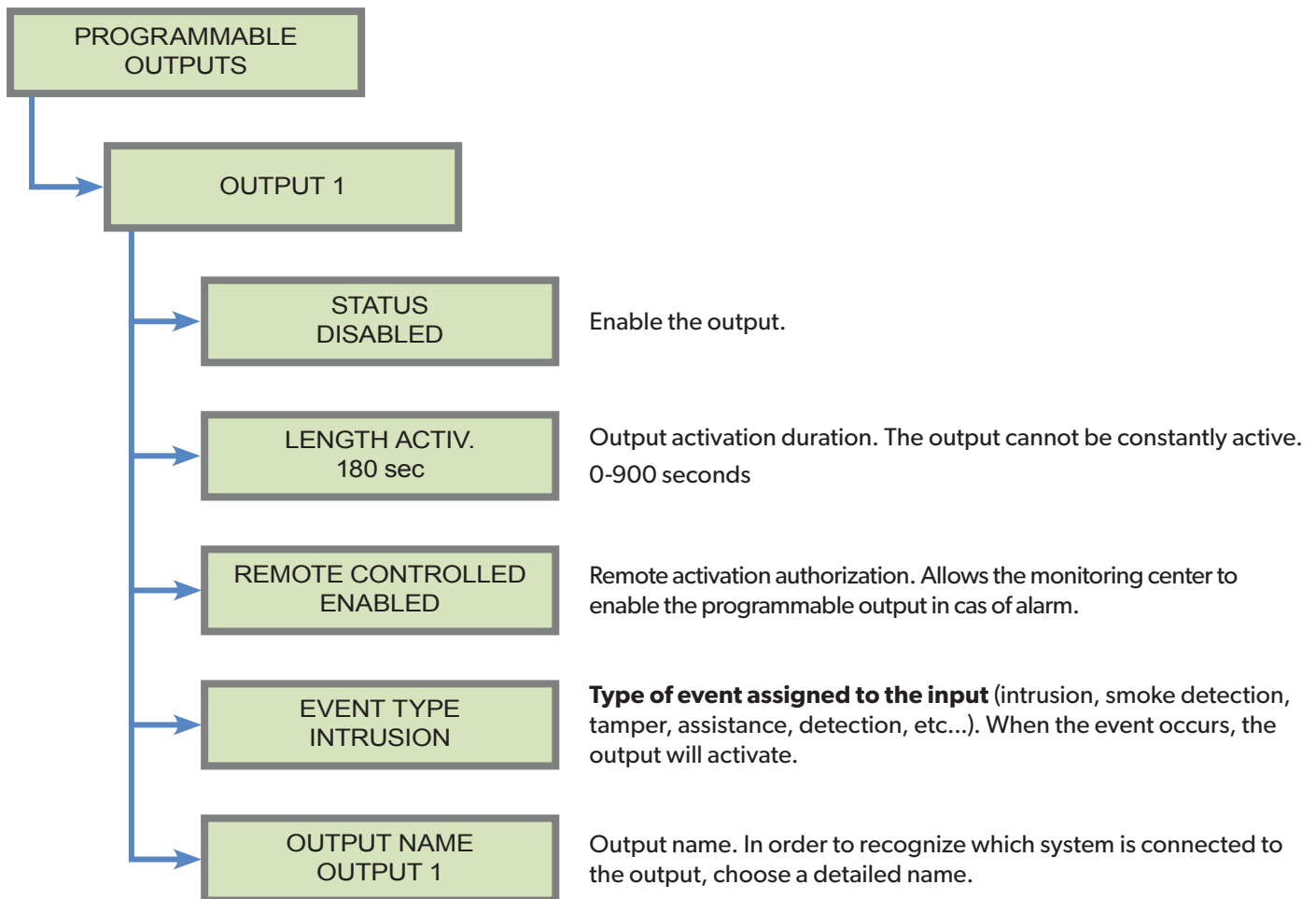
You can find below the list of events that can trigger a programmable output.

INTRUSION
TAMPER
PANIC BUTTON
INCORRECT CODE
DURESS CODE 1
DURESS CODE 2
SUPERVISION
RADIO JAMMING
LOW PANEL BATT.
LOW DEVICE BATT
AC POWER MISS.
PANEL RESET
SYSTEM ARMED
SYSTEM DISARMED
PERIODIC TEST
ALARM CANCEL
SMOKE DETECTION
PHONELINE MISS.
TMT REQUEST
MEDICAL ASSIST.
ETHERNET CABLE
DETECTION
PROG. INPUT 1

2.2 Access to programmable outputs menu



2.3 Programmable outputs menu



EMEA SALES

23, avenue du Général Leclerc
 92340 BOURG-LA-REINE
 FRANCE
 E-Mail : emeasales@rsivideotech.com

North American Headquarters

1375 Willow Lake Blvd, Suite 103
 Vadnais Heights, MN 55110
 USA
 E-Mail : usasales@rsivideotech.com

