

DH-WB2-60N-I

Elevator wireless bridge



- On-screen display.
- One-press pairing.
- Spectrum analysis helps you choose the optimal channel.
- Passive PoE Power Supply.



Series Overview

Elevator Wireless Bridge is specially designed to transmit wireless data, such as HD videos, in elevators. It adopts IEEE 802.11n technology and works in the 2.4 GHz frequency band, giving it a wireless data transmission rate of up to 300 Mbps. The two built-in 6 dBi high-gain directional antennas produce strong signals and have a wide coverage. Highly reliable, the wireless bridge supports OSD (On-screen Display) and one-press pairing, making it easy to install and a great choice for video surveillance in elevators.

Functions

On-screen Display (OSD)

With its built-in digital panel meter, 2 buttons and 1 DIP switch, you can quickly configure roles and channels.

One-press Pairing

Press the reset button for just 1 second to quickly pair the device, eliminating the need to perform configurations.

Spectrum Analysis

Provides Radio Spectrum Analysis during deployment to help you choose the optimal channel.

Passive PoE Power Supply

The PoE adapter that comes with the device converts the power supplied by the standard power supply to 24 VDC, and has a transmission distance of 80 meters.

Scene

Suitable for use with video surveillance backhaul applications in elevator scenes.

Technical Specification

Hardware

Function Slots	2
Power Supply	Passive PoE
Power Consumption	5 W
WAN Port	1 × 10/100 Mbps RJ-45 port
Indicator Light	1 × system indicator; 1 × WAN port indicator; 1 × LAN port indicator; 1 × Wi-Fi indicator
External Port	1 × LAN port (RJ-45); 1 × WAN port (RJ-45)
Wireless Standard	IEEE802.11b/g/n

Performance

Operating Frequency	2.412 GHz–2.484 GHz
Terminal Communication Protocol	TCP/IP protocol
Air Interface Rate	300 Mbps
Max. Output Power	20 dBm ± 2 dBm
Antenna	Built-in antenna
Antenna Gain	8 dBi
Antenna Direction Angle	Horizontal: 60°; vertical: 60°
Polarization	Horizontal/vertical dual polarization
Cross-polarization Isolation	23 dBi
Max. VSWR	<1.5
Transmission Distance	1 km (3280.84 ft)
Optimal Transmission Distance	300 m (984.25 ft)
Network Mode	Bridge mode

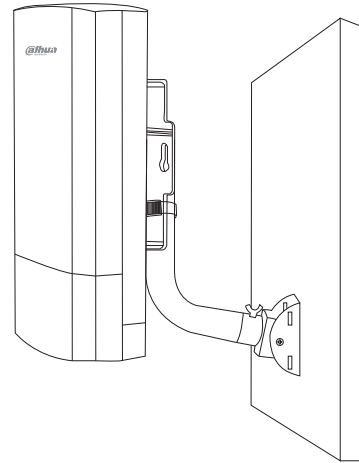
2.4Ghz elevator wireless bridge | DH-WB2-60N-I

Operating Mode	Access point mode; repeater mode
Channel	1–13
Device Type	802.11b/g/n
Channel Width	20 MHz; 40 MHz
Standard TX Power	20 dBm
Protection	IP65
Function	
WAN Port Connection Mode	Ethernet port
Encryption Mode	WPA2
Management and Log	AC; Syslog; NTP; Telnet
Firmware Update	Web update
Wireless Certification	WPA2
Security Mechanism	Password
Network Protocol	UDP; HTTPS; IPv4; DNS; TCP/IP; HTTP; NTP; DHCP
DHCP Server	Yes

General

Operating Temperature	–30 °C to +55 °C (–22 °F to +131 °F)
Storage Temperature	–40 °C to +70 °C (–40 °F to +158 °F)
Operating Humidity	5%–95% (RH)
Gross Weight	1.33 kg (2.9 lb)
Net Weight	0.72 kg (1.6 lb)
Packaging Dimensions	274 mm × 228 mm × 78 mm (10.79" × 8.98" × 3.07")
Product Dimensions	168.0 mm × 88.0 mm × 57.6 mm (6.61" × 3.46" × 2.27")
Memory	64 MB
Statics Protection	±6 kV
Lighting Protection	±2 kV
Installation	Pole mount
Packing List	<ul style="list-style-type: none"> 2 × Devices 2 × PoE adapters 2 × Power cables 2 × Twisted pair cables 2 × Hose Clamp 1 × User manual 1 × Laws and regulations manual

Installation



Dimensions (mm [inch])

