

## INSTALLATION AND MAINTENANCE INSTRUCTIONS

# WB-1 Detector Adapter Base Enclosure for Humid Environments

For use with Base Models: B101, B101R, B106, B106R, and B201



# SYSTEM SENSOR

A Division of Pittway  
3825 Ohio Avenue, St. Charles, Illinois 60174  
1-800-SENSOR2, FAX: 630-377-6495

### General Description

Because excessive humidity may cause nuisance alarms, installation of smoke detectors in very humid environments should be avoided, if possible. However, code regulations often require detectors in public facilities where humidity is a problem, such as locker rooms in schools, spas, and sports facilities.

For such environments, System Sensor has developed a molded plastic enclosure kit for detector adapter bases that minimizes the effect of condensation on the detectors equipped with it. The enclosure is designed to accommodate 18.6mm conduit. The top has a center knockout for a conduit connection, while four sides have molded-in centers for starting drill holes if side connections are desired. (The holes are not pre-drilled because the enclosure would not remain moisture-proof.) The enclosure kit also includes brackets and screw for rope mounting.

Three mounting options are available: surface mounting, cable mounting, and pendant mounting. For surface mounting, side tabs are provided so the enclosure can be screwed or bolted directly to the ceiling surface. A side conduit connection can be used. For cable mounting, cable hangers (and screws) are provided to suspend the enclosure from a steel cable. Either a side or top conduit connection can be used, and the conduit can also be suspended from the steel cable. For pendant mounting, the enclosure and the detector can be suspended directly from a center conduit connection.

### Instructions for Surface Mounting

Surface mounting of the adapter base enclosure is shown in Figure 1.

1. Drill hole(s) as required for conduit connector(s) (not supplied).
2. Mount adapter to surface with appropriate screws through mounting tabs on sides of adapter base enclosure.
3. Install wiring and conduit connector(s) through side hole(s).
4. Connect wiring to the detector adapter base following the instructions supplied in the Installation Instructions for the Detector Adapter Bases, Part No. I56-218-01.
5. Mount the Detector Adapter Base in the WB-1 Enclosure using two (2) of the self-threading (thread-forming)

Figure 1. Surface mounting:

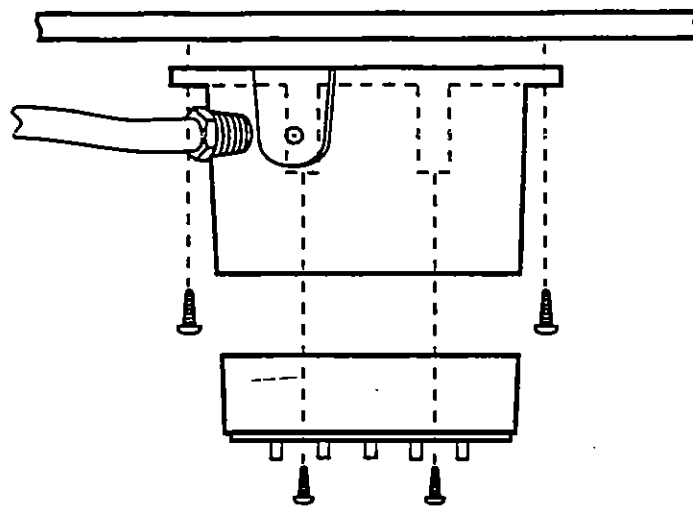
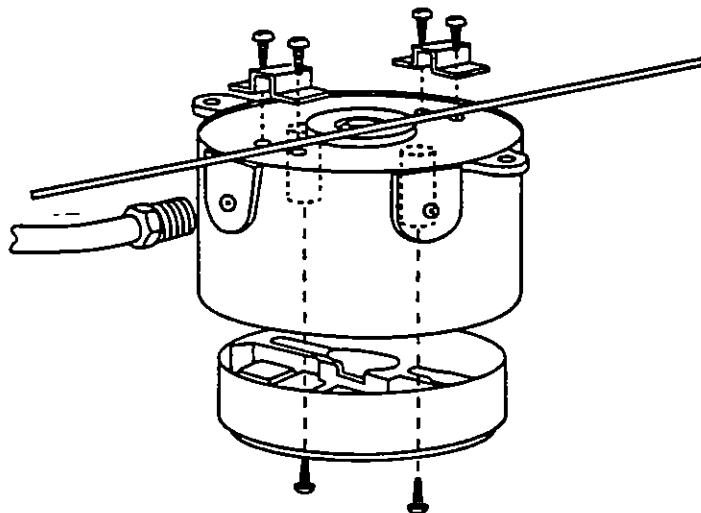


Figure 2. Cable mounting:



screws supplied with the WB-1 kit.

6. Install the detector head and test it.

#### Instructions for Cable Mounting

Cable mounting of the adapter base enclosure is shown in Figure 2.

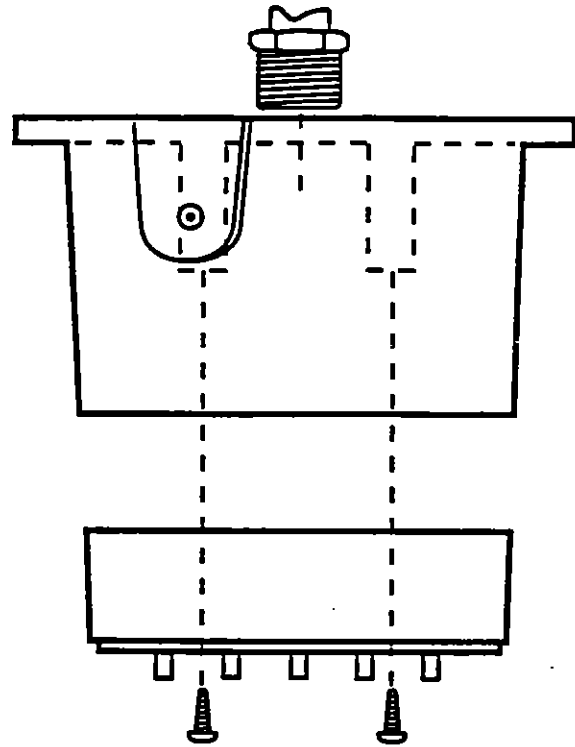
1. Drill hole(s) as required for conduit connector(s) not supplied.
2. Mount the enclosure to a steel suspension cable using the two cable brackets and four (4) of the self-threading (thread-forming) screws supplied with the WB-1 kit.
3. Install wiring and connectors through holes drilled in the enclosure.
4. Connect wiring to the detector adapter base following the Installation Instructions for the Detector Adapter Bases, I56-218-01.
5. Mount the Detector Adapter Base on the WB-1 Enclosure using two (2) of the self-threading (thread-forming) screws supplied with the WB-1 kit.
6. Install the detector head and test it.

#### Instructions for Pendant Mounting

Pendant mounting of the adapter base enclosure is shown in Figure 3.

1. Punch out knockout in center of top (flat) surface of enclosure.
2. Install wiring and connectors (not supplied) through center knock-out hole.
3. Connect wiring to the detector adapter base following the Installation Instructions for the Detector Adapter Bases, Part No. I56-218-00.
4. Mount the Detector Adapter Base in the WB-1 Enclosure using two (2) of the self-threading (thread-forming) screws supplied with the WB-1 kit.
5. Install the detector head and test it.

Figure 3. Pendant mounting:



#### Three-Year Limited Warranty

System Sensor warrants its enclosed base enclosure to be free from defects in materials and workmanship under normal use and service for a period of three years from date of manufacture. System Sensor makes no other express warranty for this base enclosure. No agent, representative, dealer, or employee of the Company has the authority to increase or alter the obligations or limitations of this Warranty. The Company's obligation of this Warranty shall be limited to the repair or replacement of any part of the base enclosure which is found to be defective in materials or workmanship under normal use and service during the three year period commencing with the date of manufacture. After phoning System Sensor's toll free number 800-SENSOR2 (736-7672) for a Return Authorization number, send defective units postage prepaid to: System Sensor, Repair Depart-

ment, RA # \_\_\_\_\_, 3825 Ohio Avenue, St. Charles, IL 60174. Please include a note describing the malfunction and suspected cause of failure. The Company shall not be obligated to repair or replace units which are found to be defective because of damage, unreasonable use, modifications, or alterations occurring after the date of manufacture. In no case shall the Company be liable for any consequential or incidental damages for breach of this or any other Warranty, expressed or implied whatsoever, even if the loss or damage is caused by the Company's negligence or fault. Some states do not allow the exclusion or limitation of incidental or consequential damages, so the above limitation or exclusion may not apply to you. This Warranty gives you specific legal rights, and you may also have other rights which vary from state to state.