



# CDVI V1SR

180Kg Surface Mount Electromagnetic lock

EN

## PRODUCT PRESENTATION

- **Monitored**
- **Surface mount**
- **High Corrosion resistance**
- **Safety Rope**
- **Delivered with armature**
- **No mechanical wear**
- **Ease of installation**
- **Recommended for interior use**
- **Fail safe** (Door unlocked when power off)
- **Holding force:** 180 kg
- **Built-in varistor:** Built-in electronic protection to eliminate back EMF
- **Dimensions (L x W x D):** 166 x 34,5 x 21mm
- **Armature dimensions (L x W x D):** 130 x 32 x 9mm
- **Power supply:** 12/24V dc
- **Power absorption:** 12 V DC = 600 mA  
24 V DC = 300 mA



WEEE & RoHS

EC certification

IP42

## PACKAGE CONTENTS

Magnetic lock	Armature plate	Fixing plate	Security rope	Roll pin 5x16	Wood screw 3,5x25
1	1	1	2	2	8
Steel washer	Rubber washer	M5x35 screw	4,8x16 screw	Cap nut	Manual
2	1	1	2	1	1

## ELECTRICAL CONNECTIONS

**12V dc default setup**

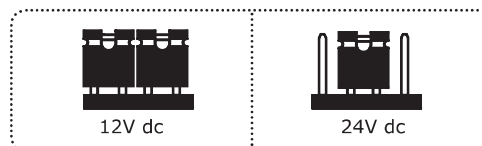
Wires	Correspondance
Red	+ 12 or 24V dc
White	- 0 V
Yellow	NC Normally closed
Blue	C COM
Orange	NO Normally open

The N.O./N.C. signal only switches when the door is closed with the power to it on.

### IMPORTANT NOTE

Check the jumper position before connecting the lock to the input current. A wrong position could damage the lock. This type of damage is not covered by the warranty.

### Voltage selection jumpers



### Recommended power supplies

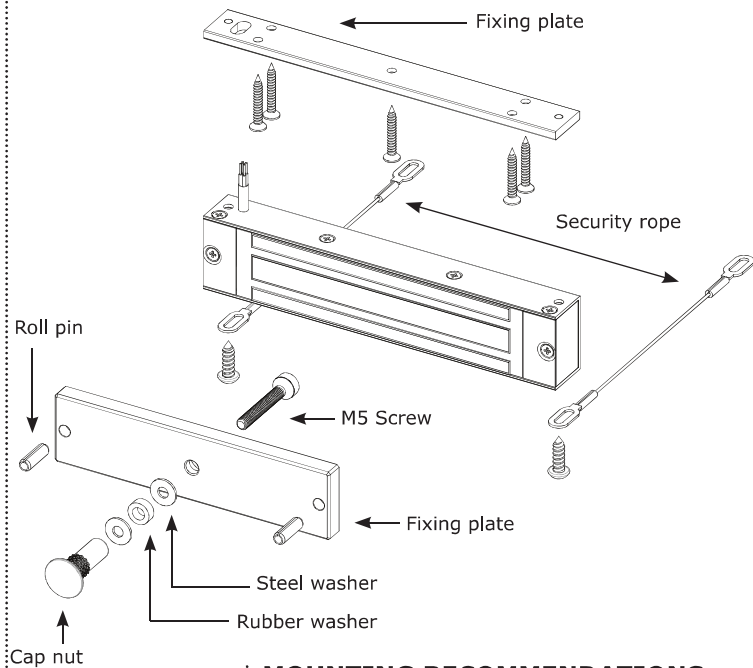


ADC335

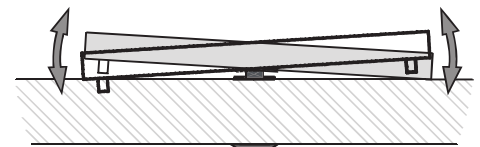


BS60

## INSTALLATION

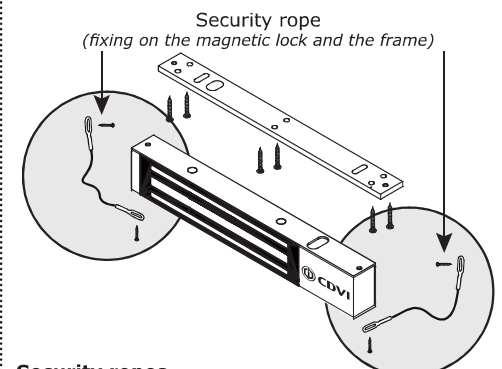


## MOUNTING RECOMMENDATIONS



### Armature plate

- It is vital to fix the electromagnetic lock and armature plate solidly on their supports.
- Make sure that the magnet and the armature meet evenly over their entire mating surfaces.
- The armature plate must be able to pivot slightly about its center mounting screw to compensate for any door misalignment.



### Security ropes

The electromagnetic lock undergoes repeated shocks and the vibration at the points of fixation on the frame (frequencies of openings / closures, attempt of opening wears closed and attempts of vandalism) which can loosen the fixing bolts/ screws.

To prevent the risk of the electromagnetic block from falling, install both security ropes supplied, to guarantee the safety of the users (see plan above).