

Industrial 4-Port Gigabit PoE++ 1-Port Gigabit RJ-45 1-Port Gigabit SFP Unmanaged Ethernet Switch

Overview

The product is Industrial 4-Port Gigabit PoE++ 1-Port Gigabit RJ-45 1-Port Gigabit SFP Unmanaged Ethernet Switch.

The switches provide 4*10/100/1000Mbps Ethernet RJ-45 ports, 1*10/100/1000Mbps Ethernet RJ-45 uplink port, 1*1000Mbps SFP uplink port. It meets IEEE 802.3af/at/bt standard. Uplink RJ-45 port supports up to 90W PoE++ power input. All downlink RJ-45 ports support Power-over-Ethernet (PoE++), which can deliver up to 90W power per port.

The switches support the Q-PoE (Quick PoE) technology, which enables PoE power supply immediately upon switch startup without waiting for switch system software control.

The switches support 2 working modes through DIP switch: Default and CCTV. Under CCTV mode, the transmission distance is extended up to 250m, but the rate is limited to 10Mbps. It can be widely used in video security monitoring systems, network projects, etc.

Features and Highlights

Abundant Interfaces

- 4*10/100/1000BASE-T PoE++ RJ-45 (Auto MDI/MDIX)
- 1*10/100/1000BASE-T RJ-45 (Auto MDI/MDIX)
(Supports up to 90W PoE++ power input)
- 1*1000BASE-X SFP
- 1*Relay

High Performance Design

- Redundant power supply
- 6kV surge immunity
- 6kV contact discharge, 8kV air discharge ESD protection
- Fan-less metal shell design
- DIN-rail/Desktop/Wall mounted installation

Power-over-Ethernet

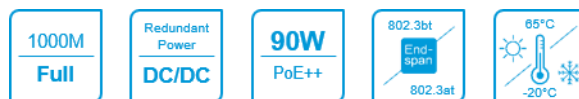
- IEEE 802.3af/at/bt
- 90W PoE input
- 90W max for each port

Q-PoE (Quick PoE)

- The switch supports the Q-PoE (Quick PoE) technology, which enables PoE power supply immediately upon switch startup without waiting for switch system software control.

One-key Smart Mode

- CCTV: the transmission distance is extended up to 250m, but the rate is limited to 10Mbps.



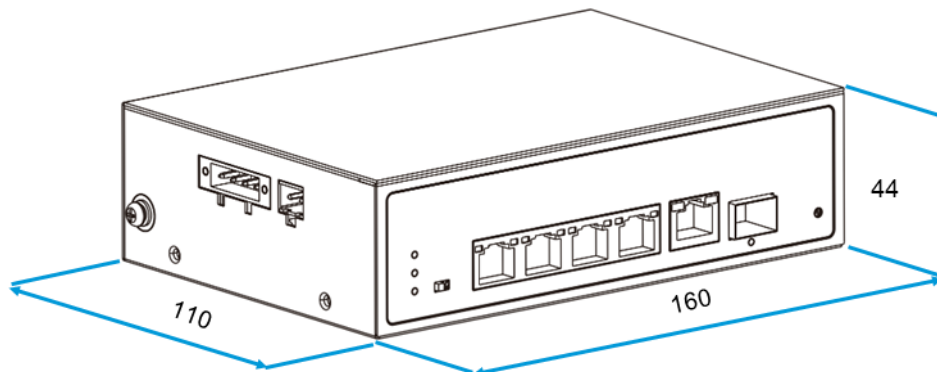
Specifications

Item	
Hardware Specifications	
Downlink Port	4*10/100/1000 BASE-T PoE++ RJ-45(Auto-MDI/MDI-X)
Uplink Port	1*10/100/1000 BASE-T RJ-45(Supports up to 90W PoE++ power input) 1*1000 BASE-X SFP
Management Port	1*Relay
DIP Switch	CCTV mode: the transmission distance is extended up to 250m, but the rate is limited to 10Mbps.
LED Indicators	2*PWR, power indicators
	1*SFP port indicator
	1*ALM, alarm indicator
Dimensions (W*D*H)	160mm*110mm*44mm
Net Weight	0.59kg
Input Power	PoE: IEEE 802.3af/at/bt standard, 90W max. Power 1 (Main): 48~57V DC, Power 2 (Backup): 48~57V DC
Power Consumption	≤130W (Full load including PoE)
Material	Metal shell
Installation	DIN-rail/Desktop/Wall mounted
Switch Property	
Standards	IEEE 802.3, IEEE 802.3u, IEEE 802.3ab, IEEE 802.3z, IEEE 802.3x, IEEE 802.1D, IEEE 802.3af, IEEE 802.3at, IEEE 802.3bt
Forwarding Modes	Store and forward
MAC Table	2k, support auto learning
Switching Capacity	12Gbps/non-blocking
Packet Forwarding Rate	8.928Mpps
Port Buffer	1MB
Jumbo Frame	9716 Bytes
Power Supply	
PoE Standard	IEEE 802.3af/at/bt (PD&PSE)
PoE Power Supply Type	End-span
PoE Pin Assignment	3/6/4/5(+), 1/2/7/8(-)
PoE Budget	90W max for each port, 75W max for whole switch (PoE++ input), 120W max for whole switch (DC input)
Alarm Signal Output by Relay	
Alarm Signal Output by Relay	Support relay alarm for power off
Reliability	
ESD	IEC61000-4-2, Level 3: Contact Discharge: ±6kV, Air Discharge: ±8kV
Surge	IEC61000-4-5, line to earth: 6kV
Operating	-20°C~65°C, 5%~95% (Non-condensation)
Storage	-40°C~85°C, 5%~95% (Non-condensation)
Certifications	
Certifications	CE, FCC

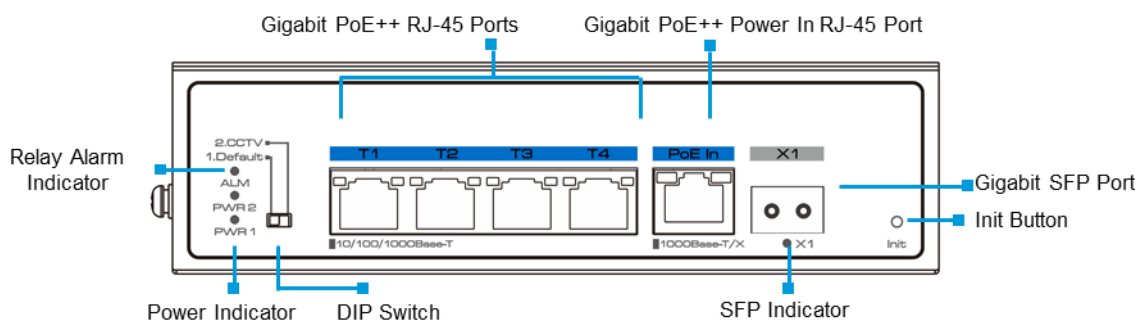
Appearances and Dimensions

Item

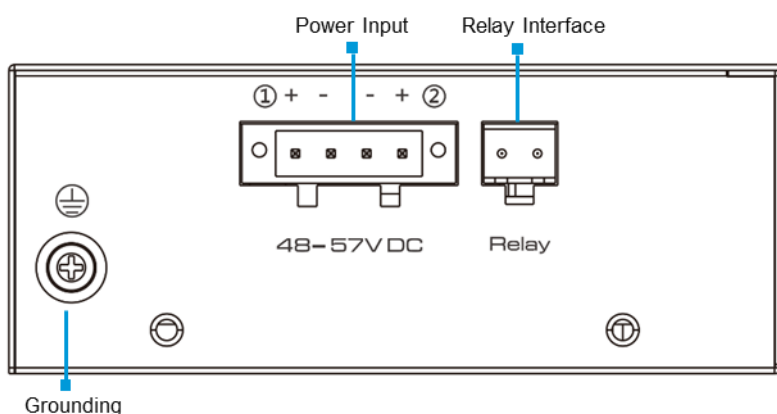
Dimensions(mm)



Front Panel



Side Panel



Packing List

Welcome to order our products. After purchasing, you will receive:

Item	Quantity
Switch	1 pc
Mounting Accessory	1 set
Quick Installation Guide	1 pc

More Information

For more information, please visit:

www.utepo.net

SHENZHEN UTEPO TECH LTD.

Head quarter: 5F, Building B, Tiange Science and Technology Park, NO.2, Luozu Industrial Avenue, Shi'yan Street, Bao'an District, Shenzhen, Guangdong, China

Tel: +86-755-83898016-863 or +86-1501-2669-765 (Sales)

Email: info@utepo.net (Sales), support@utepo.net (Technical support)

©2023 SHENZHEN UTEPO TECH LTD. All Rights Reserved.

Version, V1.0, updated 2023-04-14.

The information in this document is subject to change without notice.

Every effort has been made in the preparation of this document to ensure accuracy of the contents, but all statements, information, and recommendations in this document do not constitute a warranty of any kind, express or implied.