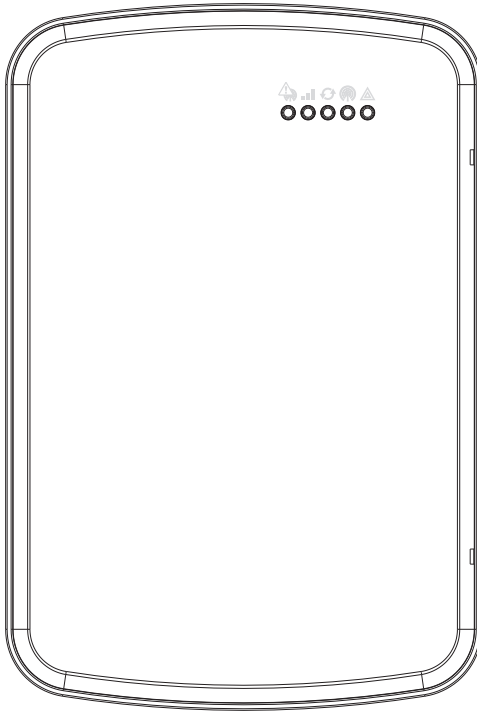


# *tyco*

## TL8803GI-EU Dual Path Controller



CE

Johnson  
Controls 

WARNING: This manual contains information on limitations regarding product use and function and information on the limitations as to liability of the manufacturer. The entire manual should be carefully read.

<b>Warning: Installer Please Read Carefully</b> .....	<b>3</b>
<b>Alarm.com introduction</b> .....	<b>5</b>
<b>IP/HSPA 3G module - TL8803GI-EU</b> .....	<b>5</b>
Contact information .....	6
<b>Features</b> .....	<b>6</b>
<b>Communicator ratings</b> .....	<b>6</b>
<b>Communicator compatibility</b> .....	<b>7</b>
<b>Installation</b> .....	<b>8</b>
<b>Tools and supplies required</b> .....	<b>8</b>
<b>Mounting Instructions</b> .....	<b>8</b>
<b>Step 1: Enable module</b> .....	<b>9</b>
<b>Step 2: Connect the TL8803GI-EU</b> .....	<b>9</b>
1: Connect data bus .....	10
2: Connect power .....	11
3: Connect the PC-Link cable .....	11
4: Connect Ethernet (optional) .....	11
5: Connect external antenna (optional) .....	11
6: Power up .....	12
<b>Step 3: Verify installer code to activate Alarm.com module</b> .....	<b>12</b>
<b>Step 4: Perform dual-path test (module registration)</b> .....	<b>12</b>
<b>Step 5: Allow module to auto-program</b> .....	<b>12</b>
<b>Enroll Alarm.com Image Sensor</b> .....	<b>12</b>
<b>Panel settings</b> .....	<b>13</b>
Central station and telephone line settings .....	13
<b>Troubleshooting</b> .....	<b>16</b>
<b>Module status information</b> .....	<b>16</b>
<b>Troubleshooting LEDs</b> .....	<b>16</b>
LED functions .....	17
LED details .....	17
LED L1 (red) .....	17
LED L2 (yellow) .....	18
LED L3 (yellow) .....	18
LED L4 (green) .....	18
LED L5 (yellow) .....	19
<b>Various module states (modes)</b> .....	<b>19</b>
<b>Improving wireless signal strength</b> .....	<b>19</b>
<b>Walking the customer through new user setup on the web</b> .....	<b>20</b>
<b>Interactive Service Menu</b> .....	<b>21</b>
<b>Interactive menus</b> .....	<b>21</b>
<b>Installer programming</b> .....	<b>21</b>
<b>User functions</b> .....	<b>21</b>
<b>Limited Warranty</b> .....	<b>23</b>
<b>End User License Agreement</b> .....	<b>23</b>
<b>Regulatory Information</b> .....	<b>25</b>
SIMPLIFIED EU DECLARATION OF CONFORMITY .....	25

---

# Warning: Installer Please Read Carefully

## Note to installers

The warnings on this page contain vital information. As the only individual in contact with system users, it is the installer's responsibility to bring each item in this warning to the attention of all users of this system.

## System failures

This system has been carefully designed to be as effective as possible. There are circumstances, however, involving fire, burglary, or other types of emergencies where it may not provide protection. Any alarm system of any type may be compromised deliberately or may fail to operate as expected for a variety of reasons. Some, but not all, of the reasons may be:

### Access by intruders

Intruders may enter through an unprotected access point, circumvent a sensing device, evade detection by moving through an area of insufficient coverage, disconnect a warning device, or interfere with or prevent the proper operation of the system.

### Component failure

Although every effort has been made to make this system as reliable as possible, the system may fail to function as intended due to the failure of a component.

### Compromise of radio frequency (Wireless)

A device's signals may not reach the receiver under all circumstances, which could include: metal objects placed on or near the radio path, deliberate jamming or other inadvertent radio signal interference.

### Criminal knowledge

This system contains security features which were known to be effective at the time of manufacture. It is possible for persons with criminal intent to develop techniques which reduce the effectiveness of these features. It is important that your security system be reviewed periodically to ensure that its features remain effective and that it is updated or replaced if it is found that it does not provide the protection expected.

### Failure of replaceable batteries

This system's wireless transmitters have been designed to provide several years of battery life under normal conditions. The expected battery life is a function of the device environment, usage, and type. Ambient conditions such as high humidity, high or low temperatures, or large temperature fluctuations may reduce the expected battery life. While each transmitting device has a low battery monitor which identifies when the batteries need to be replaced, this monitor may fail to operate as expected. Regular testing and maintenance will keep the system in good operating condition.

### Inadequate installation

A security system must be installed properly in order to provide adequate protection. Every installation should be evaluated by a security professional to ensure that all access points and areas are covered. Locks and latches on windows and doors must be secure and operate as intended. Windows, doors, walls, ceilings and other building materials must be of sufficient strength and construction to provide the level of protection expected. A reevaluation must be done during and after any construction activity. An evaluation by the fire and/or police department is highly recommended if this service is available.

### Inadequate testing

Most problems that would prevent an alarm system from operating as intended can be found by regular testing and maintenance. The complete system should be tested weekly and immediately after a break-in,

an attempted break-in, a fire, a storm, an earthquake, an accident, or any kind of construction activity inside or outside the premises. The testing should include all sensing devices, keypads, consoles, alarm indicating devices, and any other operational devices that are part of the system.

### Insufficient time

There may be circumstances when the system will operate as intended, yet the occupants will not be protected from an emergency due to their inability to respond to the warnings in a timely manner. If the system is remotely monitored, the response may not occur in time to protect the occupants or their belongings.

### Motion detectors

Motion detectors can only detect motion within the designated areas as shown in their respective installation instructions. They cannot discriminate between intruders and intended occupants. Motion detectors do not provide volumetric area protection. They have multiple beams of detection and motion can only be detected in unobstructed areas covered by these beams. They cannot detect motion which occurs behind walls, ceilings, floors, closed doors, glass partitions, glass doors or windows. Any type of tampering whether intentional or unintentional such as masking, painting, or spraying of any material on the lenses, mirrors, windows or any other part of the detection system will impair its proper operation. Passive infrared motion detectors operate by sensing changes in temperature. However their effectiveness can be reduced when the ambient temperature rises near or above body temperature or if there are intentional or unintentional sources of heat in or near the detection area. Some of these heat sources could be heaters, radiators, stoves, barbecues, fireplaces, sunlight, steam vents, lighting and so on.

### Power failure

Control units, intrusion detectors, smoke detectors and many other security devices require an adequate power supply for proper operation. If a device operates from batteries, it is possible for the batteries to fail. Even if the batteries have not failed, they must be charged, in good condition and installed correctly. If a device operates only by AC power, any interruption, however brief, will render that device inoperative while it does not have power. Power interruptions of any length are often accompanied by voltage fluctuations which may damage electronic equipment such as a security system. After a power interruption has occurred, immediately conduct a complete system test to ensure that the system operates as intended.

### Security and insurance

Regardless of its capabilities, an alarm system is not a substitute for property or life insurance. An alarm system also is not a substitute for property owners, renters, or other occupants to act prudently to prevent or minimize the harmful effects of an emergency situation.

### Smoke detectors

Smoke detectors that are a part of this system may not properly alert occupants of a fire for a number of reasons, some of which follow. The smoke detectors may have been improperly installed or positioned. Smoke may not be able to reach the smoke detectors, such as when the fire is in a chimney, walls or roofs, or on the other side of closed doors. Smoke detectors may not detect smoke from fires on another level of the residence or building. Every fire is different in the amount of smoke produced and the rate of burning. Smoke detectors cannot sense all types of fires equally well. Smoke detectors may not provide timely warning of fires caused by carelessness or safety hazards such as smoking in bed, violent explosions, escaping gas, improper storage of flammable materials, overloaded electrical circuits, children playing with matches, or arson. Even if the smoke detector operates as intended, there may be circumstances when there is insufficient warning to allow all occupants to escape in time to avoid injury or death.

---

**Telephone lines**

If telephone lines are used to transmit alarms, they may be out of service or busy for certain periods of time. Also an intruder may cut the telephone line or defeat its operation by more sophisticated means which may be difficult to detect.

**Warning devices**

Warning devices such as sirens, bells, horns, or strobes may not warn people or waken someone sleeping if there is an intervening wall or door. If warning devices are located on a different level of the residence or premise, then it is less likely that the occupants will be alerted or awakened. Audible warning devices may be interfered with by other noise sources such as stereos, radios, televisions, air conditioners, other appliances, or passing traffic. Audible warning devices, however loud, may not be heard by a hearing-impaired person.

---

## IMPORTANT

This installation manual shall be used in conjunction with the control panel installation manual available online from the DSC website at [www.dsc.com](http://www.dsc.com). All the safety instructions specified within that manual shall be observed. The control panel is referenced as the “panel” throughout this document. This installation guide provides the basic wiring, programming and troubleshooting information.

The alarm communicator is a fixed, wall-mounted unit, and shall be installed in the location specified in these instructions. The alarm communicator module should NOT be installed inside of the metal alarm panel casing; doing so will significantly impair cellular and RF (Z-Wave) transmissions. The equipment enclosure must be fully assembled and closed, with all the necessary screws/tabs, and secured to a wall before operation. Internal wiring must be routed in a manner that prevents:

- Excessive strain on wire and on terminal connections,
- Interference between power limited and non power limited wiring,
- Loosening of terminal connections, or
- Damage of conductor insulation.

**WARNING: Never install this equipment during a lightning storm.**

## Safety information

The installer must instruct the system user on each of the following:

- Do not attempt to service this product. Opening or removing covers may expose the user to dangerous voltages or other risks.
- Any servicing shall be referred to service persons only.
- Use authorized accessories only with this equipment.
- Do not stay close to the equipment during device operation.
- Do not touch the external antenna.

## Alarm.com introduction

The purpose of this guide is to provide installation and operating instructions for the Alarm.com communicator module. The following sections offer you a brief overview of its capabilities. Some capabilities and features vary based on the Alarm.com service plan selected. Visit [www.alarm.com/Dealer](http://www.alarm.com/Dealer) or contact Alarm.com for more information.

**Note:** The Dual Path IP/HSPA 3G module is available in the model TL8803GI-EU.

**Note:** Image sensor functionality may not be enabled in all regions.

The module TL8803GI-EU contains the IP/Radio subassembly and the PC-Link to RS422 conversion interface. The module is compatible only with NEO Alarm Control Unit models HS2128, HS2064, HS2032 and HS2016 software versions 1.1 and above.

## IP/HSPA 3G module - TL8803GI-EU

The Dual Path module enables wireless reporting of all alarms and other system events from the DSC Neo control panel using an all-digital, HSPA wireless (cellular) network or an Ethernet network. The module can be used as the primary communication path for all alarm signaling, or as a backup to a telephone connection to the central monitoring station. The wireless alarm signaling and routing service is operated by Alarm.com. The HSPA module also features integrated support for Alarm.com’s home automation solution with built-in Z-Wave capabilities.

**Note:** Alarm.com’s home automation solution with built-in Z-Wave capabilities is not EN50131-1:2006/A1:2009 and EN50136-1:2012 evaluated.

---

## Contact information

For additional information and support on Alarm.com modules, initial account setup, home automation, and all other Alarm.com products and services, please visit: [www.Alarm.com/dealer](http://www.Alarm.com/dealer) or contact Alarm.com technical support at: 1-866-834-0470.

## Features

- 128-bit AES encryption using cellular and Internet
- Back-up or primary cellular alarm communication and Ethernet port
- Automatically switches to 2G (EDGE/GPRS) if HSPA (3G) service is not available
- Full event reporting to central station
- Cellular periodic test transmission
- Integrated call routing
- Panel remote uploading/downloading support using cellular or Internet
- PC-LINK connection
- Programmable labels
- SIA and Contact ID (CID) formats supported
- Signal strength and trouble display LEDs
- Subscriber Identity Module (SIM) card included with communicator
- Supervision heartbeats sent using cellular
- 2-way audio capable when used with audio module HSM2955(R). - Refer to HSM2955(R) manual

## Communicator ratings

Model	TL8803GI-EU
<b>Power supply ratings</b>	
Input Voltage	11.3 V - 12.5 V DC (provided by DSC NEO compatible control panel)
<b>Current consumption</b>	
Standby Current (Average Value)	100 mA @12 V (I)
Alarm (Transmitting) Current (Peak Value)	200 mA @ 12V (I)
Cellular Network	HSPA 3G
Operating Frequency	Quad Band GSM/GPRS/EDGE + HSPA in 850/900/2100 MHz
<b>Environmental specifications</b>	
Operating Temperature	-10°C to 55°C
Storage Temperature	-34°C to 60°C
Humidity	93% RH non-condensing
<b>Mechanical specifications</b>	
Dimensions	6" x 8.9" x 1.3"
Weight	365 g (I)

---

## Communicator compatibility

Communicator	Receiver/ Panel	Description
TL8803GI-EU	Receiver	<ul style="list-style-type: none"><li>• Sur-Gard System I-IP Receiver, version 1.13+</li><li>• Sur-Gard System II Receiver, version 2.10+</li><li>• Sur-Gard SG-DRL3-IP, version 2.30+ (for Sur-Gard System III Receiver)</li><li>• Sur-Gard SG-DRL4-IP version 1.20+ (for Sur-Gard System IV Receiver)</li><li>• Sur-Gard SG-DRL5-IP version 1.00+ (for Sur-Gard System 5 Receiver)</li></ul>
	Panel	<ul style="list-style-type: none"><li>• HS2016, version 1.1+</li><li>• HS2032, version 1.1+</li><li>• HS2064, version 1.1+</li><li>• HS2128, version 1.1+</li></ul>

**Note:** Enter [\*][8][Installer Code][900][000] at keypad to view the panel version number.

Products or components of products, which perform communications functions only complies with the requirements applicable to communications equipment as specified in EN60950-1, Information Technology Equipment - Safety - Part 1: General Requirements. Such components include, but are not limited to: hubs; routers; NIDs; third-party communications service providers; DSL modems; and cable modems.

## INSTALLATION

Follow these guidelines during installation:

- Before affixing the communicator to a wall, verify the HSPA signal level at the installation location. On a keypad, press and hold the 5 key for 2 seconds to view the HSPA signal level. An installation location with a sustained signal level of two or more bars is recommended.
- Do not exceed the total output power of the panel when using panel power for the TL8803GI-EU module, hardwired sensors, and / or sirens. Refer to the specific panel installation instructions for details. Only one module can be used per panel.
- To minimize potential interference with cellular signaling, avoid mounting the communicator in areas with excessive metal or electrical wiring, such as furnaces or utility rooms.

Do not mount the TL8803GI-EU communicator inside of the metal alarm panel enclosure.

### Tools and supplies required

You need the following tools and supplies:

- Small flat-head and Phillips screwdrivers
- Screws (included)
- Antenna (included)
- 16 pin ribbon cable (included)

### Mounting Instructions

Before fixing the equipment to the wall, verify the HSPA signal level available at the installation location is strong.

Mount the TL8803GI-EU in a dry, secure, non-hazardous location.

To wall mount:

1. Insert a flathead screwdriver into the slots and pry up to remove the front cover.

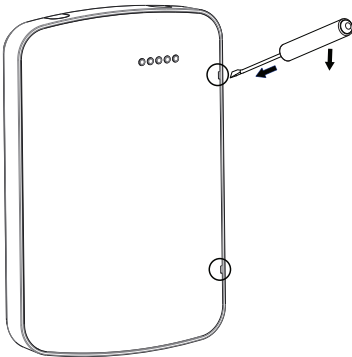


Figure 1 - Removing the front cover

2. For surface-run wires, remove the two breakaway tabs at the side of the backplate.
3. Route the RS422 and Ethernet cables through the retaining clips as shown in figure 2. Run the wires in the direction indicated by the arrows.

**Note:** For information on control panel power specifications, refer to the control panel installation manual.

**Caution:** Route all the wiring according to local codes and regulations.



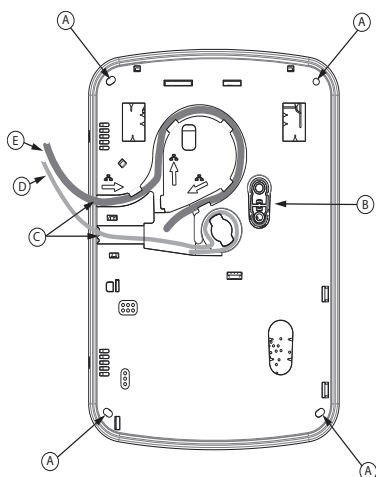


Figure 2 - TL8803GI-EU backplate

### TL880

- A: Mounting holes
- B: Wall tamper plate
- C: Breakaway tabs
- D: RS422 cable
- E: Ethernet cable

4. Secure the backplate to the wall using the four mounting holes. (See figure 2)

**Note:** Use all four screws provided. Use the plastic anchors if mounting on drywall. If using the tamper, secure the tamper plate to the wall with a screw.

## Step 1: Enable module

For the Alarm.com module to communicate with the panel, section [382] option 5 at the panel must be set to ON. This section is OFF by default and must be enabled for the system to function properly. This must be done before connecting the PC-Link cable to power up the module to ensure all initialization commands are processed properly.

## Step 2: Connect the TL8803GI-EU

**Caution:** Ensure that the alarm panel is fully powered down (i.e., AC and battery disconnected) prior to connecting the TL8803GI-EU.

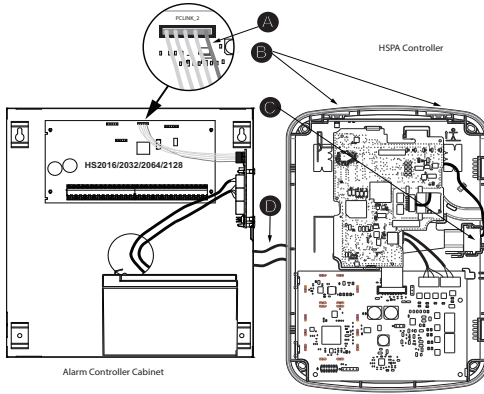


Figure 3 - HSPA controller and alarm controller cabinet

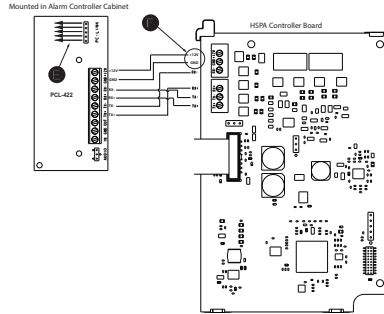


Figure 4 - HSPA controller board and alarm controller cabinet

A	Red wire on alarm controller PCLink2 Header
B	Antenna access ports
C	Ethernet cable connection
D	Quad cables (100' / 30m maximum)
E	Red wire on PCL-422 PCLink Header
F	HSPA Controller Board power terminals. Can be connected to power supply module (HSM2204/2300).

## 1: Connect data bus

The maximum cable length permitted for the data bus is 100ft/30m.

- Connect the **RX+** terminal on the TL8803GI-EU to the **TX+** terminal on the PCL-422
- Connect the **RX-** terminal on the TL8803GI-EU to the **TX-** terminal on the PCL-422
- Connect the **TX-** terminal on the TL8803GI-EU to the **RX-** terminal on the PCL-422
- Connect the **TX+** terminal on the TL8803GI-EU to the **RX+** terminal on the PCL-422

---

## 2: Connect power

The maximum cable length permitted for the power connection is 100ft/30m.

- Connect the **GND** terminal on the TL8803GI-EU to the **GND** terminal on the PCL-422
- Connect the **+12V** terminal on the TL8803GI-EU to the **+12V** terminal on the PCL-422

## 3: Connect the PC-Link cable

**Note:** To ensure correct orientation, refer to items A and D in the wiring diagrams for the proper position of the red wire on the PC-link cable.

- Connect one end of the supplied PC-Link cable to the PC-Link header on the PCL-422
- Connect the other end of the PC-Link cable to the PC-LINK\_2 header on the alarm panel

## 4: Connect Ethernet (optional)

**Note:** Refer to item C in the wiring diagram for the correct placement of the Ethernet cable.

A Category 5 (CAT 5) Ethernet cable must be run from a source with Internet connectivity to the communicator module, inside the TL8803GI-EU. The communicator end of the cable must be terminated with an RJ45 plug.

- Connect one end of the Ethernet cable to the Ethernet port on the communicator
- Connect the other end of the Ethernet cable to the Ethernet port on the router and verify that the link status LED is on.

All requirements for installation of CAT5 Ethernet cable must be observed for correct operation of the communicator, including but not limited to the following requirements:

- Do NOT strip off cable sheathing more than required for proper termination.
- Do NOT kink or knot the cable.
- Do NOT crush the cable with cable ties.
- Do NOT untwist CAT5 pairs more than 1/2 inch (1.2 centimeters).
- Do NOT splice the cable.
- Do NOT bend the cable at right angles or make any other sharp bends.

**Notes:**

- CAT5 specification requires that any cable bend must have a minimum 2 inches (5 centimeters) bend radius. The maximum length of CAT5 cable is 328 feet (100 meters).
- Before leaving the premises, the Ethernet communication lines must first be connected to an approved (acceptable to local authorities) type NID. All wiring must be performed according to the local electrical codes.

## 5: Connect external antenna (optional)

Upgraded antennas are available for the TL8803GI-EU if there is inadequate cellular reception at the preferred mounting location. Contact DSC technical support for antenna options.

The TL8803GI-EU has two covered access ports on the top of the enclosure. Remove the plastic tab covering the desired port and either mount the antenna on the enclosure or use the opening to pass through the antenna cable.

**Note:** Due to the curvature of the enclosure, the plastic port covers are NOT interchangeable. Ensure that any unused ports are covered with their original plastic tab.

**Warning:** The external antenna must be installed in a manner to prevent end users from accessing any conductive part of the antenna or antenna cable (i.e., recessed mounting or equivalent).

## 6: Power up

Connect panel battery and AC power. Once powered, view key items on the LCD. Ensure that the module is fully connected to the alarm panel using quad cable as shown in wiring diagram.

### Step 3: Verify installer code to activate Alarm.com module

Alarms and other signals are not sent to Alarm.com until the installer code is verified. To activate the account, perform the following steps:

1. Connect the Alarm.com module to the panel. Ensure [382] option 5 is ON.
2. Press [\*][8] to enter Installer Programming.
3. Enter the installer code.
4. Press [#] to exit Installer Programming.

To remotely activate a system that is already signaling, complete the following steps:

1. Go to [www.alarm.com/dealer](http://www.alarm.com/dealer).
2. Go to the customer's account.
3. Select the error message at the top of the page.
4. Enter the installer code.

### Step 4: Perform dual-path test (module registration)

To initiate module communication with Alarm.com and the cellular network for the first time, perform a “Dual-Path phone test”. Note that the test can also be used at any time by the installer to force communication with Alarm.com. To test the cellular path, press and hold [3] for two seconds. To test the broadband path, press and hold [4] for two seconds. A Dual-Path test can also be completed through the Interactive Services menu. To perform the Dual-Path test, press [\*][6] followed by the master code and [04].

The panel indicates when the test has completed by activating the siren output on medium volume for 2 seconds followed by full volume for 2 seconds. However, if the test was initiated via the [3] or [4] key, or through the Interactive Services menu, the siren does not sound. All display lights and LCD pixels turn on. This indicates that Alarm.com has received and acknowledged the signal. This does not guarantee that the signal went through to a central station; it confirms that Alarm.com’s Network Operations Center received the signal. The central station should be contacted directly to verify that the signal was received on the correct account and that the central station routing settings have been set up correctly. If the signal does not go through to the central station, the panel displays a “Failure to Communicate” message. Double check the account’s central station Forwarding Settings on Alarm.com and contact technical support if the trouble persists.

### Step 5: Allow module to auto-program

After a successful dual-path test, wait 2 minutes for the module to automatically program and initialize before entering the Installer Programming menus. Entering Installer Programming during module initialization will cancel the process. LCD keypads display a message indicating when auto-programming is occurring and when it has completed. During the auto-programming session, the module automatically programs panel settings required for proper functionality with Alarm.com as noted in the “Panel Settings” section.

## Enroll Alarm.com Image Sensor

**Note:** This feature can be enabled or disabled on the product. Check with your installer if this feature is activated in your application.

Alarm.com's Image Sensor built-in capability is not UL evaluated.

---

1. Ensure batteries are removed from the sensor.
2. On the panel, enter the Interactive Services menu. Interactive Services can be accessed, using section [851] of Installer Programming.
3. Press [\*][8] [**Installer Code**] [851].
4. Scroll to Image Sensor Setup and press [\*].
5. Scroll to Learn Image Sensor and press [\*]. The keypad displays “Power up or reset I.S. now.”
6. Insert the batteries into the sensor. Wait approximately 20 seconds for the control panel screen to display: “I.S. [x] Added as Sensor [y].” The LED on the sensor turns solid for 5 seconds once the sensor has enrolled.
7. Perform another panel comm-test to ensure that Alarm.com receives the updated device equipment list. This speeds up the sensor initialization process.
  - The zone is configured as a virtual zone and programmed automatically into the next available slot in section [560][001]-[032] starting at zone 126 and counting down for each additional Image Sensor added.
  - Once enrolled, the Image Sensor will appear as a normal zone.
  - By default, the Image Sensor is enrolled as an Interior Stay/Away zone in zone type 005. Zone type and attributes can be assigned in the installer menu, in a similar way as regular zones. For more information, refer to the "Zone Setup" section of the PowerSeries Neo Alarm Controller Reference Manual.

## Panel settings

### Central station and telephone line settings

Central station and telephone line settings are automatically configured through the CS Forwarding Settings page of the Alarm.com Dealer Site. The following are the panel settings that are configured through the Dealer Site page (when required) and must not be configured in the panel:

Section	Option	Description
015	7	Telephone line monitoring
300 [001]	--	Panel Communication Path - Receiver 1
300 [002]	--	Panel Communication Path - Receiver 2
300 [003]	--	Panel Communication Path - Receiver 3
300 [004]	--	Panel Communication Path - Receiver 4
301 [001]	--	Communication telephone number 1
301 [002]	--	Communication telephone number 2
301 [003]	--	Communication telephone number 3
301 [004]	--	Communication telephone number 4
309 [001]	--	System Call Direction - Maintenance
309 [002]	--	System Call Direction - Test Transmission
310 [000]	--	System account number
310 [001]	--	Partition 1 account number
310 [002]	--	Partition 2 account number
310 [003]	--	Partition 3 account number
310 [004]	--	Partition 4 account number
310 [005]	--	Partition 5 account number
310 [006]	--	Partition 6 account number
310 [007]	--	Partition 7 account number
310 [008]	--	Partition 8 account number

Section	Option	Description
311 [001]	–	Partition 1 Call Direction - Alarm/Restore
311 [002]	–	Partition 1 Call Direction - Tamper/Restore
311 [003]	–	Partition 1 Call Direction - Opening/Closing
312 [001]	–	Partition 2 Call Direction - Alarm/Restore
312 [002]	–	Partition 2 Call Direction - Tamper/Restore
312 [003]	–	Partition 2 Call Direction - Opening/Closing
313 [001]	–	Partition 3 Call Direction - Alarm/Restore
313 [002]	–	Partition 3 Call Direction - Tamper/Restore
313 [003]	–	Partition 3 Call Direction - Opening/Closing
314 [001]	–	Partition 4 Call Direction - Alarm/Restore
314 [002]	–	Partition 4 Call Direction - Tamper/Restore
314 [003]	–	Partition 4 Call Direction - Opening/Closing
315 [001]	–	Partition 5 Call Direction - Alarm/Restore
315 [002]	–	Partition 5 Call Direction - Tamper/Restore
315 [003]	–	Partition 5 Call Direction - Opening/Closing
316 [001]	–	Partition 6 Call Direction - Alarm/Restore
316 [002]	–	Partition 6 Call Direction - Tamper/Restore
316 [003]	–	Partition 6 Call Direction - Opening/Closing
317 [001]	–	Partition 7 Call Direction - Alarm/Restore
317 [002]	–	Partition 7 Call Direction - Tamper/Restore
317 [003]	–	Partition 7 Call Direction - Opening/Closing
318 [001]	–	Partition 8 Call Direction - Alarm/Restore
318 [002]	–	Partition 8 Call Direction - Tamper/Restore
318 [003]	–	Partition 8 Call Direction - Opening/Closing
350 [001]	–	Receiver 1 communicator format
350 [002]	–	Receiver 2 communicator format
384	2	Communicator backup options

## Notifications

The following panel settings may alter the behavior of customer notifications:

Section	Option	Description
015	4	If this option is ON, keyfob arming notifications are not associated with a specific user.

## Panel settings changed automatically

Some panel settings are changed automatically when the module is connected to the control panel. These settings must not be altered. They are:

Section	Option	Value	Description
015	6	OFF	Master code is not changeable and must be OFF to ensure the module communicates the correct master code.

Section	Option	Value	Description
017	6	OFF	Daylights saving time must be disabled to ensure panel time is accurate.
019	6	Set according to dealer's Alarm.com setting	Enables Duress Code changes from Alarm.com.
024	5	OFF	Realtime clock must be disabled to ensure panel time is accurate.
377	Swinger Shutdown (Maintenance)	010	Swinger Shutdown for maintenance signals should be set to 010 to ensure trouble notifications can be sent.
377	AC Failure Communication Delay	Random value between 001 and 030	AC Failure Communication Delay should be set between 001 and 030 to ensure notifications for power failures are received.
377	Wireless Device Low Battery Transmission Delay	001	Wireless Device Low Battery Transmission Delay should be set to 001 to ensure notifications for low batteries are received.
380	1	ON	Communications must be enabled for the module to communicate with the panel.
380	2	OFF	System should transmit alarm restores immediately when the zone is restored.
380	5	OFF	The redundant communications method must be set as backup.
382	6	OFF	AC Failure Transmission Delay must be in minutes.
804 [sensor #]	003	Five minute delay [07]	High Traffic Shutdown must be set to five minutes for devices being used with Alarm.com's Activity Monitoring. <b>Note:</b> This feature can reduce the battery life of wireless PIR sensors. In order to avoid this, hardwired PIR sensors can be used instead.

## Clock

The TL8803GI-EU module sets the panel clock when it connects to Alarm.com and then updates it every 18 hours. It is important to select the correct panel time zone on the Alarm.com website, or the panel time will not be accurate. If a system is powered up before the customer account has been created, the time zone will default to **Eastern Standard Time**.

## TROUBLESHOOTING

### Module status information

Module status information for verifying and troubleshooting the module connection status or errors can be found through the Interactive Services menus. To access these, press [\*][8][Installer Code][851]. See the following table for potential module states.

Status	Description
Idle	Most common state. Module is not actively sending data and no errors are present.
Roaming	Roaming on partner network.
SIM Missing	The SIM card is missing.
PowerSave Mode	AC power is down.
Registering...	The module is trying to register on the HSPA network.
Connection Error	The module is registered on the HSPA network but cannot connect with Alarm.com. Contact Alarm.com technical support for more information.
Radio Error	Radio portion of the module is not operating correctly. Power cycle the panel and call Alarm.com technical support if the trouble persists.
Server Error	Identifies a server error. If it persists, the account may have been set up incorrectly.
Connected	Currently connected and transmitting information to the Alarm.com servers.
Connecting...	In the process of connecting to Alarm.com.
Updating...	Updating signal level.

In addition, some of the information can be retrieved using long key presses from the keypad. Press and hold the following panel keys for 2 seconds to display the given information on the panel display. Most messages are displayed for less than 30 seconds but can be cut short by pressing the 0 Key for 2 seconds.

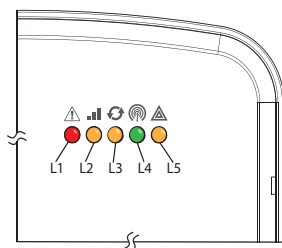
Status keys	Description
1 key	10-digit module serial number needed to create the Alarm.com customer account.
2 key	Module firmware version (e.g., 181a).
3 key	Initiate communication test over the cellular path. <b>Important:</b> This test is required to correctly complete the installation.
4 key	Initiate communication test over the broadband path.
5 key	Wireless signal strength level and module status or error, if any. The panel displays the signal level in bars (0 to 5) and as a numerical value (0 to 31) followed by the connection mode.
6 key	Battery voltage as read by the module, to two decimal places, and the AC power status. (e.g., Battery: 6.79v, AC Power OK).
7 key	Use only when instructed by Alarm.com Technical Support.
8 key	HSPA frequency used by the module: "High" = 900MHz, 2100MHz; "Low" = 850 MHz. The panel specifies either "3G" or "2G" depending on your coverage, but always attempt to go to 3G coverage.

### Troubleshooting LEDs

Status LEDs indicate network and module status. The following figure shows the location of the status LEDs on the TL8803GI module.



## Status LEDs



## LED functions

LED	Function
1	General & Cellular Error LED. Flashes 1 to 8 times in an 8-second interval to indicate specific error. See section "LED L1 (red)" for errors and common fixes.
2	Broadband Errors & Panel Communication. Flashes 2 to 8 times in an 8-second interval to indicate a specific error on the broadband path. Also flashes once every time the module communicates with the panel. See section "LED L2 (yellow)" for errors and common fixes.
3	Cellular Communication. Flashes every time the cellular signal level is checked and when packets are exchanged with Alarm.com
4	Cellular Signal Strength Level. Flashes 0 to 5 times to indicate signal strength or toggles on/off slowly when communicating with Alarm.com servers
5	Z-Wave Status & Error LED. See section "LED L5 (yellow)" for patterns.

## LED details

### LED L1 (red)

L1 flashes when there is a general error or an error on the cellular path. The number of flashes indicates the error number. If there are two or more errors at the same time, the errors will flash one after the other. The LED will stay off for at least four seconds between errors.

Number of flashes	Error and solution
1	Module cannot communicate with the panel. Ensure section [382] option [5] is ON. Verify panel software is version 1.1 or higher. Check the connectors (between the panel and communicator) and powercycle the panel. If the error persists, there can be an issue with the module or panel.
2	The SIM card is missing. The SIM card holder can be found on the module. Verify that the SIM card holder is closed securely and that there is a SIM card in the holder.
3	The module is trying to register on the HSPA network. If it persists for more than a few minutes, the module is having problems registering with the HSPA network. Check L4 for signal level. If signal level is lower than 2 "bars", change the panel's location or use a remote antenna option. If the signal is good, the module can be roaming on a HSPA network that does not partner with our HSPA providers, or the SIM card was not activated yet because the Alarm.com account was not created correctly.

Number of flashes	Error and solution
4	The module is registered on the HSPA network but cannot connect with Alarm.com. Power down the module, wait one minute, restore power and perform a communications test. Verify signal strength and try a different location for the module/antenna. If the problem persists, contact Alarm.com Technical Support.
5	Radio portion of the module is not working correctly. If this persists for more than a few minutes the module may need to be replaced. This error is extremely rare so verify that the module is flashing 5 times.
6	This is an error only if it persists for more than a minute. Otherwise, it is just an indication that the module is fixing an unusual condition regarding communication with the HSPA network.
7	The module is not compatible with this panel type. Please insert a compatible module.
8	If it persists, the account may have been set up incorrectly. Contact Alarm.com Technical Support. You will be asked to check the serial number of the module.

### LED L2 (yellow)

LED L2 indicates an error on the Broadband path and also flashes with every communication between the module and the panel when there is no error condition present. Normal pattern calls for a series of quick flashes every two seconds in Idle mode or four seconds in PowerSave mode.

Number of flashes	Error and solution
1	Flashes for each communication with the panel, except when LED is displaying a broadband error. This is normal behavior.
2	The module cannot establish a connection with the router. Verify the physical connection/wiring to the router. Verify MAC filtering is disabled on the router or add the module's MAC to the allowed list of MACs on the router. Verify that DHCP is enabled on the router.
3	The module cannot establish a connection with the internet. Verify other devices on the same network can connect, that the panel has AC power, and that there are no special firewall or network management settings running on the router.
4	The module cannot establish communication with Alarm.com. Contact Alarm.com Tech Support.
6	The Alarm.com backend cannot reach module due to an error with the local firewall blocking signals from reaching the module.

### LED L3 (yellow)

L3 flashes with every communication between the module and its radio unit in Idle mode, and with every communication with Alarm.com in Connected mode. In PowerSave mode, this LED flashes in unison with LED 2.

### LED L4 (green)

L4 indicates the HSPA signal level as a number of flashes (0 to 5 bars). The number of bars may not correspond to the bars shown on your cell phone. A level of 5 bars is obtained only in the strongest signal conditions.

Signal level is updated every ten seconds if it fluctuates, or every 30 seconds if it is fairly stable. If L4 is not flashing it indicates one of the following states:

- The module is in PowerSave mode
- The module just powered up
- There is no HSPA coverage in the area. Alarm.com recommends a steady signal level of 2 or higher for proper operation of the module

**Note:** In Connected Mode, the LED toggles on and off.

## LED L5 (yellow)

LED L5 indicates Z-Wave state and errors. See the table below for more information.

Number of flashes	Device status or error
1	Successfully added/removed node (last 60 seconds)
2	Delete Mode
3	Add node attempt failed (last 60 seconds) because device already in network
4	Add Mode
5	Replicate Mode
6	Learn Mode Error (lasts 60 seconds)
7	No Node Info
8	No other nodes are in the network

## Various module states (modes)

There are four module states, or modes, as described in the following table:

Mode	Description
Idle	AC power is correct and the module is not currently talking to Alarm.com. L1 - Flashes general or cellular errors, if any L2 - Flashes broadband errors, if any; Communication with panel L3 - Communication with radio unit L4 - Signal level (0 to 5 bars) L5 - Flashes Z-Wave state or errors, if any
PowerSave	The module just powered up, AC power is down, or AC power is recently restored and the battery is recharging. The module is fully functional and goes into Connected mode as soon as a signal needs to be sent. Press and hold the 5 Key for 2 seconds to switch the module into Idle mode and update the signal level reading. The system goes into Idle mode every 2 hours to check for any incoming messages. L1 - Inactive L2 - Communication with panel L3 - Same flashing pattern as L2 L4 - Inactive L5 - Inactive
Connected	The module is currently talking to Alarm.com. The module stays in Connected mode for at least four minutes after reporting an event to Alarm.com, unless the 5 Key is pressed and held for 10 seconds, which causes the module to go back to Idle mode. L1 - Flashes general or cellular errors, if any L2 - Flashes broadband errors, if any; Communication with panel L3 - Communication with Alarm.com L4 - Alternates two seconds on, and then two seconds off L5 - Flashes Z-Wave state or errors, if any
Sleep	The panel is not connected to AC power, or there is an AC power failure, and the battery level is low. The module connects to Alarm.com to send a signal, but otherwise draws almost no power.

**Note:** If the TL8803GI module is powered down for a short period of time, buffered messages from Alarm.com can be received when module power is restored.

## Improving wireless signal strength

As you make changes to the module location to improve signal strength, request updated signal readings to verify changes. To request an updated reading, press and hold the “5” key for 2 seconds. In the image below, the radio has 3 out of 5 bars or 13/31 and is connected to the network.

```
Radio: 123 ___ 13  
Connected
```

Guidelines for optimal wireless signal strength:

- Install the module above ground level, as high up as possible within the structure.
- Install the module near or adjacent to an exterior-facing wall of the structure.
- Do not install the module inside a metal structure or close to large metal objects or ducts.
- Upgrade the antenna. Contact DSC technical support for antenna options.

## Walking the customer through new user setup on the web

This section describes how to help your customer set up their website account, and only applies to customers on an interactive service plan with an online account. (Skip this step for customers using the module for wireless signaling only).

Before the customer can configure their website account, the Alarm.com account for that customer must be created on the Dealer Site, and the HSPA module associated with the account must be installed successfully.

To log in and access their account, the customer can go to [www.alarm.com](http://www.alarm.com) (or custom dealer website address) to complete the new subscriber setup procedure.

The customer needs the following:

- The web site login and temporary password included on the Alarm.com Welcome Letter, which is generated when the account was created by the dealer
- A list of their system sensors with corresponding zone IDs
- At least one phone number and e-mail address where notifications can be sent

**Note:** At least one sensor must be learned into the panel to complete the new subscriber setup. If not all sensors and touch screens were learned in before powering up the module, an updated sensor list must be requested by performing a HSPA phone test or requesting an updated equipment list from the Dealer Site.

## INTERACTIVE SERVICE MENU

### Interactive menus

The “Interactive Services” menu can be used to access information about the TL8803GI module, install or remove Z-Wave devices and configure or troubleshoot other interactive features.

The menu times out after 20 minutes. Refer to the following tables for the menu options.

### Installer programming

Press [\*][8][Installer Code][851] to enter Interactive Services menu.

Menu	Description
--Alarm.com Module Status	Scroll down through the various Alarm.com module information screens.
--Radio	Signal level, connection status, roaming status, and errors (if any)
--HSPA Freq.	HSPA frequency used by the module.
--SN	Module serial number. Needed to create or troubleshoot an Alarm.com account.
--SIM Card	SIM card number. Sometimes needed to troubleshoot an account. Not applicable to CDMA radios.
--Version	TL8803GI module firmware version and sub-version. Example: 181a; 181 = module firmware version, a = subversion.
--Advanced - Network	Use only when instructed by Alarm.com Technical Support.
--Z-Wave Setup <sup>1</sup>	This menu is used to add, remove, and troubleshoot Z-Wave devices and networks. To control Z-Wave devices via the Alarm.com website and smart phone apps, you also need to enable Z-Wave services on the account.
--Number of Z-Wave Devices <sup>2</sup>	The total number of Z-Wave devices currently known to the module.
--Add Z-Wave Device <sup>1</sup>	Press [*] to enter Z-Wave Add Mode. Make sure the device being added is powered up and within 3 to 6 feet of the panel. Refer to the manufacturer's instructions for button presses required to enroll devices.
--Remove Z-Wave Device <sup>1</sup>	Press [*] to remove an existing Z-Wave device, or to “reset” a Z-Wave device that was previously learned into a different Z-Wave network. Previously enrolled devices must be reset before they can be enrolled into the module.
--Z-Wave Home ID <sup>1</sup>	Press [*] to query the Z-Wave network Home ID. If the ID is 0, verify that the module has communicated with Alarm.com and that the Alarm.com account is set up for Z-Wave.
--Extended Range Option	Press [*] to enable/disable extended range
--Communications Test	Press [*] to perform ADC communication test

### User functions

Press [\*][6][Master Code] to enter User Functions menu. Then scroll to Interactive Services.

Menu	Description
--Alarm.com Module Status	See Installer Programming section
--Radio	See Installer Programming section
--HSPA Freq.	See Installer Programming section

<b>Menu</b>	<b>Description</b>
--SN	See Installer Programming section
--SIM card	See Installer Programming section
--Version	See Installer Programming section
--Advanced - Network	See Installer Programming section
--Z-Wave Setup <sup>1</sup>	See Installer Programming section
--Number of Z-Wave Devices <sup>1</sup>	See Installer Programming section
--Add Z-Wave Device <sup>1</sup>	See Installer Programming section
--Remove Z-Wave Device <sup>1</sup>	See Installer Programming section
--Z-Wave Home ID <sup>1</sup>	See Installer Programming section
--Communication Test	See Installer Programming section

<sup>1</sup> Refer to the Home Automation installation instructions and guides on the Alarm.com Dealer Site for more information on Z-Wave enrollment and troubleshooting.

## Limited Warranty

Digital Security Controls warrants the original purchaser that for a period of twelve months from the date of purchase, the product shall be free of defects in materials and workmanship under normal use. During the warranty period, Digital Security Controls shall, at its option, repair or replace any defective product upon return of the product to its factory, at no charge for labour and materials. Any replacement and/or repaired parts are warranted for the remainder of the original warranty or ninety (90) days, whichever is longer. The original purchaser must promptly notify Digital Security Controls in writing that there is a defect in material or workmanship, such written notice to be received in all events prior to expiration of the warranty period. There is absolutely no warranty on software and all software products are sold as a user license under the terms of the software license agreement included with the product. The Customer assumes all responsibility for the proper selection, installation, operation and maintenance of any products purchased from DSC. Custom products are only warranted to the extent that they do not function upon delivery. In such cases, DSC can replace or credit at its option.

## International Warranty

The warranty for international customers is the same as for any customer within Canada and the United States, with the exception that Digital Security Controls shall not be responsible for any customs fees, taxes, or VAT that may be due.

## Warranty Procedure

To obtain service under this warranty, please return the item(s) in question to the point of purchase. All authorized distributors and dealers have a warranty program. Anyone returning goods to Digital Security Controls must first obtain an authorization number. Digital Security Controls will not accept any shipment whatsoever for which prior authorization has not been obtained.

## Conditions to Void Warranty

This warranty applies only to defects in parts and workmanship relating to normal use. It does not cover:

- damage incurred in shipping or handling;
- damage caused by disaster such as fire, flood, wind, earthquake or lightning;
- damage due to causes beyond the control of Digital Security Controls such as excessive voltage, mechanical shock or water damage;
- damage caused by unauthorized attachment, alterations, modifications or foreign objects;
- damage caused by peripherals (unless such peripherals were supplied by Digital Security Controls);
- defects caused by failure to provide a suitable installation environment for the products;
- damage caused by use of the products for purposes other than those for which it was designed;
- damage from improper maintenance;
- damage arising out of any other abuse, mishandling or improper application of the products.

## Items Not Covered by Warranty

In addition to the items which void the Warranty, the following items shall not be covered by Warranty: (i) freight cost to the repair centre; (ii) products which are not identified with DSC's product label and lot number or serial number; (iii) products disassembled or repaired in such a manner as to adversely affect performance or prevent adequate inspection or testing to verify any warranty claim. Access cards or tags returned for replacement under warranty will be credited or replaced at DSC's option. Products not covered by this warranty, or otherwise out of warranty due to age, misuse, or damage shall be evaluated, and a repair estimate shall be provided. No repair work will be performed until a valid purchase order is received from the Customer and a

Return Merchandise Authorisation number (RMA) is issued by DSC's Customer Service.

Digital Security Controls's liability for failure to repair the product under this warranty after a reasonable number of attempts will be limited to a replacement of the product, as the exclusive remedy for breach of warranty. Under no circumstances shall Digital Security Controls be liable for any special, incidental, or consequential damages based upon breach of warranty, breach of contract, negligence, strict liability, or any other legal theory. Such damages include, but are not limited to, loss of profits, loss of the product or any associated equipment, cost of capital, cost of substitute or replacement equipment, facilities or services, down time, purchaser's time, the claims of third parties, including customers, and injury to property. The laws of some jurisdictions limit or do not allow the disclaimer of consequential damages. If the laws of such a jurisdiction apply to any claim by or against DSC, the limitations and disclaimers contained here shall be to the greatest extent permitted by law. Some states do not allow the exclusion or limitation of incidental or consequential damages, so that the above may not apply to you.

## Disclaimer of Warranties

**This warranty contains the entire warranty and shall be in lieu of any and all other warranties, whether expressed or implied (including all implied warranties of merchantability or fitness for a particular purpose) And of all other obligations or liabilities on the part of Digital Security Controls Digital Security Controls neither assumes responsibility for, nor authorizes any other person purporting to act on its behalf to modify or to change this warranty, nor to assume for it any other warranty or liability concerning this product.**

**This disclaimer of warranties and limited warranty are governed by the laws of the province of Ontario, Canada.**

Digital Security Controls recommends that the entire system be completely tested on a regular basis. However, despite frequent testing, and due to, but not limited to, criminal tampering or electrical disruption, it is possible for this product to fail to perform as expected.

## Installer's Lockout

Any products returned to DSC which have the Installer's Lockout option enabled and exhibit no other problems will be subject to a service charge.

## Out of Warranty Repairs

Digital Security Controls will at its option repair or replace out-of-warranty products which are returned to its factory according to the following conditions. Anyone returning goods to Digital Security Controls must first obtain an authorization number. Digital Security Controls will not accept any shipment whatsoever for which prior authorization has not been obtained.

Products which Digital Security Controls determines to be repairable will be repaired and returned. A set fee which Digital Security Controls has predetermined and which may be revised from time to time, will be charged for each unit repaired.

Products which Digital Security Controls determines not to be repairable will be replaced by the nearest equivalent product available at that time. The current market price of the replacement product will be charged for each replacement unit.

## End User License Agreement

**IMPORTANT - READ CAREFULLY:** DSC Software purchased with or without Products and Components is copyrighted and is purchased under the following license terms:

This End-User License Agreement ("EULA") is a legal agreement between You (the company, individual or entity who acquired the Software and any related Hardware) and Digital Security Controls, a division of Tyco Safety Products Canada Ltd. ("DSC"), the manufacturer

of the integrated security systems and the developer of the software and any related products or components ("HARDWARE") which You acquired.

If the DSC software product ("SOFTWARE PRODUCT" or "SOFTWARE") is intended to be accompanied by HARDWARE, and is NOT accompanied by new HARDWARE, You may not use, copy or install the SOFTWARE PRODUCT. The SOFTWARE PRODUCT includes computer software, and may include associated media, printed materials, and "online" or electronic documentation.

Any software provided along with the SOFTWARE PRODUCT that is associated with a separate end-user license agreement is licensed to You under the terms of that license agreement.

By installing, copying, downloading, storing, accessing or otherwise using the SOFTWARE PRODUCT, You agree unconditionally to be bound by the terms of this EULA, even if this EULA is deemed to be a modification of any previous arrangement or contract. If You do not agree to the terms of this EULA, DSC is unwilling to license the SOFTWARE PRODUCT to You, and You have no right to use it.

## SOFTWARE PRODUCT LICENSE

The SOFTWARE PRODUCT is protected by copyright laws and international copyright treaties, as well as other intellectual property laws and treaties. The SOFTWARE PRODUCT is licensed, not sold.

**GRANT OF LICENSE** This EULA grants You the following rights:

**Software Installation and Use** - For each license You acquire, You may have only one copy of the SOFTWARE PRODUCT installed.

**Storage/Network Use** - The SOFTWARE PRODUCT may not be installed, accessed, displayed, run, shared or used concurrently on or from different computers, including a workstation, terminal or other digital electronic device ("Device"). In other words, if You have several workstations, You will have to acquire a license for each workstation where the SOFTWARE will be used.

**Backup Copy** - You may make back-up copies of the SOFTWARE PRODUCT, but You may only have one copy per license installed at any given time. You may use the back-up copy solely for archival purposes. Except as expressly provided in this EULA, You may not otherwise make copies of the SOFTWARE PRODUCT, including the printed materials accompanying the SOFTWARE.

## DESCRIPTION OF OTHER RIGHTS AND LIMITATIONS

**Limitations on Reverse Engineering, Decompilation and Disassembly**

- You may not reverse engineer, decompile, or disassemble the SOFTWARE PRODUCT, except and only to the extent that such activity is expressly permitted by applicable law notwithstanding this limitation. You may not make any changes or modifications to the Software, without the written permission of an officer of DSC. You may not remove any proprietary notices, marks or labels from the Software Product. You shall institute reasonable measures to ensure compliance with the terms and conditions of this EULA.

**Separation of Components** - The SOFTWARE PRODUCT is licensed as a single product. Its component parts may not be separated for use on more than one HARDWARE unit.

**Single INTEGRATED PRODUCT** - If You acquired this SOFTWARE with HARDWARE, then the SOFTWARE PRODUCT is licensed with the HARDWARE as a single integrated product. In this case, the SOFTWARE PRODUCT may only be used with the HARDWARE as set forth in this EULA.

**Rental** - You may not rent, lease or lend the SOFTWARE PRODUCT. You may not make it available to others or post it on a server or web site.

**Software Product Transfer** - You may transfer all of Your rights under this EULA only as part of a permanent sale or transfer of the HARDWARE, provided You retain no copies. You transfer all of the

SOFTWARE PRODUCT (including all component parts, the media and printed materials, any upgrades and this EULA), and provided the recipient agrees to the terms of this EULA. If the SOFTWARE PRODUCT is an upgrade, any transfer must also include all prior versions of the SOFTWARE PRODUCT.

**Termination** - Without prejudice to any other rights, DSC may terminate this EULA if You fail to comply with the terms and conditions of this EULA. In such event, You must destroy all copies of the SOFTWARE PRODUCT and all of its component parts.

**Trademarks** - This EULA does not grant You any rights in connection with any trademarks or service marks of DSC or its suppliers.

**COPYRIGHT** - All title and intellectual property rights in and to the SOFTWARE PRODUCT (including but not limited to any images, photographs, and text incorporated into the SOFTWARE PRODUCT), the accompanying printed materials, and any copies of the SOFTWARE PRODUCT, are owned by DSC or its suppliers. You may not copy the printed materials accompanying the SOFTWARE PRODUCT. All title and intellectual property rights in and to the content which may be accessed through use of the SOFTWARE PRODUCT are the property of the respective content owner and may be protected by applicable copyright or other intellectual property laws and treaties. This EULA grants You no rights to use such content. All rights not expressly granted under this EULA are reserved by DSC and its suppliers.

**EXPORT RESTRICTIONS** - You agree that You will not export or re-export the SOFTWARE PRODUCT to any country, person, or entity subject to Canadian export restrictions.

**CHOICE OF LAW** - This Software License Agreement is governed by the laws of the Province of Ontario, Canada.

**ARBITRATION** - All disputes arising in connection with this Agreement shall be determined by final and binding arbitration in accordance with the Arbitration Act, and the parties agree to be bound by the arbitrator's decision. The place of arbitration shall be Toronto, Canada, and the language of the arbitration shall be English.

## LIMITED WARRANTY

**NO WARRANTY** - DSC PROVIDES THE SOFTWARE "AS IS" WITHOUT WARRANTY. DSC DOES NOT WARRANT THAT THE SOFTWARE WILL MEET YOUR REQUIREMENTS OR THAT OPERATION OF THE SOFTWARE WILL BE UNINTERRUPTED OR ERROR-FREE.

**CHANGES IN OPERATING ENVIRONMENT** - DSC shall not be responsible for problems caused by changes in the operating characteristics of the HARDWARE, or for problems in the interaction of the SOFTWARE PRODUCT with non-DSC-SOFTWARE or HARDWARE PRODUCTS.

**LIMITATION OF LIABILITY; WARRANTY REFLECTS ALLOCATION OF RISK** - IN ANY EVENT, IF ANY STATUTE IMPLIES WARRANTIES OR CONDITIONS NOT STATED IN THIS LICENSE AGREEMENT, DSC'S ENTIRE LIABILITY UNDER ANY PROVISION OF THIS LICENSE AGREEMENT SHALL BE LIMITED TO THE GREATER OF THE AMOUNT ACTUALLY PAID BY YOU TO LICENSE THE SOFTWARE PRODUCT AND FIVE CANADIAN DOLLARS (CAD\$5.00). BECAUSE SOME JURISDICTIONS DO NOT ALLOW THE EXCLUSION OR LIMITATION OF LIABILITY FOR CONSEQUENTIAL OR INCIDENTAL DAMAGES, THE ABOVE LIMITATION MAY NOT APPLY TO YOU.

**DISCLAIMER OF WARRANTIES** - THIS WARRANTY CONTAINS THE ENTIRE WARRANTY AND SHALL BE IN LIEU OF ANY AND ALL OTHER WARRANTIES, WHETHER EXPRESSED OR IMPLIED (INCLUDING ALL IMPLIED WARRANTIES OF MERCHANTABILITY OR FITNESS FOR A PARTICULAR PURPOSE) AND OF ALL OTHER OBLIGATIONS OR LIABILITIES ON THE PART OF DSC. DSC MAKES NO



OTHER WARRANTIES. DSC NEITHER ASSUMES NOR AUTHORIZES ANY OTHER PERSON PURPORTING TO ACT ON ITS BEHALF TO MODIFY OR TO CHANGE THIS WARRANTY, NOR TO ASSUME FOR IT ANY OTHER WARRANTY OR LIABILITY CONCERNING THIS SOFTWARE PRODUCT.

**EXCLUSIVE REMEDY AND LIMITATION OF WARRANTY** - UNDER NO CIRCUMSTANCES SHALL DSC BE LIABLE FOR ANY SPECIAL, INCIDENTAL, CONSEQUENTIAL OR INDIRECT DAMAGES BASED UPON BREACH OF WARRANTY, BREACH OF CONTRACT, NEGLIGENCE, STRICT LIABILITY, OR ANY OTHER LEGAL THEORY. SUCH DAMAGES INCLUDE, BUT ARE NOT LIMITED TO, LOSS OF PROFITS, LOSS OF THE SOFTWARE PRODUCT OR ANY ASSOCIATED EQUIPMENT, COST OF CAPITAL, COST OF SUBSTITUTE OR REPLACEMENT EQUIPMENT, FACILITIES OR SERVICES, DOWNTIME, PURCHASERS TIME, THE CLAIMS OF THIRD PARTIES, INCLUDING CUSTOMERS, AND INJURY TO PROPERTY.

DSC recommends that the entire system be completely tested on a regular basis. However, despite frequent testing, and due to, but not limited to, criminal tampering or electrical disruption, it is possible for this SOFTWARE PRODUCT to fail to perform as expected.

## Regulatory Information

### Notes for EN50131-1:2006/A1:2009 Compliant installations:

Model TL8803GI-EU is an SPT Type X - the module is self-contained within its own housing and it receives power from an external compatible CIE or Power Supply source that are in compliance with EN50131-6:2008.

This product has no replacement parts and no accessible software programmable options (everything is already pre-programmed). The product does not require any specific maintenance in order to continue to operate properly.

The TL8803GI-EU connects to compatible DSC alarm control panels using the DSC proprietary serial interface and protocol PC-Link (converted also to RS-422). The module operates in pass-through mode and it does acknowledge the alarm to the compatible control panel after an acknowledgement has been received from the compatible alarm receiver.

1. The TL8803GI-EU module is monitored by the control panel and it is programmed via the programming menu (\* 8, section [851] in the control panel. The interface is connected to the PC-Link bus as shown in the diagram included in this manual. There is no monitoring for substitution.
2. The IP and Cellular path is immune to conducted and radiated RF fields with levels up to 10V/m as tested per EN50130-4 Standard.
3. The TL8803GI-EU module conforms with radiated emissions levels for Class B equipment as per standards EN61000-6-3/EN55022/CISPR22.
4. The TL8803GI-EU module uses AES128 encryption and heartbeat supervision for HSPA 3G Cellular communication paths and it meets security levels S2 as per EN50136-2:2013. It also uses authentication for each message exchanged with the compatible receiver equipment at ARC and it meets level I2 for information security.
5. The TL8803GI-EU module has one communication path: HSPA 3G Cellular communication path using 900/1800/2100MHz Public Cellular Network and one Ethernet path. The communication paths can be used in a standalone mode/individual mode or in back-up (fall-back) mode in conjunction with a DSC alarm system (compatible DSC alarm control panel models: HS2128/064/032/016, HS3032/3128/3248). The supported ATS configuration is: Custom Category DP3.
6. The TL8803GI-EU has been tested for compliance in conjunction with the following applicable standards: EN50131-

1:2006/A1:2009, EN50136-1:2012, EN50136-2:2013, EN50131-10:2014, ATS configuration: DP3.

For EN50131-1:2006/A1:2009 compliant installations, the following programming options shall be set as described.

Supervision Heartbeat: shall be set to 180 seconds.

NOTE: The compatible receiver at ARC location shall have supervision window programmed for 180 seconds.

TL8803GI-EU has been certified by ALTER TECHNOLOGY TÜV NORD S.A.U. in accordance with EN50131-1:2006/A1:2009, EN50131-10:2014 requirements for Grade 3, Class II and EN50136-2:2013 Configuration: DP3

## SIMPLIFIED EU DECLARATION OF CONFORMITY

Hereby, Tyco Safety Products Canada Ltd declares that this radio equipment is in compliance with Directive 2014/53/EU. The full text of the EU declaration of conformity is available at the following internet address: <http://dsc.com/pdf/169001>

	Frequency bands	Maximum power
Z-wave	868.42 MHz	4 dBm max EIRP
Image sensor	868.3 MHz	10 dBm max EIRP
Cellular radio	850/900/2100 MHz bands	30 dBm max EIRP

### European single point of contact

Tyco Safety Products, Voltaweg 20, 6101 XK Echt, Netherlands.

ATS Custom Category C	Level
EN50136-1:2012 Annex D Table D.1	D3
EN50136-1:2012 Annex D Table D.2	M3
EN50136-1:2012 Annex D Table D.3	T4
EN50136-1:2012 Annex D Table D.4	A4 (Depending on cellular carrier used)
EN50136-1:2012 Annex D Table D.5	S1 (use AES-128 and authentication/sequential information in each message transmitted to the SG receiver)
EN50136-1:2012 Annex D Table D.6	I1 (use AES-128 encryption)
EN50136-1:2012 Table 1	Use single communication path (cellular network)
EN50136-1:2012 Table 4	ATS failure reported to ARC
EN50136-1:2012 Table 5	ATS failure reported to AS (DCS compatible control panel HS2128/HS2064/HS2032/HS2016)
EN50136-1:2012 Table 6	There is no recording of availability failure
EN50136-2:2013 Table 1	No logging function provided
EN50136-2:2013 Table 2	No memory provided for logging function
EN50136-2:2013 Table 3	ATS failure reported to ARC

©2020 Johnson Controls. All rights reserved.  
Johnson Controls, Tyco and DSC are trademarks of Johnson Controls.  
Tech Support: 1-800-387-3630 (Canada & U.S.) or 905-760-3000  
[www.dsc.com](http://www.dsc.com)

The trademarks, logos, and service marks displayed on this document are registered in the United States and/or other countries. Any misuse of the trademarks is strictly prohibited and Tyco will aggressively enforce its intellectual property rights to the fullest extent of the law, including pursuit of criminal prosecution wherever necessary. All trademarks not owned by Tyco are the property of their respective owners, and are used with permission or allowed under applicable laws.

Product offerings and specifications are subject to change without notice. Actual products may vary from photos. Not all products include all features. Availability varies by region; contact your sales representative.

# Contrôleur à deux voies TL8803GI-EU



**AVERTISSEMENT :** Le présent manuel contient des informations relatives aux limitations concernant l'utilisation et les fonctionnalités du produit ainsi que les limitations de la responsabilité du fabricant. Lisez attentivement le manuel dans son intégralité.

<b>Avertissement : À l'attention de l'installateur, veuillez lire attentivement</b> .....	<b>3</b>
<b>Introduction à Alarm.com</b> .....	<b>5</b>
<b>Module IP/HSPA 3G - TL8803GI-EU</b> .....	<b>5</b>
<b>Caractéristiques</b> .....	<b>6</b>
<b>Valeurs nominales du Communicateur</b> .....	<b>6</b>
<b>Compatibilité du communicateur</b> .....	<b>7</b>
<b>Installation</b> .....	<b>8</b>
<b>Outils et fournitures requis</b> .....	<b>8</b>
<b>Instructions de montage pour le TL8803GI-EU</b> .....	<b>8</b>
<b>Étape 1 : activer le module</b> .....	<b>9</b>
<b>Étape 2 : connecter le module TL8803GI-EU</b> .....	<b>9</b>
<b>Étape 3 : vérifier le code de l'installateur pour activer le module Alarm.com</b> .....	<b>12</b>
<b>Étape 4 : réaliser un test des deux voies (inscription du module)</b> .....	<b>12</b>
<b>Étape 5 : autorise le module à s'autoprogrammer</b> .....	<b>13</b>
<b>Attribuer le capteur d'image Alarm.com</b> .....	<b>13</b>
<b>Réglages de la centrale</b> .....	<b>13</b>
Notifications .....	15
Réglages de la centrale modifiés automatiquement .....	15
Horloge : .....	16
<b>Dépannage</b> .....	<b>17</b>
<b>Informations sur l'état du module</b> .....	<b>17</b>
<b>Voyants lumineux de dépannage</b> .....	<b>18</b>
Voyant L1 (rouge) .....	18
Voyant L2 (jaune) .....	19
Voyant L3 (jaune) .....	19
Voyant L4 (vert) .....	20
Voyant L5 (jaune) .....	20
<b>Les différents états du module (modes)</b> .....	<b>20</b>
<b>Amélioration de la force du signal sans fil</b> .....	<b>21</b>
<b>Instructions destinées au client pour la configuration d'un nouvel utilisateur sur le Web</b> .....	<b>21</b>
<b>Menu des services interactifs</b> .....	<b>23</b>
<b>Menus interactifs</b> .....	<b>23</b>
<b>Programmation de l'installateur</b> .....	<b>23</b>
<b>Fonctions personnelles</b> .....	<b>23</b>
<b>Garantie limitée</b> .....	<b>25</b>
<b>Contrat de licence d'utilisateur final</b> .....	<b>26</b>
<b>Informations réglementaires</b> .....	<b>27</b>

# Avertissement : À l'attention de l'installateur, veuillez lire attentivement

## Remarque pour les installateurs

Les avertissements de cette page contiennent des informations vitales. En tant que seul individu en contact avec les utilisateurs du système, c'est à l'installateur qu'incombe la responsabilité d'attirer l'attention des utilisateurs du système sur chaque élément de cette mise en garde.

## Pannes de système

Ce système a été soigneusement conçu pour être aussi efficace que possible. Toutefois, dans des circonstances impliquant un incendie, cambriolage ou autre genre d'urgences, il se peut qu'il ne fournisse pas de protection. Tout système d'alarme quel qu'il soit peut être délibérément saboté ou peut ne pas fonctionner comme prévu pour plusieurs raisons. Certaines de ces raisons sont notamment :

### Accès par des intrus

Des intrus peuvent entrer par un point d'accès non protégé, en contournant un dispositif de détection, échapper à une détection en se déplaçant dans une zone insuffisamment couverte, déconnecter un dispositif d'alerte, ou interférer avec le système ou empêcher son fonctionnement normal.

### Panne d'un élément

Bien que tous les efforts aient été faits pour rendre le système aussi fiable que possible, le système peut mal fonctionner à cause de la panne d'un élément.

### Limites des fonctionnements des dispositifs de fréquence radio (sans fil)

Les signaux d'un appareil peuvent ne pas atteindre le récepteur dans toutes les circonstances qui pourraient inclure des objets métalliques placés sur ou à côté du chemin de la radio, blocage délégué ou autre interférence du signal radio commis par inadvertance.

### Connaissances criminelles

Ce système contient des fonctions de sécurité reconnues efficaces au moment de la fabrication. Il est possible que des personnes ayant des intentions criminelles élaborent des techniques qui réduisent l'efficacité de ces fonctions. Il est important qu'un système de sécurité soit révisé périodiquement pour garantir que ses fonctions restent efficaces et qu'il soit mis à jour ou remplacé s'il ne fournit pas la protection prévue.

### Pannes des batteries remplaçables

Les transmetteurs sans fil de ce système ont été conçus pour fournir plusieurs années d'autonomie de batterie dans des conditions normales d'utilisation. La durée de vie de la batterie dépend de l'environnement du dispositif, de l'utilisation et du type de batterie. Les conditions ambiantes telles que l'humidité élevée, des températures très élevées ou très basses, ou de grosses différences de température peuvent réduire la durée de vie de la batterie. Bien que chaque dispositif de transmission possède un dispositif de surveillance de batterie faible qui indique à quel moment la batterie doit être remplacée, il peut ne pas fonctionner comme prévu. Des tests et un entretien régulier maintiendront le système dans de bonnes conditions de fonctionnement.

### Mauvaise installation

Un système de sécurité doit être correctement installé afin de fournir une protection adéquate. Chaque installation doit être évaluée par un professionnel de la sécurité pour s'assurer que tous les points d'accès et zones sont couvertes. Les serrures et les loquets sur les portes et

fenêtres doivent être bien fermés et fonctionner normalement. Les fenêtres, portes, murs, plafonds et autres matériaux de construction doivent être suffisamment solides pour assurer le niveau de protection attendu. Une réévaluation doit être effectuée pendant et après toute construction. Une évaluation par le département de police et/ou des sapeurs-pompiers est fortement recommandée si ce service est offert.

### Test insuffisant

La plupart des problèmes qui pourraient empêcher un système d'alarme de fonctionner normalement peuvent être découverts en testant et entretenant le système régulièrement. L'ensemble du système devrait être testé hebdomadairement et immédiatement après une effraction, une tentative d'entrée par effraction, un incendie, un tremblement, un tremblement de terre, un accident ou toute sorte de construction à l'intérieur ou à l'extérieur des lieux. Le test doit comporter tous les dispositifs de détection, claviers, consoles, dispositifs d'indication d'alarme et tout autre dispositif faisant partie du système.

### Insuffisance de temps

Il peut y avoir des circonstances où le système fonctionne comme prévu mais où les occupants ne seront pas protégés à cause de leur incapacité à répondre aux avertissements dans un temps alloué. Si le système est connecté à un poste de surveillance à distance, l'intervention peut ne pas arriver à temps pour protéger les occupants ou leurs biens.

### Détecteurs de mouvement

Les détecteurs de mouvement ne détectent le mouvement que dans les zones désignées, conformément aux instructions d'installation. Ils ne peuvent pas distinguer les intrus des occupants. Les détecteurs de mouvement ne fournissent pas de protection de zones volumétriques. Ils ont de multiples rayons de détection et les mouvements ne peuvent être détectés que dans des zones non obstruées et protégées par ces rayons. Ils ne peuvent détecter les mouvements qui se produisent derrière les murs, plafonds, sol, portes fermées, cloisons vitrées, portes vitrées ou fenêtres. Tout type de problème, qu'il soit intentionnel ou non, tels que le camouflage, peinture ou vaporisation de matériel sur les lentilles, miroirs, fenêtres ou toute autre partie du système de détection empêchera son fonctionnement normal. Les détecteurs de mouvement à infrarouge passif fonctionnent en détectant les changements de température. Cependant, leur efficacité peut être réduite lorsque la température ambiante s'approche ou dépasse la température du corps ou s'il existe des sources de chaleur intentionnelles ou non intentionnelles dans ou près de la zone de détection. Certaines de ces sources de chaleur peuvent être des chauffages, radiateurs, fours, barbecues, cheminées, lumière du soleil, éclairages, etc.

### Panne de courant

Les équipements de contrôle, les détecteurs d'intrusion, les détecteurs de fumée et bien d'autres dispositifs de sécurité nécessitent une alimentation électrique adéquate pour fonctionner normalement. Si un dispositif fonctionne à partir de batteries, il est possible que celle-ci faiblissent. Même si les batteries ne sont pas faibles, elles doivent être chargées, en bon état et installées correctement. Si un dispositif ne fonctionne que par courant alternatif, toute interruption, même très brève, rendra ce dispositif inopérant pendant la durée de la coupure de courant. Les coupures de courant, quelle qu'en soit la durée, sont souvent accompagnées par des fluctuations de tension qui peuvent endommager l'équipement électronique tel qu'un système de sécurité. À la suite d'une coupure de courant, effectuez immédiatement un test complet du système pour vous assurer que le système fonctionne correctement.

### Sécurité et assurance

Sans tenir compte de ses capacités, un système d'alarme ne constitue pas un substitut à une assurance sur la propriété ou une assurance vie.

---

Un système d'alarme ne doit pas empêcher les propriétaires, locataires ou autres occupants d'agir prudemment afin d'éviter ou de minimiser les effets nuisibles d'une situation d'urgence.

#### **Détecteurs de fumée**

Les détecteurs de fumée qui font partie du système peuvent ne pas bien alerter les occupants d'un endroit en feu pour un certain nombre de raisons, dont : Les détecteurs de fumée peuvent avoir été mal installés ou positionnés. La fumée peut ne pas pouvoir atteindre les détecteurs de fumée, par exemple dans le cas d'un incendie dans une cheminée, murs ou toits, ou de l'autre côté de portes fermées. Les détecteurs de fumée peuvent ne pas détecter la fumée provenant d'incendies à un autre niveau de la résidence ou du bâtiment. Tous les incendies diffèrent par la quantité de fumée produite et le taux de combustion. Les détecteurs de fumée ne peuvent pas détecter de la même manière tous les types d'incendie. Les détecteurs de fumée ne fournissent pas d'avertissement opportun d'un incendie causé par une imprudence ou un manque de sécurité tels que fumer dans un lit, explosions violentes, fuites de gaz, mauvais rangement de produits inflammables, circuits électriques surchargés, enfants jouant avec des allumettes, incendies provoqués. Même si le détecteur de fumée fonctionne comme prévu, dans certaines circonstances le préavis n'est pas suffisant pour permettre à tous les occupants de s'enfuir à temps pour éviter les blessures ou la mort.

#### **Lignes téléphoniques**

Si les lignes téléphoniques sont utilisées pour transmettre des appels, elles peuvent être hors d'usage ou occupés pendant un certain temps. Un intrus peut également couper la ligne téléphonique ou provoquer son dérangement par des moyens plus sophistiqués parfois difficiles à détecter.

#### **Dispositifs d'avertissement**

Les dispositifs d'avertissement tels que les sirènes, cloches, klaxons ou lumières stroboscopiques peuvent ne pas avertir les gens ou ne pas réveiller quelqu'un qui dort s'il y a un mur ou une porte fermée. Si les dispositifs d'avertissement sont placés à un autre niveau de la résidence ou du local, il est alors probable que les occupants ne seront pas alertés ou réveillés. Les dispositifs d'avertissement sonores peuvent être atténués par d'autres sources sonores telles que les chaînes stéréo, radios, télévisions, climatiseurs autres appareils ou par la circulation. Les dispositifs d'avertissement sonores, même bruyants, peuvent ne pas être entendus par une personne malentendante.

---

## IMPORTANT

Ce guide d'installation doit être utilisé en accompagnement du manuel de la centrale disponible en ligne sur le site Web DSC à l'adresse « [www.dsc.com](http://www.dsc.com) ». Toutes les instructions spécifiées dans ce dernier manuel doivent être respectées. Le panneau de commande est appelé « centrale » dans tout ce document. Ce manuel d'installation fournit les informations de base de câblage, de programmation et de dépannage.

Le commutateur d'alarme est un appareil fixe, accroché à un mur et doit être installé à l'emplacement spécifié dans ces instructions. Le communicateur d'alarme ne doit PAS être installé à l'intérieur du boîtier métallique de la centrale d'alarme ; cette opération pourrait compromettre de façon significative les transmissions sur réseau cellulaire et de radiofréquences (Z-Wave). Le boîtier de l'équipement doit être complètement assemblé et fermé, avec toutes les vis et toutes les languettes nécessaires, et il doit être fixé à un mur avant d'être utilisé. Le câblage interne doit être acheminé de façon à éviter :

- Des contraintes excessives sur les câbles et les bornes de connexion,
- Les interférences entre les câblages de puissance limitée et ceux de puissance non limitée,
- Le relâchement des branchements des bornes,
- Des dommages à l'isolant du conducteur.

**Avvertissement : N'installez jamais ce matériel pendant un orage !**

## Consignes de sécurité

L'installateur doit préciser à l'utilisateur du système chacun des points suivants :

- N'essayez pas de réparer ce produit. L'ouverture ou le retrait des capots peut exposer l'utilisateur à des tensions dangereuses ou à d'autres risques.
- Les interventions ne peuvent être effectuées que par du personnel formé à cet effet.
- N'utiliser que des accessoires agréés avec cet équipement.
- Ne pas rester à proximité du matériel pendant son fonctionnement.
- Ne pas toucher l'antenne externe.

## Introduction à Alarm.com

L'objectif de ce manuel est de fournir des instructions d'installation et d'utilisation le module du communicateur Alarm.com. Les paragraphes suivants offrent un bref aperçu de leurs capacités. Certaines capacités et caractéristiques varient en fonction de l'abonnement au service Alarm.com choisi. Visitez le site Web « [www.alarm.com/Dealer](http://www.alarm.com/Dealer) » ou contactez Alarm.com pour plus d'informations.

**Remarque :** Le module IP/HSPA 3G à deux voies est disponible dans le modèle TL8803GI-EU.

**Remarque :** La fonctionnalité du capteur d'image peut ne pas être activée dans toutes les régions.

Le module TL8803GI-EU comprend le sous-assemblage IP/Radio et l'interface de conversion PC-Link vers RS422. Le module est compatible uniquement avec les modèles de centrale d'alarme NEO HS2128, HS2064, HS2032 et HS2016, avec les versions logicielles 1.1 et supérieures.

## Module IP/HSPA 3G - TL8803GI-EU

Le module à deux voies permet une communication sans fil de toutes les alarmes et d'autres événements du système à partir de la centrale DSC Neo à l'aide d'un réseau entièrement numérique, sans fil HSPA (cellulaire) ou Ethernet. Le module est utilisable comme voie de communication primaire pour la signalisation de toutes les alarmes, ou comme voie de secours d'une connexion téléphonique vers le central de télésurveillance. Le service d'acheminement et de signalisation de l'alarme sans fil est effectué par Alarm.com. Le module HSPA prend en charge également en natif une solution de domotique Alarm.com avec des capacités intégrés Z-Wave.

**Remarque :** La solution de domotique Alarm.com avec des capacités Z-Wave intégrées n'est pas conforme EN50131-1:2006/A1:2009 et EN50136-1:2012.

## Information de contact

Pour plus d'informations et une assistance sur les modules Alarm.com, la configuration de compte initiale, la domotique, et sur tous autres produits et services Alarm.com, veuillez visiter le site Web : [www.Alarm.com/dealer](http://www.Alarm.com/dealer) ou contactez l'assistance technique Alarm.com au : 1-866-834-0470.

## Caractéristiques

- Chiffrement AES 128 bits via réseau cellulaire et Internet.
- Communication d'alarmes sur réseau cellulaire de secours ou principal et port Ethernet.
- Commute automatiquement sur le canal 2G (EDGE/GPRS) si le service HSPA (3G) n'est pas disponible.
- Rapport d'événement complet vers le central de télésurveillance.
- Transmission de test périodique sur réseau cellulaire.
- Routage d'appels intégré.
- Possibilité de téléchargement/chargement vers une centrale distante via un réseau cellulaire ou Internet.
- Connexion PC-LINK.
- Étiquettes programmables.
- Prise en charge des formats SIA et Contact ID (CID).
- Témoins LED pour l'affichage de la force du signal et des problèmes.
- Carte SIM incluse avec le communicator.
- Envoi de battements de cœur de supervision via un réseau cellulaire.
- Fonction audio bidirectionnel en utilisant le module audio HSM2955(R). Se référer au manuel du module HSM2955(R).

## Valeurs nominales du Communicateur

Modèle	TL8803GI-EU
<b>Valeurs nominales d'alimentation</b>	
Tension d'entrée	11,3 V - 12,5 V CC (fourni par la centrale compatible DSC NEO)
<b>Consommation de courant</b>	
Intensité en veille (valeur moyenne)	100 mA sous 12 V (l)
Intensité d'alarme en émission (valeur crête)	200 mA sous 12 V (l)
Réseau cellulaire	HSPA 3G
Fréquence de fonctionnement	Quadribande GSM/GPRS/EDGE + HSPA à 850/900/2 100 MHz
<b>Spécifications environnementales</b>	
Température d'utilisation	de -10°C à 55°C
Température de stockage	de -34°C à 60°C
Humidité	93 % d'humidité relative, sans condensation
<b>Spécifications mécaniques</b>	
Dimensions	6" x 8,9" x 1,3"
Poids	365g (l)



---

## Compatibilité du communicateur

Communicateur	Récepteur/ Centrale	Description
TL8803GI-EU	Récepteur	<ul style="list-style-type: none"><li>• Récepteur Sur-Gard System I-IP, version 1.13+</li><li>• Récepteur Sur-Gard System II, version 2.10+</li><li>• Sur-Gard SG-DRL3-IP version 2.30+ (pour le Récepteur Sur-Gard System III)</li><li>• Sur-Gard SG-DRL4-IP version 1.20+ (pour le Récepteur Sur-Gard System IV)</li><li>• Sur-Gard SG-DRL5-IP version 1.00+ (pour le Récepteur Sur-Gard System 5)</li></ul>
	Centrale	<ul style="list-style-type: none"><li>• HS2016, version 1.1 ou supérieure</li><li>• HS2032, version 1.1 ou supérieure</li><li>• HS2064, version 1.1 ou supérieure</li><li>• HS2128, version 1.1 ou supérieure</li></ul>

**Remarque :** Pour afficher le numéro de version de la centrale, entrez [\*][8][code installateur][900][000] sur le clavier.

Les produits ou les composants de produits assurant les fonctions de communication ne doivent respecter que les exigences applicables aux équipements de communication spécifiées dans la section « Partie 1 : Conditions générales requises » du document sur la sécurité des équipements de technologie d'information EN60950-1. Ces composants sont les suivants (liste non limitative) : hubs, routeurs, prestataires de services de communication tierces parties, modems DSL et modems câble.

## INSTALLATION

Suivez les lignes directrices suivantes pendant l'installation :

- Avant de fixer le communicateur à un mur, vérifiez la force de signal HSPA à l'emplacement d'installation. Sur un clavier, appuyez longuement sur la touche 5 pendant 2 secondes pour visualiser la force du signal HSPA. Un lieu d'installation avec une force de signal consistante de deux ou plusieurs barres est recommandé.
- Ne dépassez pas la puissance de sortie totale de la centrale quand vous utilisez son alimentation pour le module TL8803GI-EU, les détecteurs câblés ou les sirènes. Consultez les instructions d'installation spéciales de la centrale pour les détails. Seul un module est utilisable par centrale.
- Pour réduire les interférences possibles avec les signaux cellulaires, évitez de monter le communicateur dans des pièces riches en câblage électriques et objets métalliques, comme des chaudières ou des locaux d'entretien.

Ne montez pas le communicateur TL8803GI-EU à l'intérieur du boîtier métallique de la centrale d'alarme.

### Outils et fournitures requis

Vous aurez besoin des outils et des fournitures suivants :

- Des petits tournevis plats et cruciformes (Phillips)
- Des vis (fournies)
- Une antenne (fournie)
- Un câble plat à 16 broches (fourni)

### Instructions de montage pour le TL8803GI-EU

Avant de fixer l'équipement au mur, vérifiez que la puissance du signal HSPA disponible à l'emplacement d'installation est élevée.

Fixez le TL8803GI-EU dans un endroit sec, sécurisé et sans danger.

Pour un montage mural :

1. Insérez un tournevis plat dans les fentes et soulevez pour retirer le couvercle frontal.

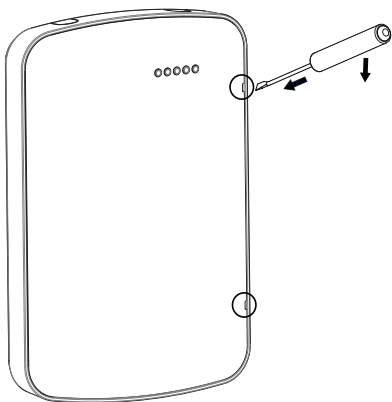


Figure 1 - Retrait du couvercle frontal

2. Pour l'acheminement des câbles sur une surface, éliminez les deux onglets cassables sur le côté de la plaque arrière.

3. Acheminez les câbles RS422 et Ethernet à travers les clips de retenue comme indiqué dans le schéma 2. Acheminez les câbles dans le sens des flèches. Pour des informations sur les caractéristiques de l'alimentation de la centrale, veuillez vous référer au manuel d'installation de la centrale.

Attention : Tirez les câbles conformément à la réglementation locale.

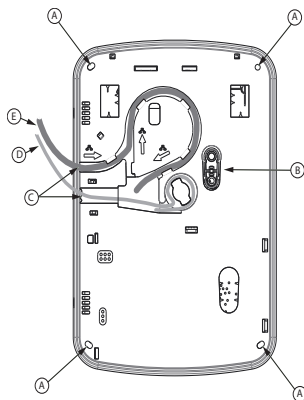


Figure 2 - Plaqué arrière du TL8803GI-EU

- A: Mounting holes
- B: Wall tamper plate
- C: Breakaway tabs
- D: RS422 cable
- E: Ethernet cable

4. Fixez la plaque arrière au mur à l'aide des 4 trous de montage. Voir Figure 2.

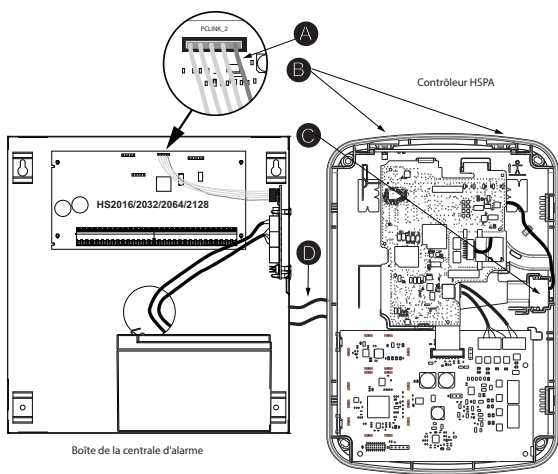
Utilisez les 4 vis fournies. Utilisez les chevilles en plastique si l'unité est à monter sur une cloison sèche. Si vous utilisez le contact antisabotage, fixez la plaque de ce dernier au mur avec une vis.

## Étape 1 : activer le module

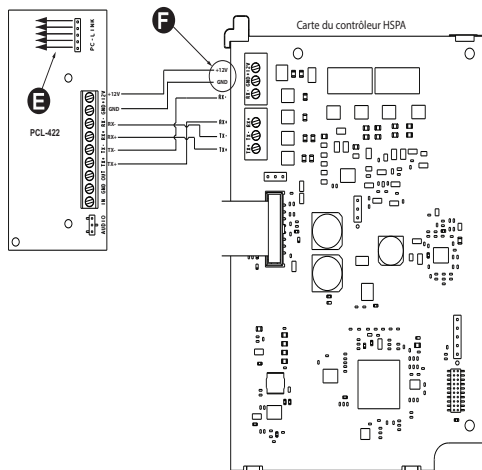
Afin que le module Alarm.com puisse communiquer avec la centrale, l'option 5 de la section [382] de la centrale doit être activée. Cette section est désactivée par défaut et doit être activée pour que le système fonctionne correctement. Cette opération doit être effectuée avant de connecter le câble PC-Link pour mettre sous tension le module afin de garantir que toutes les commandes d'initialisation seront traitées correctement.

## Étape 2 : connecter le module TL8803GI-EU

**Attention :** vérifiez que la centrale d'alarme est complètement hors tension (c.-à-d. secteur et batterie déconnectés) avant de connecter le module TL8803GI-EU.



Monté dans l'armoire de la centrale d'alarme



A	Fil rouge sur la barrette PCLink2 de la centrale d'alarme
B	Ports d'accès de l'antenne
C	Connexion du câble Ethernet
D	Câbles à 4 fils (30 m/100 pieds maximum)
E	Fil rouge sur la barrette PCL-422 PCLink
F	Bornes d'alimentation de la carte du contrôleur HSPA. Peut être connecté au module d'alimentation électrique (HSM2204/2300).

## 1 : Connexion du bus de données

La longueur maximale du câble autorisée pour le bus de données est de 30 m (100 pieds).

- Connectez la borne **RX+** du module TL8803GI-EU à la borne **TX+** du module PCL-422.
- Connectez la borne **RX-** du module TL8803GI-EU à la borne **TX-** du module PCL-422.
- Connectez la borne **TX-** du module TL8803GI-EU à la borne **RX-** du module PCL-422.
- Connectez la borne **TX+** du module TL8803GI-EU à la borne **RX+** du module PCL-422.

## 2 : Connexion de l'alimentation

La longueur maximale du câble autorisée pour le branchement électrique est de 30 m (100 pieds).

- Connectez la borne **GND** du module TL8803GI-EU à la borne **GND** du module PCL-422.
- Connectez la borne **+12V** du module TL8803GI-EU à la borne **+12V** du module PCL-422.

## 3 : Connexion du câble PC-Link

**Remarque :** Afin de garantir une orientation correcte, reportez-vous aux éléments A et D des schémas de câblage pour une correcte position du fil rouge du câble PC-Link.

- Connectez une extrémité du câble PC-Link fourni à la barrette PC-Link du module PCL-422.
- Connectez l'autre extrémité du câble PC-Link à la barrette PC-LINK\_2 de la centrale d'alarme.

## 4 : Se connecter à Ethernet (facultatif)

**Remarque :** Se reporter à l'élément C dans le schéma de câblage pour positionner correctement le câble Ethernet.

Un câble Ethernet de catégorie 5 (CAT5) doit être tiré depuis une source disposant d'une connectivité Internet jusqu'au module communicateur, à l'intérieur de la centrale TL8803GI-EU. L'extrémité communicateur du câble doit être terminée par une fiche RJ45.

- Connectez une extrémité du câble Ethernet au port Ethernet du communicateur.
- Connectez l'autre extrémité du câble Ethernet au port Ethernet du routeur et vérifiez que le voyant d'état de la liaison est allumé.

Toutes les conditions requises pour l'installation du câble Ethernet CAT5 doivent être respectées pour que le communicateur puisse fonctionner correctement et notamment (liste non limitative) :

- NE PAS dénuder la gaine du câble plus que nécessaire pour une bonne terminaison.
- NE PAS entortiller ni nouer le câble.
- NE PAS écraser le câble avec les colliers à câble.
- NE PAS détordre les paires CAT5 de plus de 1,2 cm (1/2 pouce).
- NE PAS épisser le câble.
- NE PAS courber le câble à angles droits ni ne lui infliger toute autre courbure brusque.

**Remarques :**

- La spécification CAT5 requiert que toute courbure de câble ait un rayon minimum de 5 cm (2 pouces). La longueur maximale du câble CAT5 est de 100 m (328 pieds).
- Avant de quitter les locaux, les lignes de communication Ethernet doivent d'abord être connectées à un dispositif NID agréé (qui convient aux autorités locales). Tous les câblages doivent être effectués dans le respect des codes électriques locaux.

## 5 : Connexion de l'antenne externe (facultative)

Des antennes améliorées sont disponibles pour le module TL8803GI-EU dans le cas où la réception du réseau cellulaire est insuffisante à l'emplacement d'installation préférée. Contactez l'assistance technique DSC pour le choix de l'antenne.

Le module TL8803GI-EU dispose de deux ports d'accès couverts au sommet du boîtier. Retirez l'onglet plastique recouvrant le port souhaité et vous devez ensuite soit monter l'antenne sur le boîtier, soit utiliser l'orifice pour faire passer le câble d'antenne.

**Remarque :** Comme le boîtier est incurvé, les embouts de port en plastique ne sont PAS interchangeables. Vérifiez que les ports inutilisés soient recouverts avec leur onglet plastique d'origine.

**Avertissement :** l'antenne extérieure doit être installée de manière à éviter que les utilisateurs aient accès aux parties conductrices de l'antenne ou du câble d'antenne (c.-à-d. montage encastré ou équivalent).

### 5 : Mise sous tension

Connectez la batterie de la centrale et l'alimentation secteur. Une fois allumé, visualisez les éléments clés sur l'écran LCD. Vérifiez que le module est entièrement câblé à la centrale d'alarme via le câble à 4 fils comme illustré dans le schéma de câblage.

## Étape 3 : vérifier le code de l'installateur pour activer le module Alarm.com

Les alarmes et d'autres signaux ne seront pas communiqués à Alarm.com tant que le code de l'installateur n'est pas vérifié. Pour activer le compte, exécutez les opérations suivantes :

1. Connectez le module Alarm.com à la centrale. Vérifiez que l'option 5 de la section [382] est activée.
2. Appuyez sur [\*][8] pour accéder à la programmation de l'installateur.
3. Saisissez le code de l'installateur.
4. Appuyez sur [#] pour quitter la programmation de l'installateur.

Pour activer à distance un système qui émet déjà, exécutez les opérations suivantes :

1. Accédez à « [www.alarm.com/dealer](http://www.alarm.com/dealer) ».
2. Accédez au compte client.
3. Sélectionnez le message d'erreur en haut de la page.
4. Saisissez le code de l'installateur.

## Étape 4 : réaliser un test des deux voies (inscription du module)

Pour établir une communication du module avec le service Alarm.com et le réseau cellulaire pour la première fois, réalisez un « Test téléphonique des deux voies ». Notez que le test peut être aussi utilisé à tout moment par l'installateur pour forcer la communication avec le service Alarm.com. Pour tester la voie sur réseau cellulaire, appuyez longuement sur [3] pendant deux secondes. Pour tester la voie sur réseau haut débit, appuyez longuement sur [4] pendant deux secondes. Un test des deux voies peut être aussi exécuté par l'intermédiaire du menu des services interactifs. Pour réaliser un test des deux voies, appuyez sur [\*][6] suivi du code maître et de [04].

La centrale indique quand le test a été exécuté en déclenchant la sortie de sirène à un volume moyen pendant 2 secondes suivi d'une sonnerie à plein volume pendant 2 autres secondes. Cependant, si le test a été lancé par la touche [3] ou [4] par le menu des services interactifs, la sirène ne sonnera pas. Tous les voyants lumineux et les segments ACL sont allumés. Cela signifie que le service Alarm.com a reçu et a accusé réception du signal. Cela ne garantit pas que le signal soit traité par un central de télésurveillance ; il s'agit d'une confirmation de la réception du signal par le centre des opérations réseau du service Alarm.com. Le central de télésurveillance doit être directement contacté pour vérifier que le signal a été reçu sur le bon compte et que les paramètres d'acheminement du central de télésurveillance ont été correctement réglés. Si le signal n'arrive pas au central

de télésurveillance, la centrale affiche le message « Erreur de communication ». Revérifiez les paramètres de retransmission du central de télésurveillance sur Alarm.com et contactez l'assistance technique si le problème persiste.

## Étape 5 : autorise le module à s'autoprogrammer

Après avoir exécuté avec succès le test des deux voies, patientez 2 minutes afin que le module se programme automatiquement et s'initialise avant d'accéder aux menus de programmation de l'installateur. Accéder à la programmation de l'installateur pendant l'initialisation du module annulera la procédure. Les claviers LCD affichent un message indiquant la progression de l'autoprogrammation et quand elle se termine. Pendant la session d'autoprogrammation, le module programme automatiquement les réglages de la centrale nécessaires pour un bon fonctionnement avec le service Alarm.com comme indiqué dans le paragraphe « Réglages de la centrale ».

## Attribuer le capteur d'image Alarm.com

**Remarque :** Cette fonction peut être activée ou désactivée sur le produit. Veuillez demander à votre installateur si cette fonction est activée dans votre application.

La capacité intégrée du capteur d'image Alarm.com n'est pas homologuée UL.

1. Vérifiez que les batteries sont retirées du capteur.
2. Sur la centrale, accédez au menu des services interactifs. Les services interactifs sont accessibles par la section [851] de la programmation de l'installateur.
3. Appuyez sur [\*][8] [Code de l'installateur] [851].
4. Faites défiler jusqu'à « Configuration du capteur d'image » et appuyez sur [\*].
5. Faites défiler jusqu'à « Acquisition du capteur d'image » et appuyez sur [\*]. Le clavier affichera « Mettre en route ou réinitialiser C.I. maintenant ».
6. Insérez les batteries dans le capteur d'image (C.I.). Patientez environ 20 secondes que l'écran de la centrale affiche : « C.I. [x] Ajouté comme Capteur [y]. » Le voyant lumineux du capteur s'allume pendant 5 secondes, une fois le capteur attribué.
7. Réalisez un nouveau test de communication avec la centrale pour vérifier que le service Alarm.com reçoive la liste des équipements mise à jour. La procédure d'initialisation du capteur est ainsi plus rapide.
  - La zone sera configurée comme zone virtuelle et programmée automatiquement dans le prochain emplacement disponible dans la section [560][001] à [032] en commençant par la zone 126 et par décompte pour chaque capteur d'image supplémentaire ajouté.
  - Une fois attribué, le capteur d'image apparaîtra comme une zone normale.
  - Par défaut, le capteur d'image est attribué comme une zone intérieure en mode à domicile/absence dans le type de zone 005. Le type de zone et l'attribut peuvent être assignés dans le menu de l'installateur de la même façon que d'autres zones habituelles. Pour plus d'informations, reportez-vous au paragraphe « Configuration de zone » du manuel de référence de la centrale d'alarme PowerSeries Neo.

## Réglages de la centrale

### Réglages de ligne téléphonique et de central de télésurveillance

Les réglages de ligne téléphonique et de central de télésurveillance seront automatiquement réalisés par l'intermédiaire de la page de réglage de retransmission du central de télésurveillance (CS) du site du revendeur Alarm.com. Les éléments suivants sont les réglages de la centrale qui sont réalisés via la page du site du fournisseur (le cas échéant) et ne doivent pas être configurés dans la centrale :

Section	Option	Description
015	7	Surveillance de ligne téléphonique
300 [001]	–	Voie de communication de la centrale - Récepteur 1
300 [002]	–	Voie de communication de la centrale - Récepteur 2
300 [003]	–	Voie de communication de la centrale - Récepteur 3
300 [004]	–	Voie de communication de la centrale - Récepteur 4
301 [001]	–	Numéro de téléphone de communication 1
301 [002]	–	Numéro de téléphone de communication 2
301 [003]	–	Numéro de téléphone de communication 3
301 [004]	–	Numéro de téléphone de communication 4
309 [001]	–	Pilotage d'appels du système - Maintenance
309 [002]	–	Pilotage d'appels du système - Transmission de test
310 [000]	–	Numéro de compte du système
310 [001]	–	Numéro de compte de partition 1
310 [002]	–	Numéro de compte de partition 2
310 [003]	–	Numéro de compte de partition 3
310 [004]	–	Numéro de compte de partition 4
310 [005]	–	Numéro de compte de partition 5
310 [006]	–	Numéro de compte de partition 6
310 [007]	–	Numéro de compte de partition 7
310 [008]	–	Numéro de compte de partition 8
311 [001]	–	Pilotage d'appels de partition 1 - Alarme/Fin d'alarme
311 [002]	–	Pilotage d'appels de partition 1 - Sabotage/Fin de sabotage
311 [003]	–	Pilotage d'appels de partition 1 - Ouverture/Fermeture
312 [001]	–	Pilotage d'appels de partition 2 - Alarme/Fin d'alarme
312 [002]	–	Pilotage d'appels de partition 2 - Sabotage/Fin de sabotage
312 [003]	–	Pilotage d'appels de partition 2 - Ouverture/Fermeture
313 [001]	–	Pilotage d'appels de partition 3 - Alarme/Fin d'alarme
313 [002]	–	Pilotage d'appels de partition 3 - Sabotage/Fin de sabotage
313 [003]	–	Pilotage d'appels de partition 3 - Ouverture/Fermeture
314 [001]	–	Pilotage d'appels de partition 4 - Alarme/Fin d'alarme
314 [002]	–	Pilotage d'appels de partition 4 - Sabotage/Fin de sabotage
314 [003]	–	Pilotage d'appels de partition 4 - Ouverture/Fermeture
315 [001]	–	Pilotage d'appels de partition 5 - Alarme/Fin d'alarme
315 [002]	–	Pilotage d'appels de partition 5 - Sabotage/Fin de sabotage
315 [003]	–	Pilotage d'appels de partition 5 - Ouverture/Fermeture
316 [001]	–	Pilotage d'appels de partition 6 - Alarme/Fin d'alarme
316 [002]	–	Pilotage d'appels de partition 6 - Sabotage/Fin de sabotage
316 [003]	–	Pilotage d'appels de partition 6 - Ouverture/Fermeture
317 [001]	–	Pilotage d'appels de partition 7 - Alarme/Fin d'alarme
317 [002]	–	Pilotage d'appels de partition 7 - Sabotage/Fin de sabotage
317 [003]	–	Pilotage d'appels de partition 7 - Ouverture/Fermeture



Section	Option	Description
318 [001]	--	Pilotage d'appels de partition 8 - Alarme/Fin d'alarme
318 [002]	--	Pilotage d'appels de partition 8 - Sabotage/Fin de sabotage
318 [003]	--	Pilotage d'appels de partition 8 - Ouverture/Fermeture
350 [001]	--	Format de communication du récepteur 1
350 [002]	--	Format de communication du récepteur 2
384	2	Options du communicateur de secours

## Notifications

Les réglages suivants de la centrale peuvent modifier le comportement des notifications personnalisées :

Section	Option	Description
015	4	Si cette option est activée, les notifications d'armement de la télécommande ne seront pas associées à un utilisateur en particulier.

## Réglages de la centrale modifiés automatiquement

Certains réglages de la centrale sont automatiquement modifiés quand le module est connecté à la centrale.

Ces réglages ne sont pas modifiés. Il s'agit de :

Section	Option	Valeur	Description
015	6	Éteint	Le code maître n'est pas modifiable et doit être désactivé pour garantir que le module communique le bon code maître.
017	6	Éteint	L'heure légale doit être désactivée pour garantir que l'heure de la centrale est juste.
019	6	Défini selon le réglage Alarm.com du revendeur	Active les modifications du code d'utilisateur sous la contrainte depuis Alarm.com.
024	5	Éteint	L'horloge temps réel doit être désactivée pour garantir que l'heure de la centrale est juste.
377	Déconnexion de zone (Maintenance)	010	La déconnexion de zone pour les signaux de maintenance doit être définie à 010 pour garantir l'envoi des notifications de problème.
377	Délai de communication de panne d'alimentation secteur	Valeur aléatoire entre 001 et 030	Le délai de communication de panne d'alimentation secteur doit être réglé entre 001 et 030 pour garantir que les notifications en cas de panne d'alimentation soient reçues.
377	Délai de transmission de niveau faible de batterie de dispositif sans fil	001	Le délai de transmission de niveau faible de batterie de dispositif sans fil doit être réglé à 001 pour garantir que les notifications en cas de batteries faibles soient reçues.
380	1	Allumé	Les communications doivent être activées de façon à ce que le module puisse communiquer avec la centrale.
380	2	Éteint	Le système doit transmettre immédiatement les fins d'alarme quand la zone est rétablie.
380	5	Éteint	La méthode de communication redondante doit être définie comme méthode de secours.

Section	Option	Valeur	Description
382	6	Éteint	Le délai de communication de panne d'alimentation secteur est en minutes.
804 [capteur #]	003	Délai de cinq minutes [07]	L'arrêt en cas de trafic intense doit être défini à cinq minutes pour les appareils utilisés avec le suivi d'activité de Alarm.com. <b>Remarque</b> : Cette fonction peut réduire la durée de vie de la batterie des détecteurs sans fil PIR. Pour éviter ce problème, des détecteurs filaires PIR peuvent être utilisés à la place.

#### Horloge :

Le module TL8803GI-EU règle l'horloge de la centrale quand elle se connecte au service Alarm.com puis se met à jour toutes les 18 heures. Il est important de définir le bon fuseau horaire de la centrale sur le site Web Alarm.com, ou l'heure de la centrale ne sera pas juste. Si un système est mis en route avant que le compte utilisateur ait été créé, le fuseau horaire est défini à **l'heure normale de l'Est**.

## DÉPANNAGE

### Informations sur l'état du module

Les informations sur l'état du module qui permettent de vérifier l'état ou de résoudre les problèmes de connexion du module sont disponibles dans le menus des services interactifs. Pour y accéder, appuyez sur [\*] [8][Code de l'installateur][851]. Consultez le tableau suivant qui énumère les états possibles du module.

État	Description
Au repos	État le plus courant. Le module ne transmet pas de façon active des informations et aucune erreur n'est présente.
Itinérant	Itinérant sur un réseau partenaire.
Absence de la SIM	La carte SIM n'est pas présente.
Mode d'économie d'énergie	L'alimentation secteur est absente.
Inscription...	Le module essaie d'accéder au réseau HSPA
Erreur de connexion	Le modules est inscrit sur le réseau HSPA mais n'arrive pas à se connecter avec le service Alarm.com. Contactez l'assistance technique Alarm.com pour plus d'information.
Erreur radio	La composante radio du module ne fonctionne pas correctement. Effectuez la procédure de mise en route de la centrale et appelez l'assistance technique Alarm.com si le problème persiste.
Erreur serveur	Indique une erreur serveur. Si le problème persiste, il est possible que le compte soit défini de manière incorrecte.
Connecté	Connexion établie et informations transmises aux serveurs Alarm.com.
En cours de connexion...	Lors de l'établissement de la connexion au service Alarm.com.
Actualisation en cours...	Actualisation de la force du signal.

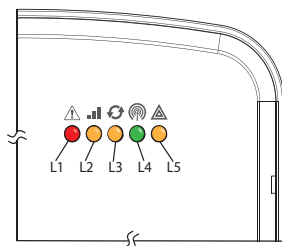
En outre, certaines informations sont récupérables par un appui prolongé des touches du clavier. Appuyez de façon prolongée les touches suivantes de la centrale pendant 2 secondes pour afficher les informations données sur l'écran de la centrale. La plupart des messages sont affichés pendant moins de 30 secondes mais vous pouvez passer outre en appuyant sur la touche 0 pendant 2 secondes.

Touches d'état	Description
Touche 1	Le numéro de série du module à 10 chiffres est nécessaire pour créer le compte client Alarm.com.
Touche 2	Version du micrologiciel du module (par ex. 181a).
Touche 3	Démarrer le test de communication sur la voie de réseau cellulaire. <b>Important</b> : Ce test est obligatoire pour compléter entièrement l'installation.
Touche 4	Démarrer le test de communication sur la voie de réseau haut débit.
Touche 5	Force du signal sans fil et erreur ou état du module, si applicable. La centrale affiche la force du signal avec des barres (de 0 à 5) et avec une valeur numérique (de 0 à 31) suivi par le mode de connexion.
Touche 6	Tension de batterie comme mesurée par le module, à la place des deux chiffres décimaux, et l'état de l'alimentation secteur. (par exemple, batterie : 6,79 V, Alim. secteur OK).
Touche 7	À utiliser uniquement à la demande de l'assistance technique Alarm.com
Touche 8	Fréquence HSPA utilisée par le module : « Haute » = 900 MHz, 2 100 MHz ; « Basse » = 850 MHz. La centrale précise aussi le type de réseau « 3G » ou « 2G » selon votre couverture, mais tentera toujours de se connecter en couverture 3G.

## Voyants lumineux de dépannage

Les voyants lumineux d'état indiquent l'état du module et du réseau. La figure suivante illustre l'emplacement des voyants d'état sur le module TL8803GI.

### Voyants d'état



### Fonctions du voyant

Voyant	Fonction
1	Voyant d'erreur générale et de réseau cellulaire. Clignote de 1 à 8 fois pendant un intervalle de 8 secondes pour indiquer une erreur spécifique. Voir le paragraphe « Voyant L1 (rouge) » pour les erreurs et les corrections communes.
2	Erreurs du réseau haut débit et communication de la centrale. Clignote de 2 à 8 fois pendant un intervalle de 8 secondes pour indiquer une erreur spécifique sur la voie de réseau haut débit. Clignote brièvement également à chaque fois que le module communique avec la centrale. Voir le paragraphe « Voyant L2 (jaune) » pour les erreurs et les corrections communes.
3	Communication sur réseau cellulaire. Clignote à chaque fois que le niveau du signal du réseau cellulaire est vérifié et lorsque des paquets sont échangés avec Alarm.com.
4	Force du signal du réseau cellulaire. Clignote de 0 à 5 fois pour indiquer la force du signal ou s'allume/s'éteint progressivement lors de communication avec les serveurs Alarm.com.
5	Voyant d'état et d'erreur Z-Wave. Voir le paragraphe « Voyant L5 (jaune) » pour les séquences.

### Voyants dans le détail

#### Voyant L1 (rouge)

Le voyant L1 clignote en cas d'erreur générale ou d'erreur sur la voie de réseau cellulaire. Le nombre de clignotements indique le code d'erreur. Si deux ou plusieurs erreurs se produisent simultanément, les codes d'erreur sont indiqués l'un après l'autre. Le voyant reste éteint au moins quatre secondes entre les codes d'erreur.

Nombre de clignotements	Erreur et solution
1	Le module n'arrive pas à communiquer avec la centrale. Vérifiez que l'option [5] de la section [382] est activée. Vérifiez que la version logicielle de la centrale est égale à 1.1 ou supérieure. Vérifiez les connecteurs (entre la centrale et le communicateur), puis éteignez et rallumez la centrale. Si l'erreur persiste, la centrale ou le module rencontre un problème.

Nombre de clignotements	Erreur et solution
2	La carte SIM n'est pas présente. Repérez le logement de la carte SIM sur le module. Vérifiez que la carte SIM est présente et bien logée.
3	Le module essaie d'accéder au réseau HSPA. Si l'erreur persiste pendant plus de quelques minutes, le module rencontre un problème d'inscription sur le réseau HSPA. Vérifiez le niveau de signal à l'aide du voyant L4. Si le niveau de signal est inférieur à 2 « barres », déplacez la centrale ou utilisez une antenne supplémentaire déportée. Si la réception du signal est correcte, le module est peut être en itinérance sur un réseau HSPA non en partenariat avec votre fournisseur de téléphonie HSPA. Il est également possible que la carte SIM n'a pas été encore activée parce que le compte Alarm.com n'a pas été créé correctement.
4	Le module est inscrit sur le réseau HSPA mais n'arrive pas à se connecter avec le service Alarm.com. Mettez hors tension le module, patientez une minute, remettez sous tension et réalisez un test de communication. Vérifiez la force du signal et essayez de repositionner le module ou l'antenne. Si le problème persiste, contactez l'assistance technique Alarm.com.
5	La composante radio du module ne fonctionne pas correctement. Si ce problème persiste pendant plus de quelques minutes, le module doit être éventuellement remplacé. Cette erreur se produit rarement, vérifiez donc que le voyant du module clignote 5 fois.
6	L'erreur est effective uniquement si le problème persiste pendant plus d'une minute. Sinon, il indique que le module tente de corriger une condition inhabituelle concernant la communication sur le réseau HSPA.
7	Le module n'est pas compatible avec ce type de centrale. Veuillez insérer un module compatible.
8	Si le problème persiste, il est possible que le compte soit défini de manière incorrecte. Contactez l'assistance technique Alarm.com. Il vous sera demandé de vérifier le numéro de série du module.

### Voyant L2 (jaune)

Le voyant L2 indique une erreur sur la voie de réseau haut débit et clignote également à chaque communication entre le module et la centrale en cas de présence d'une erreur. La séquence normale comporte cinq clignotements rapides toutes les deux secondes en mode repos ou toutes les quatre secondes en mode d'économie d'énergie.

Nombre de clignotements	Erreur et solution
1	Clignote à chaque communication avec la centrale, sauf lorsque le voyant indique une erreur de réseau haut débit. Il s'agit d'un comportement normal.
2	Le module n'arrive pas à établir une connexion avec le routeur. Vérifiez la connexion physique ou le câblage au routeur. Vérifiez que le filtrage d'adresse MAC est désactivé sur le routeur ou ajoutez l'adresse MAC du module à la liste des adresses MAC autorisées du routeur. Vérifiez que le protocole DHCP est activé sur le routeur.
3	Le module n'arrive pas à établir une connexion à Internet. Vérifiez que d'autres appareils sur le même réseau sont en mesure de se connecter, que la centrale est alimentée par le secteur et qu'il n'y a aucun réglage spécial de gestion de réseau ou de pare-feu s'exécutant sur le routeur.
4	Le module n'arrive pas à établir une communication avec Alarm.com. Contactez l'assistance technique Alarm.com.
6	Le moteur de gestion Alarm.com n'arrive pas à joindre le module en raison d'une erreur avec le pare-feu local qui bloque les signaux arrivant sur le module.

### Voyant L3 (jaune)

Le voyant L3 clignote à chaque communication entre le module et son unité radio en mode repos, et à chaque communication avec Alarm.com en mode connecté. En mode d'économie d'énergie, ce voyant clignote

conjointement au voyant 2.

### Voyant L4 (vert)

L4 indique le niveau de signal HSPA par un certain nombre de clignotements (0 à 5 barres). Le nombre de barres peut ne pas correspondre aux barres affichées sur votre téléphone mobile. Un niveau de 5 barres n'est obtenu que dans des conditions optimales de réception de signal.

Le niveau de signal est actualisé toutes les dix secondes s'ils varient ou toutes les 30 secondes s'il est relativement stable. Si le voyant L4 ne clignote pas, l'un des états suivants se présente :

- Le module est en mode d'économie d'énergie
- Le module vient juste d'être allumé
- La zone n'est pas couverte par le réseau HSPA. Alarm.com préconise un niveau de signal stable de 2 ou supérieur pour un bon fonctionnement du module.

**Remarque :** En mode connecté, le voyant s'allume et s'éteint.

### Voyant L5 (jaune)

Le voyant L5 indique l'état et les codes d'erreur Z-Wave. Voir le tableau ci-dessous pour plus d'informations.

Nombre de clignotements	Erreur ou état de l'appareil
1	Opération d'ajout ou de suppression de nœud réussie (durée de 60 secondes)
2	Mode de suppression
3	Échec de la tentative d'ajout d'un nœud (durée de 60 secondes) parce que l'appareil est déjà en réseau.
4	Mode d'ajout
5	Mode de réplication
6	Erreur du mode d'acquisition (durée de 60 secondes)
7	Aucune information concernant le nœud
8	Aucun autre nœud dans le réseau

## Les différents états du module (modes)

Il existe quatre états ou modes pour le module, comme décrit ci-après :

Mode	Description
Au repos	L'alimentation secteur est normale et le module n'est pas en train de communiquer avec Alarm.com. L1 - Clignote en cas d'erreurs générales ou de réseau cellulaire, le cas échéant L2 - Clignote en cas d'erreurs de réseau haut débit, le cas échéant ; communication avec la centrale L3 - Communication avec l'unité radio L4 - Niveau de signal (0 à 5 barres) L5 - Clignote en cas d'erreurs ou état Z-Wave, le cas échéant

Mode	Description
Économie d'énergie	Le module vient juste d'être allumé, l'alimentation secteur est coupé ou récemment rétablie et la batterie est en charge. Le module est complètement opérationnel et passera en mode connecté dès qu'un signal a besoin d'être émis. Appuyez longuement sur la touche 5 pendant 2 secondes pour faire passer le module en mode repos et actualiser la mesure du niveau de signal. Le système passera en mode repos toutes les 2 heures pour vérifier la présence de messages entrants. L1 - Inactif L2 - Communication avec la centrale L3 - Même séquence de clignotement que L2 L4 - Inactif L5 - Inactif
Connecté	Le module est en train de communiquer avec Alarm.com. Le module reste en mode connecté pendant au moins quatre minutes après avoir reporté un événement à Alarm.com, à moins d'appuyer longuement sur la touche 5 pendant 10 secondes, ce qui fera repasser le module en mode repos. L1 - Clignote en cas d'erreurs générales ou de réseau cellulaire, le cas échéant L2 - Clignote en cas d'erreurs de réseau haut débit, le cas échéant ; communication avec la centrale L3 - Communication avec Alarm.com L4 - S'allume deux secondes, puis s'éteint deux secondes alternativement L5 - Clignote en cas d'erreurs ou état Z-Wave, le cas échéant
Veille	La centrale n'est pas connectée à l'alimentation secteur ou il y a une panne d'alimentation secteur et le niveau de la batterie est faible. Le module se connectera à Alarm.com pour émettre un signal, sinon il ne consommera presque pas d'énergie.

**Remarque :** Si le module TL8803GI est hors tension pendant une période prolongée, les messages en attente de Alarm.com seront éventuellement reçus au rétablissement de l'alimentation du module.

## Amélioration de la force du signal sans fil

Dès que vous changez de place le module afin d'améliorer la force du signal, il est nécessaire d'actualiser la mesure du signal pour vérifier l'efficacité de ce changement. Pour exécuter une nouvelle mesure, appuyez longuement la touche « 5 » pendant 2 secondes. Dans l'image ci-dessous, le signal radio a 3 des 5 barres ou un niveau 13/31 et l'équipement est connecté au réseau.

```
Radio : 123 __ 13
Connecté
```

Lignes directrices pour obtenir une force de signal sans fil optimale :

- Installez le module au-dessus du niveau du sol le plus haut possible dans la structure.
- Installez le module près ou de façon adjacente au mur extérieur de la structure.
- N'installez pas le module à l'intérieur d'une structure métallique ou près d'objets imposant en métal ou de conduites.
- Mettez à niveau l'antenne. Contactez l'assistance technique DSC pour le choix de l'antenne.

## Instructions destinées au client pour la configuration d'un nouvel utilisateur sur le Web

Ce paragraphe décrit comment aider votre client à définir son compte sur le site Web et ne concerne que les clients qui disposent d'un abonnement de service interactif avec un compte en ligne (ignorez cette étape si les clients n'utilisent que le module pour la connexion sans fil).

Avant que le client puisse configurer son compte sur le site Web, le compte Alarm.com de ce client doit être créé sur le site du revendeur et le module HSPA associé au compte doit être installé correctement.

Pour se connecter et accéder à son compte, le client peut se rendre sur [www.alarm.com](http://www.alarm.com) (ou à l'adresse du site web du revendeur du client) pour compléter la procédure de configuration d'un nouveau abonné.

Le client aura besoin des éléments suivants :

- Les informations de connexion au site Web et de mot de passe temporaires données dans la lettre de bienvenu de Alarm.com, générées à la création du compte par le revendeur.
- Une liste des capteurs de son système avec les identifiants de zone correspondants.
- Au moins un numéro de téléphone et un courriel où les notifications seront envoyées.

**Remarque :** Au moins un capteur doit être acquis dans la centrale pour compléter la configuration du nouvel abonné. Si l'ensemble des capteurs et des écran tactiles n'a pas été acquis avant de mettre sous tension le module, une liste ajournée des capteurs doit être demandée en effectuant un test de téléphonie HSPA ou une liste ajournée des équipements doit être demandée depuis le site du revendeur.



## MENU DES SERVICES INTERACTIFS

### Menus interactifs

Il est possible d'utiliser le menu des « services interactifs » pour accéder aux informations concernant le module TL8803GI, installer ou supprimer des appareils Z-Wave et configurer d'autres fonctions interactives.

Le menu se fermera après 20 minutes. Reportez-vous aux tableaux suivants pour les options de menu.

### Programmation de l'installateur

Appuyez sur [\*][8] [Code de l'installateur] [851] pour accéder au menu des services interactifs

Menu	Description
--État du module Alarm.com	Faites défiler les différents écrans d'information du module Alarm.com.
--Radio	Force du signal, état de la connexion, état itinérant et erreurs (si présentes)
--Fréquence HSPA	Fréquence HSPA utilisée par le module
--NS	Numéro de série du module. Nécessaire pour créer ou dépanner un compte Alarm.com
--Carte SIM	Numéro de carte SIM. Parfois nécessaire pour dépanner un compte. Non applicable aux systèmes radio CDMA
--Version	Version et sous-version du micrologiciel du module TL8803GI. Exemple : 181a ; 181 = version du micrologiciel du module, a = sous-version
--Avancé – Réseau	À utiliser uniquement à la demande de l'assistance technique Alarm.com
--Configuration Z-Wave <sup>1</sup>	Ce menu est utilisé pour ajouter, supprimer et dépanner des appareils et des réseaux Z-Wave. Pour gérer les dispositifs Z-Wave via le site Web Alarm.com et les applications pour téléphone intelligent, il sera nécessaire d'activer les services Z-Wave sur le compte
--Nombre d'appareils Z-Wave <sup>2</sup>	Le nombre total d'appareil Z-Wave actuellement connu par le module
--Ajouter un appareil Z-Wave <sup>1</sup>	Appuyez sur [*] pour accéder au mode d'ajout Z-Wave. Vérifiez que l'appareil à ajouter est mis en route et à une portée de 1 à 2 mètres de la centrale. Consultez les instructions du fabricant pour connaître les touches à appuyer pour attribuer les appareils
--Supprimer un appareil Z-Wave <sup>1</sup>	Appuyez sur [*] pour supprimer un appareil Z-Wave existant ou pour « réinitialiser » un appareil Z-Wave précédemment acquis dans un autre réseau Z-Wave. Les appareils précédemment acquis doivent être réinitialisés avant de les attribuer dans le module.
--Identifiant de réseau domestique Z-Wave <sup>1</sup>	Appuyez sur [*] pour demander l'identifiant du réseau domestique Z-Wave. Si l'identifiant est 0, vérifiez que le module communique avec le service Alarm.com et que le compte Alarm.com est configuré pour le protocole Z-Wave.
--Option de portée étendue	Appuyez sur [*] pour activer/désactiver la portée étendue
--Test de communications	Appuyez sur [*] pour réaliser le test de communication ADC

### Fonctions personnelles

Appuyez sur [\*][6] [Code maître] pour accéder au menu des fonctions personnelles. Puis faites défiler jusqu'aux services interactifs.

---

<b>Menu</b>	<b>Description</b>
--État du module Alarm.com	Voir section de programmation de l'installateur
--Radio	Voir section de programmation de l'installateur
--Fréquence HSPA	Voir section de programmation de l'installateur
--NS	Voir section de programmation de l'installateur
--Carte SIM	Voir section de programmation de l'installateur
--Version	Voir section de programmation de l'installateur
--Avancé – Réseau	Voir section de programmation de l'installateur
--Configuration Z-Wave <sup>1</sup>	Voir section de programmation de l'installateur
--Nombre d'appareils Z-Wave <sup>1</sup>	Voir section de programmation de l'installateur
--Ajouter un appareil Z-Wave <sup>1</sup>	Voir section de programmation de l'installateur
--Supprimer un appareil Z-Wave <sup>1</sup>	Voir section de programmation de l'installateur
--Identifiant de réseau domestique Z-Wave <sup>1</sup>	Voir section de programmation de l'installateur
--Test de communication	Voir section de programmation de l'installateur

<sup>1</sup> Consultez les instructions d'installation domotique et les manuels sur le site du revendeur Alarm.com pour plus d'informations sur le dépannage et l'attribution d'appareil Z-Wave.

## Garantie limitée

Digital Security Controls garantit le produit contre toute défectuosité matérielles et d'assemblage dans des conditions normales d'utilisation, à l'acheteur original pendant une période de douze mois à partir de la date d'achat. Pendant la période de garantie, Digital Security Controls s'engage, à son choix, à réparer ou à remplacer tout matériel défectueux dès son retour à un dépôt de réparation, sans frais de main d'œuvre et matériels. Tout remplacement et/ou réparation sont garantis pendant le reste de la durée de la garantie originale ou quatre-vingt-dix (90) jours, selon la plus longue. L'acheteur original doit avertir Digital Security Controls par courrier que le matériel ou l'assemblage est défectueux ; dans tous les cas, cette notification doit être reçue avant l'expiration de la période de garantie. Il n'y a absolument aucune garantie sur les logiciels et tous les logiciels sont vendus comme licence d'utilisateur dans le cadre des termes du contrat de licence du logiciel fourni avec le produit. Le client assume toute la responsabilité pour la sélection, installation, et l'entretien de tout produit acheté auprès de DSC. Les produits personnalisés ne sont garantis que dans la mesure où ils ne fonctionnent pas à la livraison. Dans ce cas, DSC peut, à son choix, remplacer le produit ou créditer le client.

## Garantie internationale

La garantie pour les clients internationaux est la même que pour tous les clients au Canada et aux États-Unis, sauf que Digital Security Controls ne sera pas tenu responsable des frais de douanes, taxes ou TVA qui pourraient être dus.

## Procédure pour la garantie

Pour obtenir un service sous garantie, veuillez retourner les produit(s) en question au point d'achat. Tous les distributeurs et vendeurs autorisés ont un programme de garantie. Quiconque retourne des marchandises à Digital Security Controls doit obtenir un préalable un numéro d'autorisation. Digital Security Controls n'acceptera aucun envoi pour lequel une autorisation préalable n'aura pas été obtenue.

## Conditions d'annulation de la garantie

Cette garantie ne s'applique qu'aux vices de matériels et d'assemblage liés à une utilisation normale. Elle ne couvre pas :

- les dommages encourus lors de l'expédition ou la manutention ;
- les dommages causés par un désastre tel qu'un incendie, inondation, vent, tremblement de terre ou foudre ;
- les dommages dus à des causes hors de contrôle de Digital Security Controls tels qu'une tension excessive, choc mécanique ou dégât des eaux ;
- les dommages causés par attachement non autorisé, changements, modifications ou objets étrangers ;
- les dommages causés par des périphériques (à moins que de tels périphériques n'aient été fournis par Digital Security Controls.) ;
- les défauts causés par l'impossibilité de fournir un environnement d'installation adapté aux produits ;
- les dommages causés par l'utilisation des produits pour des usages autres que ceux pour lesquels ils ont été conçus ;
- les dommages découlant d'un mauvais entretien ;
- les dommages provenant de tout autre mauvais traitement, manutention ou utilisation des produits.

## Éléments non couverts par la garantie

En plus des éléments qui annulent la garantie, la garantie ne couvrira pas : (i) les frais de transport au centre de réparation ; (ii) les produits qui ne sont pas identifiés avec l'étiquette de produit de DSC et un numéro de lot ou un numéro de série ; (iii) les produits démontés ou réparés de manière qui affecte la performance ou qui empêche une inspection ou un test adéquats afin de vérifier toute réclamation au titre

de la garantie. Les cartes d'accès ou insignes renvoyés pour être remplacées au titre de la garantie seront remplacées ou créditées selon le choix de DSC. Les produits qui ne sont pas couverts par cette garantie ou qui ne sont plus garantis parce qu'ils sont trop vieux, qu'ils ont été mal utilisés ou endommagés, seront examinés et une devis de réparation sera fourni. Aucune réparation ne sera effectuée avant la réception d'un bon de commande valable envoyé par le client et d'un numéro d'autorisation de renvoi de marchandise (RMA) envoyé par le service client de DSC.

S'il y a un problème de réparation du produit après un nombre raisonnable de tentatives au titre de la présente garantie, les obligations contractuelles de la société Digital Security Controls seront limitées au remplacement du produit, comme seule réparation de l'inobservation de la garantie. En aucun cas Digital Security Controls ne sera tenu responsable des dommages particuliers, accidentels ou indirects basés sur l'inobservation de la garantie, une rupture de contrat, une négligence, une responsabilité stricte ou sur toute autre théorie juridique. De tels dommages incluent, mais ne sont pas limités à, une perte de profit, une perte de produit ou tout autre équipement associé, au coût du capital, coût de remplacement de l'équipement, à l'aménagement ou services, à l'indisponibilité, au temps de rachat, aux réclamations des tiers, notamment les clients, aux dommages et intérêts à la propriété. Dans certaines juridictions, la loi limite ou ne permet pas une exonération de garantie en cas de dommages indirects. Si les lois d'une telle juridiction s'appliquent à une réclamation par ou contre DSC, les limites et les exonérations contenues dans la présente garantie respecteront la loi. Certains États ne permettent pas l'exonération ou la limite de dommages accidentels ou indirects, la déclaration ci-dessus pourrait donc ne pas s'appliquer à votre cas.

## Stipulation d'exonération de garanties

**Cette garantie contient l'entière garantie et demeure à la place de toutes autres garanties, que ce soit expresse ou implicite (incluant toutes garanties implicites de marchandise ou aptitude pour un usage particulier) et de toutes autres obligations ou responsabilités de la part de Digital Security Controls. Digital Security Controls n'assume et n'autorise aucune autre personne prétendant agir de sa part de modifier ou changer cette garantie, n'assume pour cela aucune autre garantie ou responsabilité concernant ce produit.**

**Cette exonération de garanties et garantie restreinte sont gouvernées par les lois de la province de l'Ontario, Canada.**

Digital Security Controls recommande que la totalité du système soit testé régulièrement. Toutefois, même si vous faites des tests périodiques, il peut arriver que le fonctionnement du produit ne soit pas conforme aux spécifications en raison notamment, mais pas exclusivement, d'interventions criminelles ou de panne de courant.

## Verrouillage de l'installateur

Tout produit en retour auprès de DSC avec l'option de verrouillage de l'installateur activée et qui ne montre pas d'autres problèmes sera soumis à une intervention payante.

## Réparations en dehors de la garantie

Digital Security Controls réparera à son choix ou remplacera en dehors de la garantie les produits renvoyés à son usine dans les conditions suivantes. Quiconque retourne des marchandises à Digital Security Controls doit obtenir un préalable un numéro d'autorisation. Digital

Security Controls n'acceptera aucun envoi pour lequel une autorisation préalable n'aura pas été obtenue.

Les produits que Digital Security Controls juge être réparables seront réparés et renvoyés. Les frais prédéterminés par Digital Security Controls et sujets à une révision périodique, seront facturés pour chaque unité réparée.

Les produits que Digital Security Controls juge ne pas être réparables seront remplacés par le produit équivalent le plus proche disponible à ce moment. Le prix du marché en cours du produit de remplacement sera facturé pour chaque unité de remplacement.

## Contrat de licence d'utilisateur final

**IMPORTANT - À LIRE ATTENTIVEMENT :** Le logiciel DSC acheté avec ou sans Produits et Composants est protégé par le droit d'auteur et il est acheté conformément aux modalités du contrat de licence :

Ce Contrat de licence d'utilisation (« CLU ») est une entente légale entre Vous (l'entreprise, l'individu ou l'entité qui a acheté le Logiciel et tout Matériel connexe) et Digital Security Controls, une filiale de Tyco Safety Products Canada Ltd. (« DSC »), le fabricant des systèmes de sécurité intégrés et le développeur du logiciel et de tout produit ou composant connexe (« MATÉRIELS ») que Vous avez acquis.

Si le produit logiciel DSC (« PRODUIT LOGICIEL ») ou « LOGICIEL ») a été conçu pour être accompagné par du MATÉRIEL et s'il n'est PAS accompagné par un nouveau MATÉRIEL, Vous n'avez pas le droit d'utiliser, de copier ou d'installer le PRODUIT LOGICIEL. Le PRODUIT LOGICIEL comprend le logiciel, et peut aussi comprendre des médias connexes, des matériels imprimés et de la documentation « en ligne » ou électronique.

Tout logiciel fourni avec le PRODUIT LOGICIEL qui est lié à un contrat de licence d'utilisation séparé Vous donne des droits conformément aux modalités de ce contrat de licence.

En installant, copiant, téléchargeant, sauvegardant, accédant ou utilisant d'une manière quelconque le PRODUIT LOGICIEL, Vous acceptez inconditionnellement d'être lié par les modalités de ce CLU, même si ce CLU est considéré une modification de tout accord ou contrat antérieur. Si vous n'acceptez pas les modalités du CLU, DSC refuse de Vous octroyer une licence d'utilisation du PRODUIT LOGICIEL et Vous n'avez pas le droit de l'utiliser.

## LICENCES DU PRODUIT LOGICIEL

Le PRODUIT LOGICIEL est protégé par des lois sur le droit d'auteur et des traités internationaux sur le droit d'auteur, ainsi que par d'autres lois et traités de la propriété intellectuelle. Le droit d'utilisation du PRODUIT LOGICIEL est octroyé, pas vendu.

OCTROI DE LA LICENCE Ce CLU vous donne les droits suivants :

**Installation et utilisation du logiciel** - Pour chacune des licences acquises, Vous n'avez le droit d'installer qu'un seul exemplaire du PRODUIT LOGICIEL.

**Utilisation de stockage en réseau** - Le PRODUIT LOGICIEL ne peut pas être installé, accédé, affiché, exécuté, partagé ou utilisé simultanément sur des ordinateurs différents, notamment une station de travail, un terminal ou autre dispositif électronique numérique (« Dispositif »). Autrement dit, si Vous avez plusieurs postes de travail, Vous devrez acheter une licence pour chaque poste de travail où le LOGICIEL sera utilisé.

**Copie de sauvegarde** - Vous pouvez faire des copies de sauvegarde PRODUIT LOGICIEL, mais vous ne pouvez avoir qu'une

seule copie installée par licence à tout moment. Hormis ce qui est expressément prévu dans ce CLU, Vous n'avez pas le droit de faire des copies du PRODUIT LOGICIEL, les matériels imprimés accompagnant le LOGICIEL compris. Hormis ce qui est expressément prévu dans ce CLU, Vous n'avez pas le droit de faire des copies du PRODUIT LOGICIEL, les matériels imprimés accompagnant le LOGICIEL compris.

## DESCRIPTIONS D'AUTRES DROITS ET LIMITES

**Limites relatives à la rétro-ingénierie, à la décompilation et au désassemblage** - Vous n'avez pas le droit de désosser, décompiler ou désassembler le PRODUIT LOGICIEL, sauf et seulement dans la mesure dans laquelle une telle activité est explicitement permise par la loi en vigueur, sans égard à ces limites. Vous n'avez pas le droit de faire des changements ou des modifications, quels qu'ils soient, sans la permission écrite d'un dirigeant de DSC. Vous n'avez pas le droit de retirer les notices, les marques ou les étiquettes privatives du Produit Logiciel. Vous devez instituer des mesures raisonnables pour assurer la conformité aux modalités de ce CLU.

**Séparation des Composants** - Le PRODUIT LOGICIEL est fourni sous licence en tant que produit unique. Ses parties composantes ne peuvent pas être séparées pour être utilisées sur plus d'un MATÉRIEL.

**PRODUIT INTÉGRÉ unique** - Si vous avez acquis ce LOGICIEL avec du MATÉRIEL, le PRODUIT LOGICIEL est autorisé à être utilisé avec le MATÉRIEL en tant que produit intégré unique. Dans ce cas, le PRODUIT LOGICIEL ne peut être utilisé qu'avec le MATÉRIEL conformément à ce CLU.

**Location** - Vous n'avez pas le droit de louer, de mettre en bail ou de prêter le PRODUIT LOGICIEL. Vous n'avez pas le droit de le mettre à la disposition d'autres personnes ou de l'afficher sur un serveur ou un site Web.

**Transfert du Produit Logiciel** - Vous pouvez transférer tous vos droits de ce CLU uniquement dans le cadre de la vente ou du transfert permanent du MATÉRIEL, à condition que Vous ne conserviez aucune copie, que Vous transfériez tout le PRODUIT LOGICIEL (tous les composants, les matériels imprimés et autres, toutes les mises à niveau et ce CLU), et à condition que le récipiendaire accepte les conditions de ce CLU. Si le PRODUIT LOGICIEL est une mise à niveau, tout transfert doit également inclure toutes les versions antérieures du PRODUIT LOGICIEL.

**Résiliation** - Sous réserve de tous ses autres droits, DSC se réserve le droit de résilier ce CLU si Vous ne respectez pas les modalités de ce CLU. Dans ce cas, Vous devez détruire toutes les copies du PRODUIT LOGICIEL et toutes ses parties composantes.

**Marques de commerce** - Ce CLU ne Vous donne aucun droit relativement aux marques de commerce ou aux marques de service de DSC ou de ses fournisseurs.

**DROIT D'AUTEUR** - Tous les titres et droits de propriété intellectuelle associés au PRODUIT LOGICIEL (notamment mais pas seulement aux images, photographies et textes incorporés dans le PRODUIT LOGICIEL), les documents imprimés joints et tout exemplaire du PRODUIT LOGICIEL sont la propriété de DSC et de ses fournisseurs. Vous n'avez pas le droit de faire des copies des documents imprimés accompagnant le PRODUIT LOGICIEL. Tous les titres et droits de propriété intellectuelle associés au contenu qui peut être accédé par le biais du PRODUIT LOGICIEL sont la propriété du

propriétaire respectif du contenu et ils peuvent être protégés par le droit d'auteur ou autres lois et traités sur la propriété intellectuelle. Ce CLU ne Vous octroie pas le droit d'utiliser ces éléments. Tous les droits qui ne sont pas expressément octroyés par ce CLU, sont réservés par DSC et ses fournisseurs.

**RESTRICTIONS POUR L'EXPORTATION** - Vous acceptez le fait que Vous n'exporterez pas ou ne réexporterez pas le PRODUIT LOGICIEL dans tout pays, personne ou entité soumis à des restrictions canadiennes à l'exportation.

**CHOIX DES LOIS** - Ce contrat de licence d'utilisation est régi par les lois de la Province de l'Ontario, Canada.

**ARBITRATION** - Tous les conflits survenant relativement à ce contrat seront résolus par un arbitrage définitif et sans appel conformément à la Loi sur l'arbitrage, et les parties acceptent d'être liées par la décision de l'arbitre. Le lieu de l'arbitration sera Toronto, Canada, et le langage de l'arbitration sera l'anglais.

## GARANTIE LIMITÉE

**PAS DE GARANTIE** - DSC FOURNIT LE LOGICIEL « EN L'ÉTAT » SANS GARANTIE. DSC NE GARANTIT PAS QUE LE LOGICIEL SATISFERA VOS EXIGENCES OU QUE L'EXPLOITATION DU LOGICIEL SERA ININTERROMPUE OU SANS ERREUR.

**CHANGEMENTS DU CADRE D'EXPLOITATION** - DSC ne sera pas responsable des problèmes provoqués par des changements dans les caractéristiques du MATÉRIEL, ou des problèmes d'interaction du PRODUIT LOGICIEL avec des LOGICIELS NON-DSC ou AUTRES MATÉRIELS.

**LIMITES DE RESPONSABILITÉ ; LA GARANTIE REFLÈTE L'AFFECTATION DU RISQUE** - DANS TOUS LES CAS, SI UN STATUT QUELCONQUE SUPPOSE DES GARANTIES OU CONDITIONS QUI NE SONT PAS POSTULÉES DANS CE CONTRAT DE LICENCE, TOUTE LA RESPONSABILITÉ ASSUMÉE PAR DSC DANS LE CADRE D'UNE DISPOSITION QUELCONQUE DE CE CONTRAT SERA LIMITÉE AU MONTANT LE PLUS ÉLEVÉ QUE VOUS AVEZ PAYÉ POUR LE CONTRAT DE CE PRODUIT LOGICIEL ET CINQ DOLLARS CANADIENS (5 CAN \$), PARCE QUE CERTAINES JURIDICTIONS NE PERMETTENT PAS L'EXCLUSION OU LES RESTRICTIONS DE RESPONSABILITÉ POUR DOMMAGES INDIRECTS, CES RESTRICTIONS PEUVENT NE PAS S'APPLIQUER DANS VOTRE CAS.

**STIPULATION D'EXONÉRATION DE GARANTIES** - CETTE GARANTIE CONTIENT L'ENTIÈRE GARANTIE ET REMPLACE TOUTES LES AUTRES GARANTIES, QUELLES SOIENT EXPLICITES OU IMPLICITES (NOTAMMENT TOUTES LES GARANTIES IMPLICITES DE MARCHANDISE OU APTITUDE POUR UN USAGE PARTICULIER) ET DE TOUTE AUTRE OBLIGATION OU RESPONSABILITÉ DE DSC. DSC NE FAIT AUCUNE AUTRE GARANTIE. DSC N'ASSUME PAS LA RESPONSABILITÉ ET N'AUTORISE AUCUNE AUTRE PERSONNE PRÉTENDANT AGIR EN SON NOM DE MODIFIER OU DE CHANGER CETTE GARANTIE, N'ASSUME POUR CELA AUCUNE AUTRE GARANTIE OU RESPONSABILITÉ CONCERNANT CE PRODUIT LOGICIEL.

**RECOURS EXCLUSIF ET LIMITE DE GARANTIE** - DSC NE SERA EN AUCUN CAS RESPONSABLE DES DOMMAGES PARTICULIERS, ACCIDENTELS OU INDIRECTS BASÉS SUR UNE INOBSERVATION DE LA

GARANTIE, UNE RUPTURE DE CONTRAT, UNE NÉGLIGENCE, UNE RESPONSABILITÉ STRICTE OU TOUTE AUTRE THÉORIE JURIDIQUE, DE TELS DOMMAGES INCLUENT NOTAMMENT, MAIS PAS EXCLUSIVEMENT, UNE PERTE DE PROFITS, UN ENDOMMAGEMENT DU PRODUIT LOGICIEL OU TOUT AUTRE ÉQUIPEMENT ASSOCIÉ, LE COÛT DU CAPITAL, LE COÛT DE REMPLACEMENT OU DE SUBSTITUTION, DES INSTALLATIONS OU SERVICES, UN TEMPS D'ARRÊT, LE TEMPS DE L'ACHETEUR, LES REVENDICATIONS DE TIERS, Y COMPRIS LES CLIENTS ET LES DOMMAGES À LA PROPRIÉTÉ.

DSC recommande de tester complètement l'ensemble du système régulièrement. Toutefois, malgré des essais réguliers, il peut arriver que le fonctionnement du PRODUIT LOGICIEL ne soit pas conforme aux attentes en raison notamment, mais pas exclusivement, d'interventions criminelles ou de pannes de courant.

## Informations réglementaires

### Remarques pour les installations conformes EN50131-1:2006/A1:2009 :

Le modèle TL8803GI-EU est un émetteur-récepteur de locaux surveillés (SPT) de type X. Le module est logé dans son propre boîtier et il est alimenté par une source électrique ou compatible CIE externe conformément aux exigences de la norme EN50131-6:2008.

Ce produit ne dispose pas de pièces remplaçables ni d'aucune options programmables accessibles via un logiciel (tout est déjà pré-programmé). Ce produit ne nécessite aucune maintenance spécifique pour continuer à fonctionner correctement.

Le module TL8803GI-EU se connecte à des centrales d'alarme compatibles DSC au moyen de l'interface série DSC propriétaire et du protocole PC-Link (converti aussi vers RS-422). Le module fonctionne en mode interconnexion et confirme les alarmes vers la centrale compatible après que l'accusé réception ait été reçu du récepteur d'alarme compatible.

1. Le module TL8803GI-EU sont supervisés par la centrale et sont programmables via le menu de programmation (\* 8, section [851] de la centrale). L'interface est connectée au bus PC-Link comme indiqué par le schéma inclus dans ce manuel. Il n'y a pas de contrôle pour la substitution.
2. La voie sur réseau cellulaire et sur réseau IP est protégée des émissions RF et des champs induits à des niveaux jusqu'à 10 V/m comme établi par la norme EN50130-4.
3. Le module TL8803GI-EU est conforme à des niveaux de rayonnement pour un équipement de classe B comme établi par les normes EN61000-6-3/EN55022/CISPR22.
4. Le module TL8803GI-EU emploie un chiffrement AES128, une supervision par battement de cœur pour toutes les voies de communication sur réseau cellulaire HSPA 3G et satisfait aux niveaux de sécurité S2 comme établi par la norme EN50136-2:2013. Chaque échange de message avec l'équipement récepteur compatible à ARC est authentifié et ces modules satisfont le niveau I2 de sécurité des informations.
5. Le module TL8803GI-EU dispose d'une voie de communication : une voie de communication sur réseau cellulaire HSPA 3G exploitant un réseau cellulaire publique dans les bandes de fréquence 900/1 800/2 100 MHz et une voie Ethernet. Les voies de communication qui peuvent être utilisées en mode autonome/individuel ou de secours (solution de repli) avec un système d'alarme DSC (modèles de centrale d'alarme DSC compatibles : HS2128/064/032/016). La configuration ATS pris en charge est : catégorie personnalisé C.

6. La conformité du module TL8803GI-EU a été testée avec les normes en vigueur suivantes : EN50131-1:2006/A1:2009, EN50136-1:2012, EN50136-2:2013, EN50131-10:2014, ATS configuration : C.

Pour les installations qui respectent la norme EN50131-1:2006/A1:2009, les options de programmation suivantes seront configurées comme indiqué.

Supervision par battement de cœur :

· doit être réglée à 180 s

REMARQUE : Le récepteur compatible à l'emplacement ARC disposera d'une fenêtre de supervision programmée pour 180 s.

Le module TL8803GI-EU est homologué par ALTER TECHNOLOGY TÜV NORD S.A.U. conformément aux exigences des normes EN50131-1:2006/A1:2009, EN50131-10:2014 pour le grade 3, classe II et EN50136-2:2013 configuration : C.

## DÉCLARATION UE DE CONFORMITÉ SIMPLIFIÉE

Le soussigné, Tyco Safety Products Canada Ltd déclare que cet équipement radioélectrique est conforme à la directive 2014/53/UE. Le texte complet de la déclaration UE de conformité est disponible à l'adresse internet suivante :

<http://dsc.com/pdf/1609001>

	Bandes de fréquences	Puissance maximale
Z-wave	868.42 MHz	4 dBm max EIRP
Capteur d'image	868.3 MHz	10 dBm max EIRP
Radio cellulaire	850/900/2100 MHz bands	30 dBm max EIRP

### Point de contact unique en Europe

Tyco Safety Products, Voltaweg 20, 6101 XK Echt, Pays-Bas.

Catégorie C personnalisé ATS	Niveau
EN50136-1:2012 annexe D tableau D.1	D3
EN50136-1:2012 annexe D tableau D.2	M3
EN50136-1:2012 annexe D tableau D.3	T4
EN50136-1:2012 annexe D tableau D.4	A4 (selon le réseau cellulaire exploité)
EN50136-1:2012 annexe D tableau D.5	S1 (utilise le chiffrement AES-128 et les informations d'authentification/séquentielles dans chaque message transmis au récepteur SG)
EN50136-1:2012 annexe D tableau D.6	I1 (emploi le chiffrement AES-128)
EN50136-1:2012 tableau 1	Utilise une seule voie de communication (réseau cellulaire)
EN50136-1:2012 tableau 4	Défaillance ATS reporté vers ARC

Catégorie C personnalisé ATS	Niveau
EN50136-1:2012 tableau 5	Défaillance ATS reporté vers AS (centrale d'alarme compatible DSC HS2128/HS2064/HS2032/HS2016)
EN50136-1:2012 tableau 6	Il n'y a aucun enregistrement de la non-disponibilité
EN50136-2:2013 tableau 1	Aucun fonction de connexion fournie
EN50136-2:2013 tableau 2	Aucune mémoire fournie pour la fonction de connexion
EN50136-2:2013 tableau 3	Défaillance ATS reporté vers ARC

© 2020 Produits de sécurité Tyco Tous droits réservés.  
Johnson Controls, Tyco et DSC sont des marques déposées de Johnson Controls.  
Support technique : 1-800-387-3630 (Canada et États-Unis) ou 905-760-3000  
[www.dsc.com](http://www.dsc.com)

Les marques déposées, les logos et les marques de service présents dans ce document sont enregistrés aux États-Unis et/ou dans d'autres pays. Toute utilisation frauduleuse des marques déposées est strictement interdite et Tyco renforcera de manière agressive ses droits de propriété intellectuelle aussi loin que la loi applicable l'autorise, y compris les cas de poursuite criminelle, le cas échéant. Toutes les marques déposées, qui ne sont pas de la propriété de Tyco, sont de la propriété exclusive de leurs propriétaires respectifs et sont utilisées avec leur permission ou autorisées en vertu des lois en vigueur.

Les offres de produit et les caractéristiques sont sujettes à modification sans préavis. Les photographies présentées peuvent différer des produits réels. Toutes les caractéristiques ne sont pas disponibles sur tous les produits. La disponibilité des produits varie en fonction des régions, contactez votre représentant local.

# Controlador de doble ruta TL8803GI-EU



**ADVERTENCIA:** Este manual contiene información sobre las limitaciones con respecto al uso y función del producto, así como información sobre las limitaciones relacionadas con la responsabilidad civil del fabricante. Debe leerse todo el manual cuidadosamente.



<b>Advertencia: Instalador lea cuidadosamente</b> .....	<b>3</b>
<b>Presentación de Alarm.com</b> .....	<b>5</b>
<b>Módulo IP/HSPA 3G - TL8803GI-EU</b> .....	<b>5</b>
<b>Características</b> .....	<b>6</b>
<b>Características del comunicador</b> .....	<b>6</b>
<b>Compatibilidad del comunicador</b> .....	<b>7</b>
<b>Instalación</b> .....	<b>8</b>
<b>Herramientas y suministros requeridos</b> .....	<b>8</b>
<b>Instrucciones de montaje para el modelo TL8803GI-EU</b> .....	<b>8</b>
<b>Paso 1: Habilitar módulo</b> .....	<b>9</b>
<b>Paso 2: Conectar el TL8803GI-EU</b> .....	<b>9</b>
<b>Paso 3: Verificar el código del instalador para activar el módulo Alarm.com</b> .....	<b>12</b>
<b>Paso 4: Realizar la prueba de doble ruta (Módulo de registro)</b> .....	<b>12</b>
<b>Paso 5: Permitir la programación automática del módulo</b> .....	<b>12</b>
<b>Asociar sensor de imagen de Alarm.com</b> .....	<b>13</b>
<b>Configuración del panel</b> .....	<b>13</b>
Notificaciones .....	14
Configuración del panel modificada automáticamente .....	15
Reloj .....	16
<b>Solución de problemas</b> .....	<b>17</b>
<b>Información de estado del módulo</b> .....	<b>17</b>
<b>LED de solución de problemas</b> .....	<b>18</b>
LED L1 (rojo) .....	18
LED L2 (amarillo) .....	19
LED L3 (amarillo) .....	19
LED L4 (verde) .....	19
LED L5 (amarillo) .....	20
<b>Estados diversos de módulo (Modos)</b> .....	<b>20</b>
<b>Mejora de la potencia de la señal inalámbrica</b> .....	<b>21</b>
<b>Guía para el cliente para la configuración de usuario nuevo en la web</b> .....	<b>21</b>
<b>Menú de servicio interactivo</b> .....	<b>23</b>
<b>Menús interactivos</b> .....	<b>23</b>
<b>Programación del instalador</b> .....	<b>23</b>
<b>Funciones de usuario</b> .....	<b>23</b>
<b>Garantía Limitada</b> .....	<b>25</b>
<b>Acuerdo de licencia de usuario final</b> .....	<b>26</b>
<b>Información reglamentaria</b> .....	<b>27</b>

# Advertencia: Instalador lea cuidadosamente

## Nota para los Instaladores

Las Advertencias en esta página contienen información vital. Como el único individuo en contacto con los usuarios del sistema, es su responsabilidad informar sobre cada artículo en esta advertencia a los usuarios de este sistema.

## Fallas del Sistema

El sistema ha sido cuidadosamente diseñado para ser tan efectivo como sea posible. Hay circunstancias, sin embargo, incluyendo incendio, robo u otro tipo de emergencias donde no podrá proveer protección. Cualquier sistema de alarma de cualquier tipo puede ser comprometido deliberadamente o puede fallar al operar como se espera por una cantidad de razones. Algunas pero no todas pueden ser:

### Acceso por Intrusos

Los intrusos pueden entrar a través de un punto de acceso no protegido, burlar un dispositivo de sensor, evadir detección moviéndose a través de un área de cubrimiento insuficiente, desconectar un dispositivo de advertencia, o interferir o evitar la operación correcta del sistema.

### Falla de un Componente

A pesar que todos los esfuerzos que se han realizado para hacer que el sistema sea lo más confiable, el sistema puede fallar en su función como se ha diseñado debido a la falla de un componente.

### Compromiso de Frecuencia de Radio (Inalámbricos)

Las señales no podrán alcanzar el receptor bajo todas las circunstancias las cuales incluyen objetos metálicos colocados en o cerca del camino del radio o interferencia deliberada y otra interferencia de señal de radio inadvertida.

### Conocimiento Criminal

Este sistema contiene características de seguridad las cuales fueron conocidas para ser efectivas en el momento de la fabricación. Es posible que personas con intenciones criminales desarrollen técnicas las cuales reducen la efectividad de estas características. Es muy importante que el sistema de seguridad se revise periódicamente, para asegurar que sus características permanezcan efectivas y que sean actualizadas o reemplazadas si se ha encontrado que no proporcionan la protección esperada.

### Falla en Baterías Reemplazables

Los transmisores inalámbricos de este sistema han sido diseñados para proporcionar años de duración de la batería bajo condiciones normales. La esperada vida de duración de la batería, es una función del ambiente, el uso y el tipo del dispositivo. Las condiciones ambientales tales como la exagerada humedad, altas o bajas temperaturas, o cantidades de oscilaciones de temperaturas pueden reducir la duración de la batería. Mientras que cada dispositivo de transmisión tenga un monitor de batería bajo el cual identifica cuando la batería necesita ser reemplazada, este monitor puede fallar al operar como es debido. Pruebas y mantenimiento regulares mantendrán el sistema en buenas condiciones de funcionamiento.

### Instalación Inadecuada

Un sistema de seguridad debe ser instalado correctamente en orden para proporcionar una adecuada protección. Cada instalación debe ser evaluada por un profesional de seguridad, para asegurar que todos

los puntos y las áreas de acceso están cubiertas. Cerraduras y enganches en ventanas y puertas deben estar seguras y operar como está diseñado. Ventanas, puertas, paredes, cielo rasos y otros materiales del local deben poseer suficiente fuerza y construcción para proporcionar el nivel de protección esperado. Una reevaluación se debe realizar durante y después de cualquier actividad de construcción. Una evaluación por el departamento de policía o bomberos es muy recomendable si este servicio está disponible.

### Prueba Incorrecta

La mayoría de los problemas que evitan que un sistema de alarma falle en operar como es debido puede ser encontrada por medio de pruebas y mantenimiento regular. Todo el sistema debe ser probado semanalmente e inmediatamente después de una intrusión, un intento de intrusión, incendio, tormenta, terremoto, accidente o cualquier clase de actividad de construcción dentro o fuera de la premisa. La prueba debe incluir todos los dispositivos de sensor, teclados, consolas, dispositivos para indicar alarmas y otros dispositivos operacionales que sean parte del sistema.

### Tiempo Insuficiente

Pueden existir circunstancias cuando el sistema funcione como está diseñado, y aún los ocupantes no serán protegidos de emergencias debido a su inhabilidad de responder a las advertencias en cuestión de tiempo. Si el sistema es supervisado, la respuesta puede no ocurrir a tiempo para proteger a los ocupantes o sus pertenencias.

### Detectores de Movimiento

Los detectores de movimiento solamente pueden detectar movimiento dentro de las áreas designadas como se muestra en las respectivas instrucciones de instalación. Los detectores de movimiento no pueden discriminar entre intrusos y los que habitan el local o residencia. Los detectores de movimiento no proporcionan un área de protección volumétrica. Estos poseen múltiples rayos de detección y el movimiento solamente puede ser detectado en áreas no obstruidas que están cubiertas por estos rayos. Ellos no pueden detectar movimiento que ocurre detrás de las paredes, cielo rasos, pisos, puertas cerradas, separaciones de vidrio, puertas o ventanas de vidrio. Cualquier clase de sabotaje ya sea intencional o sin intención tales como encubrimiento, pintando o regando cualquier tipo de material en los lentes, espejos, ventanas o cualquier otra parte del sistema de detección perjudicará su correcta operación. Los detectores de movimiento pasivos infrarrojos operan detectando cambios en la temperatura. Sin embargo su efectividad puede ser reducida cuando la temperatura del ambiente aumenta o disminuye de la temperatura del cuerpo o si hay orígenes intencionales o sin intención de calor en o cerca del área de detección. Algunos de los orígenes de calor pueden ser calentadores, radiadores, estufas, asadores, chimeneas, luz solar, ventiladores de vapor, alumbrado y así sucesivamente.

### Falla de Energía

Las unidades de control, los detectores de intrusión, detectores de humo y muchos otros dispositivos de seguridad requieren un suministro de energía adecuada para una correcta operación. Si un dispositivo opera por baterías, es posible que las baterías fallen. Aún si las baterías no han fallado, estas deben ser cargadas, en buena condición e instaladas correctamente. Si un dispositivo opera por corriente CA, cualquier interrupción, aún lenta, hará que el dispositivo no funcione mientras no tiene energía. Las interrupciones de energía de cualquier duración son a menudo acompañadas por fluctuaciones en el voltaje lo cual puede dañar equipos electrónicos tales como sistemas de seguridad. Después de que ocurre una interrupción de energía, inmediatamente conduzca una prueba completa del sistema para asegurarse que el sistema esté funcionando como es debido.

---

## **Seguridad y Seguro**

A pesar de sus capacidades, un sistema de alarma no es un sustituto de un seguro de propiedad o vida. Un sistema de alarma tampoco es un sustituto para los dueños de la propiedad, inquilinos, u otros ocupantes para actuar prudentemente a prevenir o minimizar los efectos dañinos de una situación de emergencia.

### **Detectores de Humo**

Los detectores de humo, que son una parte del sistema, pueden no alertar correctamente a los ocupantes de un incendio por un número de razones, algunas son las siguientes. Los detectores de humo pueden haber sido instalados o ubicados incorrectamente. El humo no puede ser capaz de alcanzar los detectores de humo, como cuando el fuego es en la chimenea, paredes o techos, o en el otro lado de las puertas cerradas. Los detectores de humo no pueden detectar humo de incendios en otros niveles de la residencia o edificio. Cada incendio es diferente en la cantidad de humo producida y la velocidad del incendio. Los detectores de humo no pueden detectar igualmente bien todos los tipos de incendio. Los detectores de humo no pueden proporcionar una advertencia rápidamente de incendios causados por descuido o falta de seguridad como el fumar en cama, explosiones violentas, escape de gas, el incorrecto almacenamiento de materiales de combustión, circuitos eléctricos sobrecargados, el juego con fósforos por parte de los niños o un incendio provocado. Aún si el detector de humo funciona como está diseñado, pueden haber circunstancias donde hay insuficiente tiempo de advertencia para permitir a los ocupantes escapar a tiempo para evitar heridas o muerte.

### **Líneas Telefónicas**

Si las líneas telefónicas son usadas para transmitir alarmas, ellas pueden estar fuera de servicio u ocupadas por cierto tiempo. También un intruso puede cortar la línea o sabotear su operación por medios más sofisticados lo cual sería de muy difícil la detección.

### **Dispositivos de Advertencia**

Los dispositivos de advertencia, tales como sirenas, campanas, bocina, o estroboscópicos no podrán alertar o despertar a alguien durmiendo si hay una puerta o pared intermedio. Si los dispositivos de advertencia están localizados en un nivel diferente de la residencia o premisas, por lo tanto es menos posible que los ocupantes puedan ser advertidos o despertados. Los dispositivos de advertencia audible pueden ser interferidos por otros orígenes de ruidos como equipos de sonido, radios, televisión, acondicionadores de aire u otros electrodomésticos., o el tráfico. Los dispositivos de advertencia audible, inclusive de ruido fuerte, pueden no ser escuchados por personas con problemas del oído.

---

## IMPORTANTE

Este manual de instalación deberá utilizarse en conjunto con el manual de instalación del panel de control disponible en línea en el sitio web de DSC en [www.dsc.com](http://www.dsc.com). Todas las instrucciones de seguridad especificadas en este manual deberán cumplirse. El panel de control es referido como el “panel” a través de este documento. Esta guía de instalación ofrece la información básica de cableado, programación y solución de problemas.

El comunicador de alarma es fijo y para montaje en pared, y deberá ser instalado en la ubicación especificada en este instructivo. El módulo comunicador de alarma NO se debe instalar dentro de la carcasa del panel de alarma metálico, de lo contrario, afectará significativamente las transmisiones celulares y RF (Z-Wave). El gabinete del equipo debe estar totalmente armado y cerrado, con todos los tornillos y/o lengüetas necesarios y fijado a una pared antes de su operación. El cableado interno debe ser trazado a fin de prevenir:

- Tensión excesiva sobre el cable y sobre las conexiones de terminales,
- Interferencia entre el cableado de energía limitada y de energía no limitada,
- Holgura de la conexiones de terminales, o
- Daño al aislamiento del conductor.

**Advertencia: Nunca instale este equipo durante una tormenta eléctrica.**

## Información sobre seguridad

El Instalador deberá instruir al usuario del sistema sobre cada uno de los siguientes ítems:

- No intente reparar este producto. La apertura o remoción de las tapas puede exponer al usuario a tensiones peligrosas o a otros riesgos.
- Cualquier reparación deberá ser realizada solamente por técnicos de servicio.
- Utilice solamente accesorios autorizados con este equipo.
- No permanezca en las cercanías del equipo durante la operación del dispositivo.
- No toque la antena externa.

## Presentación de Alarm.com

El propósito de esta guía es ofrecer instrucciones de instalación y operación para el módulo comunicador Alarm.com. Las siguientes secciones ofrecen una descripción breve de sus capacidades. Algunas capacidades y características varían basándose en el plan de servicio Alarm.com seleccionado. Visite [www.alarm.com/Dealer](http://www.alarm.com/Dealer) o contacte a Alarm.com para más información.

**Nota:** El módulo de doble ruta IP/HSPA 3G está disponible en el modelo TL8803GI-EU.

**Nota:** La funcionalidad del sensor de imagen puede no estar habilitado en todas las regiones.

El módulo TL8803GI-EU contiene el subconjunto IP/Radio y la conexión PC-Link a la interfaz de conversión RS422. El módulo es compatible exclusivamente con los modelos de Unidad de control de alarma NEO HS2128, HS2064, HS2032 y HS2016, versiones de software 1.1 y superiores.

## Módulo IP/HSPA 3G - TL8803GI-EU

El módulo de doble ruta permite generar los informes inalámbricos de todas las alarmas y otros eventos del sistema desde el panel de control NEO DSC usando una red inalámbrica (celular) HSPA digital o una red Ethernet. El módulo puede ser utilizado como ruta de comunicación primaria para todas las señales de alarma, o como una copia de seguridad de una conexión telefónica a la estación central de monitoreo. El servicio de señalización y enrutamiento de alarma inalámbrica es operado por Alarm.com. El módulo HSPA también cuenta con soporte integrado para la solución de automatización del hogar de Alarm.com con capacidades de Z-Wave incorporadas.

**Nota:** La solución de automatización para el hogar de Alarm.com con capacidades Z-Wave integradas no ha sido evaluada por EN50131-1:2006/A1:2009 y EN50136-1:2012.

## Información de contacto

Para información adicional y apoyo sobre los módulos de Alarm.com, configuración inicial de la cuenta, automatización del hogar y todos los otros productos y servicios de Alarm.com, visite: [www.Alarm.com/dealer](http://www.Alarm.com/dealer) o contacte con el soporte técnico de Alarm.com al: 1-866-834-0470.

## Características

- Encriptación AES de 128-bits vía celular e Internet.
- Comunicación de alarma celular de respaldo o primaria y puerto Ethernet.
- Cambia automáticamente a 2G (EDGE/GPRS) si el servicio HSPA (3G) no está disponible.
- Informe completo de eventos a la estación central.
- Transmisión de prueba periódica de celular.
- Enrutamiento de llamada integrada.
- Compatible para carga/descarga remota del panel vía celular o Internet.
- Conexión PC-LINK.
- Etiquetas programables.
- Formatos SIA y CID (Identificador de contacto) soportados.
- Pantalla LED de intensidad de señal y de problemas.
- Tarjeta de Módulo de Identidad del Suscriptor (SIM) incluida con el comunicador.
- Señales de monitoreo de supervisión enviadas vía celular.
- Capacidad de audio bidireccional si se usa el módulo de audio HSM2955(R) - Consulte el manual HSM2955(R).

## Características del comunicador

Modelo	TL8803GI-EU
<b>Clasificaciones de la fuente de alimentación</b>	
Voltaje de entrada	11,3 V a 12,5 V CC (Panel de control compatible NEO proporcionado por DSC)
<b>Consumo actual</b>	
Corriente en espera (valor promedio)	100 mA a 12 V (I)
Corriente (de transmisión) de alarma (Valor de pico)	200 mA a 12 V (I)
Red celular	HSPA 3G
Frecuencia de operación	Cuatribanda GSM/GPRS/EDGE + HSPA en 850/900/2100MHz
<b>Especificaciones ambientales</b>	
Temperatura de operación	-10°C a 55°C
Temperatura de almacenamiento	-34°C a 60°C
Humedad	93% HR sin condensación
<b>Especificaciones mecánicas</b>	
Dimensiones	6" x 8,9" x 1,3"
Peso	365 g (I)

---

## Compatibilidad del comunicador

Alternativo	Receptor/ Panel	Descripción
TL8803GI-EU	Receptor	<ul style="list-style-type: none"><li>• Receptor Sur-Gard System I-IP, versión 1.13+</li><li>• Receptor Sur-Gard System II, versión 2.10+</li><li>• Sur-Gard SG-DRL3-IP, versión 2.30+ (para Receptor Sur-Gard System III)</li><li>• Sur-Gard SG DRL4 IP, versión 1.20+ (para Receptor Sur-Gard System IV)</li><li>• Sur-Gard SG DRL5 IP, versión 1.00+ (para Receptor Sur-Gard System 5)</li></ul>
	Panel	<ul style="list-style-type: none"><li>• HS2016, versión 1.1+</li><li>• HS2032, versión 1.1+</li><li>• HS2064, versión 1.1+</li><li>• HS2128, versión 1.1+</li></ul>

**Nota:** Ingrese [\*][8][Código de Instalador][900][000] en el teclado numérico para ver el número de Versión del Panel.

Los productos o componentes de productos que solo realicen funciones de comunicación deberán cumplir con los requisitos aplicables a los equipos de comunicación especificado en EN60950-1, Equipos de tecnología de la información - Seguridad - Parte 1: Requisitos Generales. Tales componentes incluyen, a título ilustrativo: hubs, enrutadores, NIDs, Proveedores de servicio de comunicación de terceros, Módems DSL y Módems por vía cable.

## INSTALACIÓN

Siga estas pautas durante la instalación.

- Antes de colocar el comunicador en la pared, compruebe el nivel de señal HSPA en la ubicación de la instalación. En el teclado, mantenga presionada la tecla 5 durante 2 segundos para ver el nivel de la señal HSPA. Se recomienda una ubicación de instalación con un nivel de señal sostenida de dos o más barras.
- No exceda la potencia de salida máxima del panel cuando use la alimentación del panel para el módulo TL8803GI-EU, cableado de sensores y/o sirenas. Consulte los detalles en las instrucciones de instalación del panel específico. Sólo se puede utilizar un módulo por panel.
- Para minimizar la posible interferencia con la señalización celular, evite montar el comunicador en áreas con metales o cableados eléctricos excesivos, tales como hornos o salas de máquinas.

No monte el comunicador TL8803GI-EU dentro del gabinete metálico del panel de alarma.

### Herramientas y suministros requeridos

Necesitará las herramientas y suministros siguientes:

- Desarmadores de punta plana y Phillips
- Tornillos (incluidos)
- Antena (incluida)
- Cable de cinta de 16 pines (incluido)

### Instrucciones de montaje para el modelo TL8803GI-EU

Antes de fijar el equipo en la pared, verifique que el nivel de la señal HSPA disponible en el lugar de instalación sea fuerte.

Monte el TL8803GI-EU en un lugar seco, seguro y no peligroso.

Para montaje en pared:

1. Inserte un destornillador de cabeza plana en las ranuras y haga palanca para retirar la cubierta frontal.

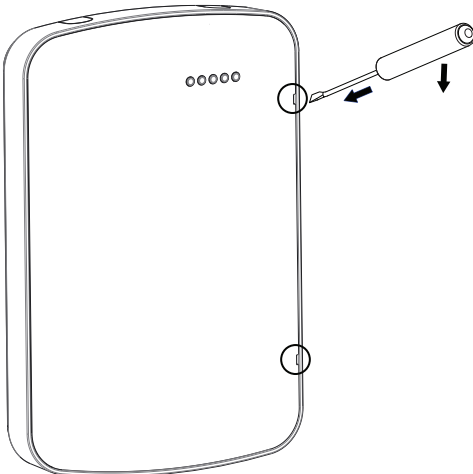


Figure 1: extracción de la cubierta frontal

2. Para la conexión de los cables, retire las dos lengüetas de separación del lado de la placa posterior.

3. Pase los cables RS422 y Ethernet a través de las abrazaderas de sujeción como se muestra en el diagrama 2. Pase los cables en la dirección indicada por las flechas.

Para obtener información sobre las especificaciones de alimentación del panel de control, consulte el manual de instalación del panel de control.

**Precaución:** Realice la conexión de todo el cableado de acuerdo con las normas y regulaciones locales.

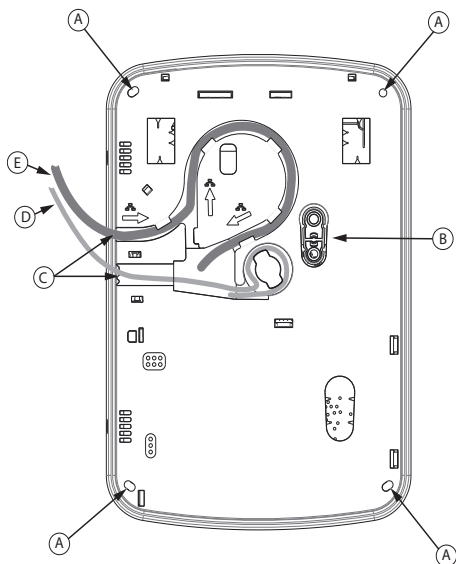


Figure 2: placa posterior del TL8803GI-EU

A: Agujeros de montaje

B: Placa antisabotaje de pared

C: Lengüetas de separación

D: Cable RS422

E: Cable de ethernet

4. Asegure la placa posterior a la pared con los 4 orificios de montaje. Ver Figura 2.

Utilice los 4 tornillos suministrados. Utilice los anclajes de plástico si se monta en una pared de panel de yeso. Si utiliza el dispositivo antisabotaje, asegure la placa antisabotaje a la pared con un tornillo.

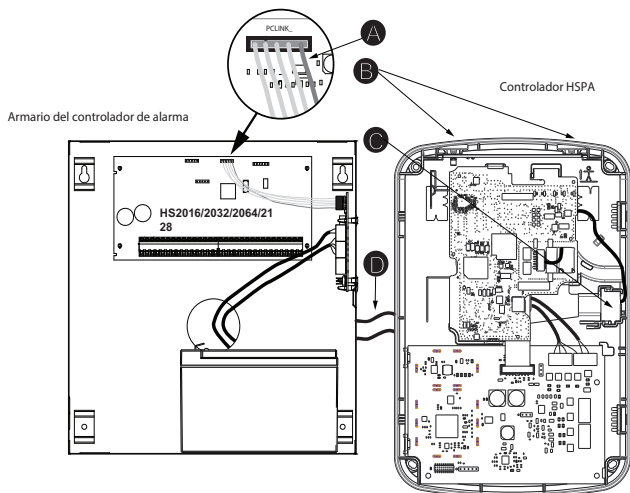
## Paso 1: Habilitar módulo

La sección [382] opción 5 en el panel debe estar **ACTIVADA** para que el módulo de Alarm.com se comunique con el panel. Esta sección está **DESACTIVADA** de fábrica y debe ser habilitada para que el sistema funcione correctamente. Esto deberá hacerse antes de conectar el cable PC Link para encender el módulo a fin de garantizar que todos los comandos de inicialización sean procesados adecuadamente.

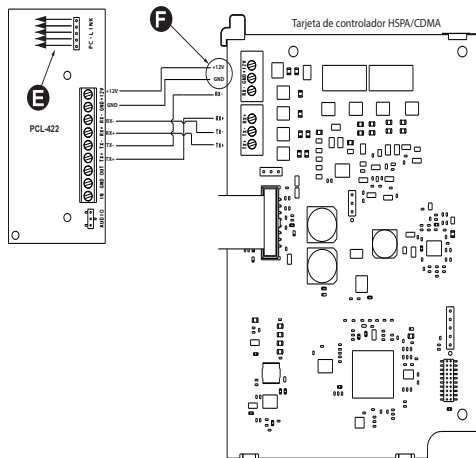
## Paso 2: Conectar el TL8803GI-EU

**Precaución:** Asegúrese de que el panel de alarma esté completamente apagado (es decir, CA y batería desconectados) antes de conectar el TL8803GI-EU.





Montado en el armario del controlador de alarma



A	Cable rojo en el cabezal del controlador de alarma PCLink_2
B	Puertos de acceso de antena
C	Conexión del cable de Ethernet
D	Cables cuádruples (100' / 30 m máximo)
E	Cable rojo en el cabezal PCL-422 PCLink
F	Terminales de alimentación de la Tarjeta de controlador HSPA. Se puede conectar al módulo de la fuente de alimentación (HSM2204/2300).

## 1: Conectar el bus de datos

La longitud de cable máxima permitida para el bus de datos es de 100 pies/ 30 m.

- Conecte la terminal **RX+** en el TL8803GI-EU a la terminal **TX+** en el PCL-422
- Conecte la terminal **RX-** en el TL8803GI-EU a la terminal **TX-** en el PCL-422
- Conecte la terminal **TX-** en el TL8803GI-EU a la terminal **RX-** en el PCL-422
- Conecte la terminal **TX+** en el TL8803GI-EU a la terminal **RX+** en el PCL-422

## 2: Conexión de la alimentación

La longitud de cable máxima permitida para la conexión de alimentación es de 100 pies/ 30 m.

- Conecte la terminal **GND** en el TL8803GI-EU a la terminal **GND** en el PCL-422
- Conecte la terminal **+12V** en el TL8803GI-EU a la terminal **+12V** en el PCL-422

## 3: Conexión del cable PC-Link

**Nota:** Para garantizar la orientación correcta, consulte los puntos A y D en los diagramas de cableado para observar la posición correcta del cable rojo en el cable PC-Link.

- Conecte uno de los cables PC-Link suministrados al cabezal PC-Link en el PCL-422
- Conecte el otro extremo del cable PC-Link al cabezal PC-LINK\_2 en el panel de alarma

## 4: Conexión a Ethernet (opcional)

**Nota:** Consulte el punto C en el diagrama de cableado para la colocación correcta del cable de Ethernet.

El cable de Ethernet Categoría 5 (CAT 5) debe ser conectado desde una fuente con conectividad a Internet hasta el módulo del comunicador, dentro del TL8803GI-EU. El extremo del cable del comunicador debe tener un conector RJ45.

- Conecte un extremo del cable Ethernet al puerto Ethernet del comunicador.
- Conecte el otro extremo del cable Ethernet al puerto Ethernet del router y verifique que el LED del estado de conexión esté encendido.

Todos los requisitos para la instalación del cable de Ethernet CAT5 deben cumplirse para el funcionamiento correcto del comunicador, incluyendo pero no limitado a los siguientes requisitos:

- NO remueva el revestimiento del cable más de lo necesario para una terminación adecuada.
- NO doble ni haga nudos en el cable.
- NO sujete el cable con presillas.
- NO desenrolle los pares CAT5 en más de 1,2 cm (1/2").
- NO haga empalmes en el cable.
- NO doble el cable en ángulos rectos ni haga cualquier otra dobladura.

**Notas:**

- La especificación CAT5 requiere que cualquier dobladura de cable debe tener, por lo menos, 5 cm (2") de radio de curvatura. El largo máximo del cable CAT5 es de 100 metros (328 pies).
- Antes de abandonar las instalaciones, las líneas de comunicación Ethernet deben conectarse primero con un NID aprobado (aceptable por las autoridades locales). Todo el cableado será realizado de acuerdo con las normas eléctricas locales.

## 5: Conexión de la antena externa (opcional)

Están disponibles antenas mejoradas para el TL8803GI-EU si existe recepción de celular inadecuada en la ubicación de montaje preferida. Póngase en contacto con el soporte técnico de Alarm.com para conocer las opciones de antena.

El TL8803GI-EU cuenta con dos puertos de acceso cubiertos en la parte superior del gabinete. Retire la lengüeta de plástico que cubra el puerto deseado y monte la antena en el gabinete o use la abertura para hacer pasar el cable de la antena.

**Nota:** Las cubiertas de plástico de los puertos NO son intercambiables debido a la curvatura del gabinete. Asegúrese de que todo puerto sin usar esté cubierto con su lengüeta de plástico original.

**Advertencia:** La antena externa debe ser instalada de tal manera que evite que los usuarios finales tengan acceso a la parte conductiva de la antena o del cable de la antena (es decir, montaje empotrado o equivalente).

## 5: Encendido

Conecte la batería del panel y la alimentación de CA. Una vez encendido, vea los elementos principales en la pantalla LCD. Asegúrese de que el módulo haya sido conectado completamente al panel de alarma vía el cable cuádruple como se muestra en el diagrama de cableado.

## Paso 3: Verificar el código del instalador para activar el módulo Alarm.com

Las alarmas y otras señales no se enviarán a Alarm.com hasta que se verifique el código del instalador. Para activar la cuenta, realice los siguientes pasos:

1. Conecte el módulo Alarm.com al panel. Asegúrese de que la opción 382 5 esté ENCENDIDA.
2. Presione [\*][8] para ingresar a la programación del instalador.
3. Ingrese el código del instalador.
4. Presione [#] para salir de la programación del instalador.

Para activar remotamente un sistema que se está señalizando, realice los siguientes pasos:

1. Vaya a [www.alarm.com/dealer](http://www.alarm.com/dealer).
2. Vaya a la cuenta de clientes.
3. Seleccione el mensaje de error en la parte superior de la página.
4. Ingrese el código del instalador.

## Paso 4: Realizar la prueba de doble ruta (Módulo de registro)

Para iniciar por primera vez la comunicación del módulo de Alarm.com y la red celular, realice una “Prueba de teléfono de doble ruta”. Tenga en cuenta que la prueba también puede usarse en cualquier momento por el instalador para forzar la comunicación con Alarm.com. Para probar la ruta celular, mantenga presionado [3] durante dos segundos. Para probar la ruta de banda ancha, mantenga presionado [4] durante dos segundos. También puede completar una prueba de doble ruta a través del menú de servicios interactivos. Para realizar la prueba de doble ruta, presione [\*][6] seguido por el código maestro y [04].

El panel indica cuando la prueba se ha completado activando la sirena de salida a medio volumen durante 2 segundos seguido de un máximo volumen durante 2 segundos. Sin embargo, la sirena no sonará si la prueba se inició a través de la tecla [3] o [4], o a través del menú de servicios interactivos. Todas las luces de la pantalla y los píxeles del LCD se encienden. Esto indica que Alarm.com ha recibido y confirmado la señal. Esto no garantiza que la señal pasó a través de una estación central; confirma que el Centro de operaciones de red de Alarm.com ha recibido la señal. La estación central se debe contactar directamente para verificar que la señal fue recibida en la cuenta correcta y que la configuración de enrutamiento de la estación central se ha establecido correctamente. Si la señal no pasa a la estación central, el panel muestra el mensaje “Failure to Communicate” (falla en la comunicación). Compruebe la configuración de redirección de la estación central de la cuenta de Alarm.com y póngase en contacto con el soporte técnico si el problema persiste.

## Paso 5: Permitir la programación automática del módulo

Después de realizar una prueba de doble ruta satisfactoria, espere 2 minutos para que el módulo se programe e inicie automáticamente antes de ingresar en los menús de programación del instalador. Si ingresa en la programación del instalador durante la inicialización del módulo, se cancelará el proceso. El teclado LCD muestra un mensaje que indica cuando se lleva a cabo la programación automática y cuando finaliza. Durante el período de sesiones de programación automática, el módulo programa automáticamente la configuración del

panel necesarios para la correcta funcionalidad con Alarm.com como se destaca en la sección “Configuración del panel”.

## Asociar sensor de imagen de Alarm.com

**Nota:** Esta función se puede activar o desactivar en el producto. Consulte con su instalador para comprobar si esta función está activada en su aplicación.

La capacidad incorporada del sensor de imagen de Alarm.com no ha sido evaluada por UL.

1. Asegúrese de que las baterías se hayan retirado del sensor.
2. En el panel, ingrese al menú Servicios interactivos. Los Servicios interactivos se pueden acceder a través de la sección [851] de la Programación del instalador.
3. Presione [\*][8] [Código del instalador] [851].
4. Desplácese a Configuración del sensor de imagen y presione [\*].
5. Desplácese a Aprender sensor de imagen y presione [\*]. El teclado mostrará “Encienda o reinicie S.I. ahora.”
6. Inserte las baterías en el sensor. Espere aproximadamente 20 segundos para que la pantalla del panel de control muestre: "S.I. [x] añadido como sensor [y]." El LED del sensor se encenderá de forma continua durante 5 segundos, una vez que el sensor se ha asociado.
7. Realice otra prueba de comunicaciones del panel para asegurar que Alarm.com reciba la lista de equipos de dispositivo actualizados. Esto acelerará el proceso de inicialización del sensor.
  - La zona será configurada como una zona virtual y programada automáticamente en la siguiente ranura disponible en la sección [560][001]-[032] empezando en la zona 126 y en conteo regresivo para cada sensor de imagen adicional agregado.
  - Una vez asociado, el sensor de imagen aparecerá como una zona normal.
  - De fábrica, el sensor de imagen se asocia como una zona Presente/ausente interior en el tipo de zona 005. El tipo de zona y los atributos se pueden asignar en el menú del instalador, de una manera similar a otras zonas regulares. Para más información, consulte la sección "Configuración de zona" del Manual de referencia del Controlador de alarma PowerSeries Neo.

## Configuración del panel

### Configuración de la estación central y la línea telefónica

La configuración de la estación central y la línea de teléfono se realizarán automáticamente a través de la página de Configuración de redirección de CS de la página web del Distribuidor Alarm.com. Los siguientes son los ajustes del panel que se configuran a través de la página del sitio del concesionario (de ser necesario) y no deben ser configurados en el panel:

Sección	Opción	Descripción
015	7	Monitoreo de línea telefónica
300 [001]	--	Camino de comunicación del panel - Receptor 1
300 [002]	--	Camino de comunicación del panel - Receptor 2
300 [003]	--	Camino de comunicación del panel - Receptor 3
300 [004]	--	Camino de comunicación del panel - Receptor 4
301 [001]	--	Número de teléfono de comunicación 1
301 [002]	--	Número de teléfono de comunicación 2
301 [003]	--	Número de teléfono de comunicación 3
301 [004]	--	Número de teléfono de comunicación 4
309 [001]	--	Dirección de llamada del sistema - Mantenimiento

<b>Sección</b>	<b>Opción</b>	<b>Descripción</b>
309 [002]	--	Dirección de llamada del sistema - Transmisión de prueba
310 [000]	--	Número de cuenta del sistema
310 [001]	--	Número de cuenta de la Partición 1
310 [002]	--	Número de cuenta de la Partición 2
310 [003]	--	Número de cuenta de la Partición 3
310 [004]	--	Número de cuenta de la Partición 4
310 [005]	--	Número de cuenta de la Partición 5
310 [006]	--	Número de cuenta de la Partición 6
310 [007]	--	Número de cuenta de la Partición 7
310 [008]	--	Número de cuenta de la Partición 8
311 [001]	--	Dirección de llamada de la Partición 1 - Alarma/restaurar
311 [002]	--	Dirección de llamada de la Partición 1 - Sabotaje/restaurar
311 [003]	--	Dirección de llamada de la Partición 1 - Apertura/cierre
312 [001]	--	Dirección de llamada de la Partición 2 - Alarma/restaurar
312 [002]	--	Dirección de llamada de la Partición 2 - Sabotaje/restaurar
312 [003]	--	Dirección de llamada de la Partición 2 - Apertura/cierre
313 [001]	--	Dirección de llamada de la Partición 3 - Alarma/restaurar
313 [002]	--	Dirección de llamada de la Partición 3 - Sabotaje/restaurar
313 [003]	--	Dirección de llamada de la Partición 3 - Apertura/cierre
314 [001]	--	Dirección de llamada de la Partición 4 - Alarma/restaurar
314 [002]	--	Dirección de llamada de la Partición 4 - Sabotaje/restaurar
314 [003]	--	Dirección de llamada de la Partición 4 - Apertura/cierre
315 [001]	--	Dirección de llamada de la Partición 5 - Alarma/restaurar
315 [002]	--	Dirección de llamada de la Partición 5 - Sabotaje/restaurar
315 [003]	--	Dirección de llamada de la Partición 5 - Apertura/cierre
316 [001]	--	Dirección de llamada de la Partición 6 - Alarma/restaurar
316 [002]	--	Dirección de llamada de la Partición 6 - Sabotaje/restaurar
316 [003]	--	Dirección de llamada de la Partición 6 - Apertura/cierre
317 [001]	--	Dirección de llamada de la Partición 7 - Alarma/restaurar
317 [002]	--	Dirección de llamada de la Partición 7 - Sabotaje/restaurar
317 [003]	--	Dirección de llamada de la Partición 7 - Apertura/cierre
318 [001]	--	Dirección de llamada de la Partición 8 - Alarma/restaurar
318 [002]	--	Dirección de llamada de la Partición 8 - Sabotaje/restaurar
318 [003]	--	Dirección de llamada de la Partición 8 - Apertura/cierre
350 [001]	--	Formato del comunicador del receptor 1
350 [002]	--	Formato del comunicador del receptor 2
384	2	Opciones de respaldo del comunicador

## Notificaciones

Los siguientes ajustes del panel puede alterar el comportamiento de las notificaciones de cliente:

Sección	Opción	Descripción
015	4	Si esta opción está ACTIVADA, las notificaciones de armado de la llave a distancia no estarán asociados a un usuario específico.

### Configuración del panel modificada automáticamente

Algunos ajustes del panel se cambian automáticamente cuando el módulo está conectado al panel de control. Estos ajustes no deben ser modificados. Ellos son:

Sección	Opción	Valor	Descripción
015	6	APAGADO	El código maestro no se puede cambiar y debe estar DESACTIVADO para asegurar que el módulo comunica el código maestro correcto.
017	6	APAGADO	El horario de verano debe desactivarse para garantizar que la hora del panel sea exacta.
019	6	Ajustar conforme a la configuración Alarm.com del distribuidor	Habilita los cambios de Código de coacción desde Alarm.com.
024	5	APAGADO	El reloj en tiempo real debe desactivarse para garantizar que la hora del panel sea exacta.
377	Exclusión de zona (Mantenimiento)	010	La Exclusión de zona para señales de mantenimiento debe ser puesta en 010 para garantizar que las notificaciones de problema puedan enviarse.
377	Retardo de comunicación de fallo CA	Valor aleatorio entre 001 y 030	El retardo de comunicación de avería de CA debe establecerse entre 001 y 030 para asegurar que las notificaciones de fallas de alimentación sean recibidas.
377	Retardo de transmisión por baja batería en dispositivo inalámbrico	001	El retardo de transmisión de baja batería de dispositivo inalámbrico debe ajustarse a 001 para asegurar que las notificaciones de baja batería sean recibidas.
380	1	ENCENDIDO	Las comunicaciones deben estar habilitadas para que el módulo pueda comunicarse con el panel.
380	2	APAGADO	El sistema de alarma debe transmitir la restauración inmediatamente que se restaura la zona.
380	5	APAGADO	Se debe establecer el método de comunicaciones redundantes como respaldo.
382	6	APAGADO	El Retardo de la transmisión de la avería de CA debe estar en minutos.
804 [No. de sensor]	003	Retardo de cinco minutos [07]	Desconexión por tráfico denso debe ser ajustado a cinco minutos para los dispositivos que se estén usando con la Supervisión de actividad de Alarm.com. <b>Nota:</b> Esta característica puede reducir la vida útil de la batería de los sensores PIR inalámbricos. A fin de evitar esto, se pueden utilizar sensores PIR alámbricos en su lugar.

## Reloj

El módulo TL8803GI-EU ajusta el reloj del panel cuando se conecta a Alarm.com y luego lo actualiza cada 18 horas. Es importante seleccionar la zona horaria correcta del panel en el sitio web Alarm.com, o la hora del panel no será exacta. Si un sistema se enciende antes de que se haya creada la cuenta, la zona horaria por defecto será la **Hora del Este**.

## SOLUCIÓN DE PROBLEMAS

### Información de estado del módulo

Se puede encontrar información del estado del módulo para verificar y solucionar problemas del estado de la conexión del módulo o de errores mediante los menús de los Servicios interactivos. Para acceder a estos, pulse [\*] [8] [Código del instalador] [851]. Consulte la tabla siguiente para los posibles estados de los módulos.

Estado	Descripción
Inactivo	Estado más común. El módulo no está enviando datos de forma activa y no hay errores presentes.
Roaming	Roaming en red asociada.
Falta SIM	Falta la tarjeta SIM.
Modo de ahorro de energía	Alimentación de CA apagada.
Registrando...	El módulo está intentando registrarse en la red HSPA.
Error de conexión	El módulo se ha registrado en la red HSPA, pero no se puede conectar con Alarm.com. Póngase en contacto con el soporte técnico de Alarm.com para obtener más información.
Error de radio	La parte del radio del módulo no está funcionando correctamente. Apague y encienda el panel y llame al soporte técnico de Alarm.com si el problema persiste.
Error de servidor	Identifica un error de servidor. Si persiste, la cuenta puede haber sido configurada incorrectamente.
Conectado	Actualmente conectado y transmitiendo información a los servidores de Alarm.com.
Conectando...	En el proceso de conexión a Alarm.com.
Actualizando...	Actualizando nivel de señal.

Además, algo de la información puede recuperarse por medio de largas pulsaciones de teclas en el teclado. Pulse y mantenga pulsadas las siguientes teclas del panel durante 2 segundos para mostrar la información dada figura en la pantalla del panel. La mayoría de los mensajes se muestra durante menos de 30 segundos, pero pueden ser recordados presionando la tecla 0 durante 2 segundos.

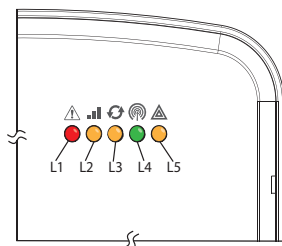
Teclas de estado	Descripción
1 tecla	Número de serie de 10 dígitos del módulo que es necesario para crear la cuenta del cliente de Alarm.com.
2 tecla	Versión de firmware del módulo (p. ej., 181a).
3 tecla	Iniciar prueba de comunicación sobre la ruta celular. <b>Importante:</b> Esta es una prueba requerida para completar correctamente la instalación.
4 tecla	Iniciar prueba de comunicación sobre la ruta de banda ancha.
5 tecla	Nivel de intensidad de la señal inalámbrica y el estado del módulo o error, si lo hay. El panel mostrará el nivel de señal en barras (0 a 5) y como un valor numérico (0 a 31) seguido por el modo de conexión.
6 tecla	Voltaje de la batería como se lee en el módulo, con dos decimales, y el estado de la alimentación de CA. (por ejemplo, Batería: 6,79 V, Alimentación de CA OK).
7 tecla	Úsese exclusivamente cuando lo indique el Soporte técnico de Alarm.com.
8 tecla	Frecuencia de HSPA utilizada por el módulo: "Alta" = 900MHz, 2100 MHz; "Baja" = 850 MHz. El panel especificará "3G" o "2G" en función de su cobertura, pero siempre tratará de ir a la cobertura 3G.



## LED de solución de problemas

Los LED de estado indican el estado de la red y del módulo. La figura a continuación muestra la ubicación de los LED de estado en el módulo TL8803GI.

### LED de estado



### Funciones de LED

LED	Función
1	LED para error general y celular. Parpadea 1 a 8 veces en un intervalo de tiempo de 8 segundos para indicar un error específico. Consulte la sección "LED L1 (rojo)" para ver los errores y soluciones comunes.
2	Errores de banda ancha y Panel de comunicación. Parpadea 2 a 8 veces en un intervalo de tiempo de 8 segundos para indicar un error específico en la ruta de banda ancha. También parpadea una vez cada vez que el módulo se comunica con el panel. Consulte la sección "LED L2 (amarillo)" para ver los errores y soluciones comunes.
3	Comunicación celular. Parpadea cada vez que se comprueba el nivel de la señal celular y cuando los paquetes se intercambian con Alarm.com
4	Nivel de intensidad de la señal celular. Parpadea 0 a 5 veces para indicar la intensidad de la señal o alterna entre encendido/apagado lentamente cuando se realiza la comunicación con los servidores de Alarm.com
5	LED para error y estado Z-Wave. Consulte la sección "LED L5 (amarillo)" para los patrones.

### Detalles de LED

#### LED L1 (rojo)

L1 parpadea cuando hay un error general o un error en la ruta celular. La cantidad de parpadeos indica el número de error. Si hay dos o más errores al mismo tiempo, los errores parpadearán uno después del otro. El LED permanecerá apagado durante al menos cuatro segundos entre errores.

Número de destellos	Error y solución
1	El módulo no se puede comunicar con el panel. Asegúrese de que la sección [382] opción [5] este ACTIVA. Verifique que el software de panel sea la versión 1.1 o superior. Compruebe los conectores (entre el panel y el comunicador) y ejecute un ciclo de encendido del panel. Si el error persiste, puede que haya un problema con el módulo o el panel.
2	Falta la tarjeta SIM. El compartimiento para la tarjeta SIM se encuentra en el módulo. Verifique que el compartimiento de la tarjeta SIM esté bien cerrado y que haya una tarjeta SIM en el compartimiento.

Número de destellos	Error y solución
3	El módulo está intentando registrarse en la red HSPA. Si persiste por más de algunos minutos, el módulo está teniendo problemas para registrarse con la red HSPA. Compruebe L4 para ver el nivel de señal. Si el nivel de señal está por debajo de 2 "barras", cambie la ubicación del panel o use la opción de antena remota. Si la señal es buena, el módulo puede estar en modo de roaming en una red HSPA que no está asociada con proveedores de HSPA, o la tarjeta SIM no había sido activada todavía debido a que no se creó correctamente la cuenta en Alarm.com.
4	El módulo se ha registrado en la red HSPA, pero no se puede conectar con Alarm.com. Apague el módulo, espere un minuto, vuelva a encender y realice una prueba de comunicación. Verifique la intensidad de señal e intente una ubicación diferente para el módulo/ la antena. Si el problema persiste, contacte al Soporte técnico de Alarm.com.
5	La parte del radio del módulo no está funcionando correctamente. Si esto persiste por más de unos pocos minutos, puede que el módulo requiera ser sustituido. Este error es extremadamente raro así que verifique que el módulo esté parpadeando 5 veces.
6	Este es un error solo si él persiste por más de un minuto. En caso contrario, sólo es una indicación de que el módulo está arreglando una condición inusual respecto a la comunicación con la red HSPA.
7	El módulo no es compatible con este tipo de panel. Inserte un módulo compatible.
8	Si persiste, la cuenta puede haber sido configurada incorrectamente. Contacte a soporte técnico de Alarm.com. Se le pedirá que compruebe el número de serie del módulo.

## LED L2 (amarillo)

LED L2 indica un error en la ruta de banda ancha y también parpadea cada vez que se realiza una comunicación entre el panel y el módulo cuando no existe ninguna condición de error. El patrón normal exige una serie de parpadeos rápidos cada dos segundos en modo Inactivo o cuatro segundos en modo Ahorro de energía.

Número de destellos	Error y solución
1	Parpadea para cada comunicación con el panel, excepto cuando el LED muestra un error de banda ancha. Esto es un comportamiento normal.
2	El módulo no puede establecer una conexión con el router. Verifique el conexión y el cableado físico del router. Verifique que el filtrado MAC esté deshabilitado en el router o agregue el MAC del módulo a la lista permitida de Mac en el router. Verifique que el DHCP está activado en el router.
3	El módulo no puede establecer una conexión con el router. Verifique si se pueden conectar en la misma red los demás dispositivos, si el panel tiene corriente alterna, y si existe algún firewall especial o configuración de administración de red ejecutándose en el router.
4	El módulo no puede establecer una conexión con Alarm.com. Contacte a soporte técnico de Alarm.com.
6	El backend de Alarm.com no puede obtener el módulo debido a un error con el firewall local que bloquea las señales y no permite obtener el módulo.

## LED L3 (amarillo)

L3 parpadea con cada comunicación entre el módulo y su unidad de radio en el modo Inactivo, y con cada comunicación con Alarm.com en el modo Conectado. En modo de Ahorro de energía, este LED parpadea al unísono con el LED 2.

## LED L4 (verde)

L4 indica el nivel de señal de HSPA como un número de parpadeos (0 a 5 barras). El número de barras puede no corresponder con las barras mostradas en su teléfono celular. Un nivel de 5 barras se obtiene únicamente en

condiciones de la señal más intensa.

El nivel de señal se actualiza cada diez segundos si éste fluctúa, o cada 30 segundos si es bastante estable. Si L4 no está parpadeando, esto indica uno de los siguientes estados:

- El módulo está en modo de Ahorro de energía
- El módulo acaba de encender
- No existe cobertura HSPA en el área. Alarm.com recomienda un nivel de señal constante de 2 o superior para la operación correcta del módulo

**Nota:** En modo Conectado, el LED alterna entre encendido y apagado.

LED L5 (amarillo)

LED L5 indica errores y estado Z-Wave. Véase la tabla a continuación para más información.

Número de destellos	Estado o error de dispositivo
1	Nodo agregado/eliminado satisfactoriamente (dura 60 segundos)
2	Eliminar modo
3	Falló intento de agregar nodo (dura 60 segundos) porque el dispositivo ya esta conectado en la red
4	Agregar modo
5	Copiar modo
6	Error del modo Memorizar (dura 60 segundos)
7	No hay información de nodo
8	No hay otros nodos conectados en la red

## Estados diversos de módulo (Modos)

Hay cuatro estados de módulo, o modos, según se describe a continuación:

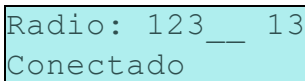
Modo	Descripción
Inactivo	Alimentación de CA es correcta y el módulo no se está comunicando actualmente con Alarm.com. L1 - Parpadea si existen errores generales o de celular L2 – Parpadea si existen errores de banda ancha; Comunicación con panel L3 - Comunicación con unidad de radio L4 - Nivel de señal (0 a 5 barras) L5 - Parpadea si existen errores o estado Z-Wave
Ahorro de energía	El módulo acaba de encenderse, alimentación AC está desconectada, o alimentación CA se restauró recientemente y la batería se está recargando. El módulo es completamente funcional y pasará al modo Conectado tan pronto como se requiera enviar una señal. Pulse y mantenga presionada la tecla 5 durante 2 segundos para cambiar el módulo al modo Inactivo y actualizar la lectura de nivel de señal. El sistema pasará al modo Inactivo cada 2 horas para comprobar si hay mensajes entrantes. L1 - Inactivo L2 - Comunicación con panel L3 - Mismo patrón de parpadeo que L2 L4 - Inactivo L5 - Inactivo

Modo	Descripción
Conectado	El módulo se está comunicando actualmente con Alarm.com. El módulo permanece en el modo Conectado durante al menos cuatro minutos después de informar sobre un evento a Alarm.com, a menos de que la tecla 5 esté pulsada y se mantenga pulsada durante 10 segundos, lo que provocará que el módulo regrese al modo Inactivo. L1 - Parpadea si existen errores generales o de celular L2 - Parpadea si existen errores de banda ancha; Comunicación con panel L3 - Comunicación con Alarm.com L4 - Alterna dos segundos encendido, luego dos segundos apagado L5 - Parpadea si existen errores o estado Z-Wave
Suspensión	El panel no está conectado a la alimentación de CA, o existe una falla de alimentación de CA, y el nivel de batería es bajo. El módulo se conectará a Alarm.com para enviar una señal, pero casi no consumirá energía.

**Nota:** Si el módulo TL8803GI está apagado durante un periodo corto de tiempo, los mensajes en memoria de Alarm.com pueden ser recibidos cuando se restaure la energía del módulo.

## Mejora de la potencia de la señal inalámbrica

A medida que realiza cambios en la ubicación del módulo para mejorar la potencia de la señal, solicite lecturas de señal actualizadas para verificar los cambios. Para solicitar una lectura actualizada, mantenga pulsada la tecla "5" durante 2 segundos. En la imagen a continuación, la radio cuenta con 3 de 5 barras o 13/31 y está conectada a la red.



Radio: 123 \_\_ 13  
Conectado

Pautas para una óptima potencia de la señal inalámbrica:

- Instale el módulo por encima del nivel del suelo, tan alto como sea posible dentro de la estructura.
- Instalar el módulo cerca o al lado de una pared exterior de la estructura.
- No instale el módulo dentro de una estructura de metal o cerca de grandes objetos metálicos o conductos.
- Actualice la antena. Póngase en contacto con el soporte técnico de Alarm.com para conocer las opciones de antena.

## Guía para el cliente para la configuración de usuario nuevo en la web

Esta sección describe cómo ayudarle a su cliente a configurar su cuenta en el sitio web, y aplica exclusivamente a clientes con un plan de servicio interactivo con una cuenta en línea. (Omita este paso para clientes que usen sólo el módulo para señalización inalámbrica).

Antes de que el cliente pueda configurar su cuenta en el sitio web se debe haber creado la cuenta en Alarm.com para ese cliente en el Sitio del distribuidor, y el módulo HSPA asociado con la cuenta debe ser instalado con éxito.

Para iniciar sesión y acceder a su cuenta, el cliente puede ir a [www.alarm.com](http://www.alarm.com) (o a la dirección del sitio web del distribuidor del cliente) para completar el procedimiento de configuración de nuevo suscriptor.

El cliente requerirá lo siguiente:

- La clave de inicio de sesión al sitio web y la contraseña temporal incluidas en la Carta de bienvenida a Alarm.com, la cual se genera cuando el distribuidor crea la cuenta
- Una lista de sus sensores de sistema con las ID de zona correspondientes

- Al menos un número de teléfono y una dirección de correo electrónico adonde se puedan enviar notificaciones

**Nota:** Por lo menos un sensor debe ser memorizado en el panel para completar la configuración de nuevo suscriptor. Si no todos los sensores y pantallas táctiles son memorizados antes de encender el módulo, se deberá solicitar una lista actualizada de sensores mediante la ejecución de una prueba telefónica HSPA o al solicitar una lista actualizada de equipo desde el Sitio del distribuidor.

## MENÚ DE SERVICIO INTERACTIVO

### Menús interactivos

El menú "Servicios interactivos" puede ser usado para acceder a información sobre el módulo TL8803GI, instalar o retirar dispositivos Z-Wave y configurar o solucionar problemas de otras características interactivas.

El menú se cerrará después de 20 minutos. Consulte las tablas siguientes para ver las opciones del menú.

### Programación del instalador

Pulse [\*] [8] [Código del Instalador] [851] para acceder al menú de Servicios interactivos.

Menú	Descripción
--Estado del módulo Alarm.com	Desplácese hacia abajo a través de las diferentes pantallas de información del módulo Alarm.com.
---Radio	Nivel de señal, estado de conexión, estado de roaming y errores (si los hay)
---Frecuencia de HSPA	Frecuencia de HSPA utilizada por el módulo
---N/S	Número de serie del módulo. Necesario para crear o solucionar una cuenta de Alarm.com
---Tarjeta SIM	Número de tarjeta SIM. A veces es necesaria para solucionar una cuenta. No aplicable a radios CDMA
---Versión	Versión de firmware y sub-versión de módulo TL8803GI. Ejemplo: 181a; 181 = versión de firmware del módulo, a = subversión
--- Avanzado - Red	Úsese exclusivamente cuando lo indique el Soporte técnico de Alarm.com.
- Configuración de Z-Wave <sup>1</sup>	Este menú se utiliza para añadir, eliminar y solucionar problemas de redes y dispositivos Z-Wave. Para controlar dispositivos Z-Wave a través de la página web de Alarm.com y aplicaciones de teléfonos inteligentes, también tendrá que habilitar los servicios de Z-Wave en la cuenta
--Número de dispositivos Z-Wave <sup>2</sup>	El número total de dispositivos Z-Wave actualmente conocidos del módulo
--Agregar dispositivo Z-Wave <sup>1</sup>	Pulse [*] para ingresar al modo Agregar Z-Wave. Asegúrese de que el dispositivo que se añade esté encendido y dentro de 3 a 6 pies del panel. Consulte las instrucciones del fabricante en cuanto a las pulsaciones de botones necesarios para asociar los dispositivos
---Quitar dispositivo Z-Wave <sup>1</sup>	Pulse [*] para eliminar un dispositivo Z-Wave existente, o para "reiniciar" un dispositivo Z-Wave que fue aprendido previamente en una red Z-Wave diferente. Los dispositivos asociados previamente se deben reiniciar antes de que puedan asociarse al módulo
---ID inicial de Z-Wave <sup>1</sup>	Pulse [*] para consultar el ID inicial de la red Z-Wave. Si el ID es 0, compruebe que el módulo se ha comunicado con Alarm.com y que la cuenta de Alarm.com esté configurada para Z-Wave.
---Opción de rango extendido	Pulse [*] para habilitar/deshabilitar el rango extendido
---Prueba de comunicaciones	Pulse [*] para llevar a cabo la prueba de comunicación ADC

### Funciones de usuario

Pulse [\*] [6] [Código maestro] para entrar en el menú Funciones de usuario. A continuación desplácese a Servicios interactivos.

<b>Menú</b>	<b>Descripción</b>
--Estado del módulo Alarm.com	Vea la sección de Programación del Instalador
---Radio	Vea la sección de Programación del Instalador
---Frecuencia de HSPA	Vea la sección de Programación del Instalador
--N/S	Vea la sección de Programación del Instalador
---Tarjeta SIM	Vea la sección de Programación del Instalador
---Versión	Vea la sección de Programación del Instalador
--- Avanzado - Red	Vea la sección de Programación del Instalador
- Configuración de Z-Wave <sup>1</sup>	Vea la sección de Programación del Instalador
--- Número de dispositivos Z-Wave <sup>1</sup>	Vea la sección de Programación del Instalador
---Agregar dispositivo Z-Wave <sup>1</sup>	Vea la sección de Programación del Instalador
---Quitar dispositivo Z-Wave <sup>1</sup>	Vea la sección de Programación del Instalador
---ID inicial de Z-Wave <sup>1</sup>	Vea la sección de Programación del Instalador
--Prueba de comunicación	Vea la sección de Programación del Instalador

<sup>1</sup> Consulte las instrucciones y guías sobre instalación de automatización del hogar en la página web del distribuidor de Alarm.com para obtener más información sobre la asociación y solución de problemas de Z-Wave.

## Garantía Limitada

Digital Security Controls garantiza al comprador original que por un periodo de doce meses desde la fecha de compra, el producto está libre de defectos en materiales y hechura en uso normal. Durante el periodo de la garantía, Digital Security Controls Ltd., decide sí o no, reparará o reemplazará cualquier producto defectuoso devolviendo el producto a su fábrica, sin costo por labor y materiales. Cualquier repuesto o pieza reparada está garantizada por: el resto de la garantía original o noventa (90) días, cualquiera de las dos opciones de mayor tiempo. El propietario original debe notificar puntualmente a Digital Security Controls por escrito que hay un defecto en material o hechura, tal aviso escrito debe ser recibido en todo evento antes de la expiración del periodo de la garantía. No hay absolutamente ningún tipo de garantía sobre software y todos los productos de software son vendidos como una licencia de usuario bajo los términos del contrato de licencia del software incluido con el producto. El comprador asume toda responsabilidad por la apropiada selección, instalación, operación y mantenimiento de cualquier producto comprado a DSC. La garantía de los productos hechos a medida alcanza solamente a aquellos productos que no funcionen al momento de la entrega. En tales casos, DSC puede reemplazarlos o acreditarlos, a opción de DSC.

## Garantía Internacional

La garantía para los clientes internacionales es la misma que para cualquier cliente de Canadá y los Estados Unidos, con la excepción que Digital Security Controls no será responsable por cualquier costo aduanero, impuestos o VAT que puedan ser aplicados.

## Procedimiento de la Garantía

Para obtener el servicio con esta garantía, por favor devuelva el(los) artículo(s) en cuestión, al punto de compra. Todos los distribuidores autorizados tienen un programa de garantía. Cualquiera que esté regresando los productos a Digital Security Controls Ltd., debe primero obtener un número de autorización. Digital Security Controls no aceptará ningún cargamento sin un número de autorización primero.

## Condiciones para Cancelar la Garantía

Esta garantía se aplica solamente a defectos en partes y en hechura concerniente al uso normal. Esta no cubre:

- daños incurridos en el manejo de envío o cargamento;
- daños causados por desastres tales como incendio, inundación, vientos, terremotos o rayos eléctricos;
- daños debido a causas más allá del control de Digital Security Controls Ltd., tales como excesivo voltaje, choque mecánico o daño por agua;
- daños causados por acoplamientos no autorizados, alteraciones, modificaciones u objetos extraños;
- daños causados por periféricos (al menos que los periféricos fueron suministrados por Digital Security Controls Ltd.);
- defectos causados por falla en el suministro un ambiente apropiado para la instalación de los productos;
- daños causados por el uso de productos, para propósitos diferentes, para los cuales fueron designados;
- daño por mantenimiento no apropiado;
- daño ocasionado por otros abusos, mal manejo o una aplicación no apropiada de los productos.

## Ítems no cubiertos por la Garantía

Además de los ítems que cancelan la Garantía, los siguientes ítems no serán cubiertos por la Garantía: (i) costo de flete hasta el centro de reparación; (ii) los productos que no sean identificados con la etiqueta de producto de DSC y su número de lote o número de serie; (iii) los productos que hayan sido desensamblados o reparados de manera tal

que afecten adversamente el funcionamiento o no permitan la adecuada inspección o pruebas para verificar cualquier reclamo de garantía. Las tarjetas o etiquetas de acceso devueltas para su reemplazo bajo la garantía, serán acreditadas o reemplazadas a opción de DSC. Los productos no cubiertos por la presente garantía, o de otra manera fuera de la garantía debido al transcurso del tiempo, mal uso o daño, serán evaluados y se proveerá una estimación para la reparación. No se realizará ningún trabajo de reparación hasta que una orden de compra válida enviada por el Cliente sea recibida y un número de Autorización de Mercadería Devuelta (RMA) sea emitido por el Servicio al Cliente de DSC.

La responsabilidad de Digital Security Controls Ltd., en la falla para reparar el producto bajo esta garantía después de un número razonable de intentos será limitada a un reemplazo del producto, como el remedio exclusivo para el rompimiento de la garantía. Bajo ninguna circunstancia Digital Security Controls Ltd., debe ser responsable por cualquier daño especial, incidental o consiguiente basado en el rompimiento de la garantía, rompimiento de contrato, negligencia, responsabilidad estricta o cualquier otra teoría legal. Tales daños deben incluir, pero no ser limitados a, pérdida de ganancias, pérdida de productos o cualquier equipo asociado, costo de capital, costo de sustitutos o reemplazo de equipo, facilidades o servicios, tiempo de inactividad, tiempo del comprador, los reclamos de terceras partes, incluyendo clientes, y perjuicio a la propiedad. Las leyes de algunas jurisdicciones limitan o no permiten la renuncia de daños consecuentes. Si las leyes de dicha jurisdicción son aplicables sobre cualquier reclamo por o en contra de DSC, las limitaciones y renunciaciones aquí contenidas serán las de mayor alcance permitido por la ley. Algunos estados no permiten la exclusión o limitación de daños incidentales o consecuentes, en tal caso lo arriba mencionado puede no ser aplicable a Ud.

## Renuncia de Garantías

**Esta garantía contiene la garantía total y deberá sustituir a cualquiera y toda garantía, explícita o implícita, (incluyendo todas las garantías implícitas de comerciabilidad o adaptabilidad para un propósito en particular) y de otras obligaciones o responsabilidades por parte de Digital Security Controls. Digital Security Controls tampoco asume la responsabilidad ni autoriza a cualquier otra persona que pretenda actuar en su representación para modificar o cambiar esta garantía, ni que asuma en su nombre alguna otra garantía o responsabilidad concerniente a este producto.**

**Esta renuncia de garantía y garantía limitada son regidas por el gobierno y las leyes de la provincia de Ontario, Canadá.**

Digital Security Controls Ltd., recomienda que todo el sistema sea completamente probado en forma regular. Sin embargo, a pesar de las pruebas frecuentes, y debido a, pero no limitado a, sabotaje criminal o interrupción eléctrica, es posible que este producto falle en trabajar como es esperado.

## Cierre del Instalador

Cualquier producto regresado a DSC con la opción de Cierre del Instalador habilitada y ninguna otra falla aparente estará sujeto a cargos por servicio.

## Reparaciones Fuera de la Garantía

Digital Security Controls en su opción reemplazará o reparará los productos por fuera de la garantía que sean devueltos a su fábrica de



acuerdo a las siguientes condiciones. Cualquiera que esté regresando los productos a Digital Security Controls Ltd., debe primero obtener un número de autorización. Digital Security Controls no aceptará ningún cargamento sin un número de autorización primero.

Los productos que Digital Security Controls Ltd., determine que son reparables serán reparados y regresados. Un cargo fijo que Digital Security Controls Ltd., ha predeterminado y el cual será revisado de tiempo en tiempo, se exige por cada unidad reparada.

Los productos que Digital Security Controls, determine que no son reparables serán reemplazados por el producto más equivalente disponible en ese momento. El precio actual en el mercado del producto de reemplazo se cobrará por cada unidad que se reemplace.

## Acuerdo de licencia de usuario final

**IMPORTANTE – LEA ATENTAMENTE:** el Software DSC comprado con o sin Productos y Componentes tiene marca registrada y es adquirido bajo los siguientes términos de licencia:

Este Acuerdo de Licencia de Usuario Final (End-User License Agreement – “EULA”) es un acuerdo legal entre Usted (la compañía, individuo o entidad que ha adquirido el Software y cualquier Hardware relacionado) y Digital Security Controls, una división de Tyco Safety Products Canada Ltd. (“DSC”), el fabricante de los sistemas de seguridad integrados y programador del software y de todos los productos o componentes relacionados (“HARDWARE”) que usted ha adquirido.

Si el producto de software DSC (“PRODUCTO DE SOFTWARE” o “SOFTWARE”) necesita estar acompañado de HARDWARE y NO está acompañado de nuevo HARDWARE, usted no puede usar, copiar o instalar el PRODUCTO DE SOFTWARE. El PRODUCTO DE SOFTWARE incluye software y puede incluir medios asociados, materiales impresos y documentación “en línea” o electrónica.

Cualquier software provisto con el PRODUCTO DE SOFTWARE que esté asociado a un acuerdo de licencia de usuario final separado es licenciado a Usted bajo los términos de ese acuerdo de licencia.

Al instalar, copiar, realizar la descarga, almacenar, acceder o, de otro modo, usar el PRODUCTO DE SOFTWARE, Usted se somete incondicionalmente a los límites de los términos de este EULA, incluso si este EULA es una modificación de cualquier acuerdo o contrato previo. Si no está de acuerdo con los términos de este EULA, DSC no podrá licenciarle el PRODUCTO DE SOFTWARE y Usted no tendrá el derecho de usarlo.

## LICENCIA DE PRODUCTO DE SOFTWARE

El PRODUCTO DE SOFTWARE está protegido por leyes de derecho de autor y acuerdos de derecho de autor, así como otros tratados y leyes de propiedad intelectual. El PRODUCTO DE SOFTWARE es licenciado, no vendido.

**CONCESIÓN DE LICENCIA** Este EULA le concede los siguientes derechos:

**Instalación y uso del software** – Para cada licencia que Usted adquiere, Usted puede instalar tan sólo una copia del PRODUCTO DE SOFTWARE.

**Almacenamiento/Usó en red** – El PRODUCTO DE SOFTWARE no puede ser instalado, accedido, mostrado, ejecutado, compartido o usado al mismo tiempo desde diferentes ordenadores, incluyendo una estación de trabajo, terminal u otro dispositivo electrónico (“Dispositivo”). En otras palabras, si Usted tiene varias estaciones de trabajo, Usted tendrá que adquirir una licencia para cada estación de trabajo donde usará el SOFTWARE.

**Copia de seguridad** – Usted puede tener copias de seguridad del PRODUCTO DE SOFTWARE, pero sólo puede tener una copia por licencia instalada en un momento determinado. Usted puede usar la copia de seguridad solamente para propósitos de archivo. Excepto del modo en que está expresamente previsto en este EULA, Usted no puede hacer copias del PRODUCTO DE SOFTWARE de otro modo, incluyendo los materiales impresos que acompañan al SOFTWARE.

## DESCRIPCIÓN DE OTROS DERECHOS Y LIMITACIONES

**Limitaciones en Ingeniería Reversa, Descompilación y Desmontado** – Usted no puede realizar ingeniería reversa, descompilar o desmontar el PRODUCTO DE SOFTWARE, excepto y solamente en la medida en que dicha actividad esté expresamente permitida por la ley aplicable, no obstante esta limitación. Usted no puede realizar cambios ni modificaciones al Software, sin el permiso escrito de un oficial de DSC. Usted no puede eliminar avisos de propiedad, marcas o etiquetas del Producto de Software. Usted debería instituir medidas razonables que aseguren el cumplimiento de los términos y condiciones de este EULA.

**Separación de los Componentes** – El PRODUCTO DE SOFTWARE se licencia como un producto único. Sus partes componentes no pueden ser separadas para el uso en más de una unidad de HARDWARE.

**PRODUCTO ÚNICO INTEGRADO** – Si usted adquirió este SOFTWARE con HARDWARE, entonces el PRODUCTO DE SOFTWARE está licenciado con el HARDWARE como un producto único integrado. En este caso, el PRODUCTO DE SOFTWARE puede ser usado solamente con el HARDWARE, tal y como se establece más adelante en este EULA.

**Alquiler** – Usted no puede alquilar, prestar o arrendar el PRODUCTO DE SOFTWARE. No puede disponibilizarlo a terceros ni colgarlo en un servidor o una página web.

**Transferencia de Producto de Software** – Usted puede transferir todos sus derechos bajo este EULA sólo como parte de una venta permanente o transferencia del HARDWARE, desde que Usted no retenga copias y transfiera todo el PRODUCTO DE SOFTWARE (incluyendo todas las partes componentes, los materiales impresos y mediáticos y cualquier actualización y este EULA) y desde que el receptor esté conforme con los términos de este EULA. Si el PRODUCTO DE SOFTWARE es una actualización, cualquier transferencia debe incluir también todas las versiones previas del PRODUCTO DE SOFTWARE.

**Término** – Sin perjuicio de cualesquiera otros derechos, DSC puede terminar este EULA si Usted negligencia el cumplimiento de los términos y condiciones de este EULA. En tal caso, usted debe destruir todas las copias del PRODUCTO DE SOFTWARE y todas sus partes componentes.

**Marcas registradas** – Este EULA no le concede ningún derecho conectado con ninguna de las marcas registradas de DSC o de sus proveedores.

**DERECHOS DE AUTOR** – Todos los derechos de título y propiedad intelectual en este y relativos a este PRODUCTO DE SOFTWARE (incluyendo, pero no limitándose a todas las imágenes, fotografías y textos incorporados al PRODUCTO DE SOFTWARE), los materiales impresos que acompañan, y todas las copias del PRODUCTO DE SOFTWARE, son propiedad de DSC o de sus proveedores. Usted no puede copiar los materiales impresos que acompañan al PRODUCTO DE SOFTWARE. Todos los títulos y derechos de propiedad

intelectual en y relativos al contenido que pueden ser accedidos a través del uso del PRODUCTO DE SOFTWARE son de propiedad de su respectivo propietario de contenido y pueden estar protegidos por derechos de autor u otros tratados y leyes de propiedad intelectual. Este EULA no le concede ningún derecho de usar tal contenido. Todos los derechos no expresamente concedidos por este EULA están reservados a DSC y sus proveedores.

**RESTRICCIONES DE EXPORTACIÓN** – Usted se compromete a no exportar o reexportar el PRODUCTO DE SOFTWARE a ningún país, persona o entidad sujeta a las restricciones de exportación de Canadá.

**ELECCIÓN DE LEY** – Este Acuerdo de Acuerdo de Licencia de Software se rige por las leyes de la Provincia de Ontario, Canadá.

**ARBITRAJE** – Todas las disputas que surjan con relación a este Acuerdo estarán determinadas por medio del arbitraje final y vinculante, de acuerdo con el Arbitration Act, y las partes acuerdan someterse a la decisión del árbitro. El lugar de arbitraje será Toronto, Canadá, y el idioma de arbitraje será el inglés.

## **GARANTÍA LIMITADA**

**SIN GARANTÍA** – DSC provee el SOFTWARE “tal como es”, sin garantía. DSC NO GARANTIZA QUE EL SOFTWARE SATISFARÁ SUS NECESIDADES O QUE TAL OPERACIÓN DEL SOFTWARE SERÁ ININTERRUMPA O LIBRE DE ERRORES.

**CAMBIOS EN EL ENTORNO OPERATIVO** – DSC no se responsabilizará de problemas causados por cambios en las características operativas del HARDWARE, o de problemas en la interacción del PRODUCTO DE SOFTWARE con SOFTWARE que no sea de DSC o con PRODUCTOS DE HARDWARE.

**LIMITACIÓN DE RESPONSABILIDAD, CUOTA DE RIESGO DE LA GARANTÍA** – EN CUALQUIER CASO, SI ALGUNA LEY IMPLICA GARANTÍAS O CONDICIONES NO ESTABLECIDAS EN ESTE ACUERDO DE LICENCIA, TODA LA RESPONSABILIDAD DE DSC BAJO CUALQUIER DISPOSICIÓN DE ESTE ACUERDO DE LICENCIA SE LIMITARÁ A LA MAYOR CANTIDAD YA PAGADA POR USTED PARA LICENCIAR EL PRODUCTO DE SOFTWARE Y CINCO DÓLARES CANADIENSES (CAD\$5,00). DEBIDO A QUE ALGUNAS JURISDICIONES NO ACEPTAN LA EXCLUSIÓN O LIMITACIÓN DE LA RESPONSABILIDAD PARA DAÑOS CONSECUENTES O INCIDENTALES, LAS LIMITACIONES CITADAS PUEDEN NO APLICARSE A USTED.

**EXENCIÓN DE LAS GARANTÍAS** – esta garantía contiene la garantía completa y es válida, en lugar de cualquier otra garantía, ya expresa o implícita (incluyendo todas las garantías implícitas de mercantilidad o aptitud para un propósito determinado) y de todas las obligaciones o responsabilidades por parte de DSC. DSC NO CONCEDE OTRAS GARANTÍAS. DSC TAMPOCO ASUME NI AUTORIZA A NINGUNA OTRA PERSONA QUE PRETENDA ACTUAR EN SU NOMBRE PARA MODIFICAR O CAMBIAR ESTA GARANTÍA NI PARA ASUMIR PARA ELLA NINGUNA OTRA GARANTÍA O RESPONSABILIDAD RELATIVA A ESTE PRODUCTO DE SOFTWARE.

**REPARACIÓN EXCLUSIVA Y LIMITACIÓN DE GARANTÍA** – BAJO NINGUNA CIRCUNSTANCIA DSC SERÁ RESPONSABLE DE CUALQUIER DAÑO ESPECIAL, IMPREVISTO O CONSECUENTE O DAÑOS INDIRECTOS BASADOS EN INFRACCIÓN DE LA GARANTÍA,

INFRACCIÓN DEL CONTRATO, NEGLIGENCIA, RESPONSABILIDAD ESTRUCTIVA O CUALQUIER OTRA TEORÍA LEGAL. TALE DAÑOS INCLUYEN, PERO NO SE LIMITAN, A PÉRDIDAS DE BENEFICIOS, PÉRDIDA DEL PRODUCTO DE SOFTWARE O CUALQUIER EQUIPO ASOCIADO, COSTE DE CAPITAL, COSTE DE SUSTITUCIÓN O REEMPLAZO DE EQUIPO, INSTALACIONES O SERVICIOS, DOWN TIME, TIEMPO DEL COMPRADOR, REIVINDICACIONES DE TERCEROS, INCLUYENDO CLIENTES, Y DAÑOS A LA PROPIEDAD.

DSC recomienda que se pruebe todo el sistema completamente de modo regular. Sin embargo, a pesar de las pruebas frecuentes, y debido a ellas, pero no limitado a las mismas, intento criminal de forzarlo o interrupción eléctrica, es posible que este Producto de Software falle con relación al desempeño esperado.

## **Información reglamentaria**

### **Notas para instalaciones conforme a la norma EN50131-1:2006/A1:2009:**

El modelo TL8803GI-EU es un SPT Tipo X – el módulo autónomo dentro de su propia carcasa y es alimentado desde un CIE o fuente de alimentación compatible externa que cumplen con los requisitos de la norma EN50131-6:2008. Este producto no cuenta con refacciones ni con opciones programables de software accesibles (ya todo ha sido pre-programado). Este producto no requiere ningún mantenimiento específico para continuar funcionando correctamente.

El TL8803GI-EU se conecta con paneles de control de alarma DSC compatibles mediante el uso de la interfaz serial registrada DSC y el protocolo PC-Link (convertida también a RS-422). El módulo opera en modo de tránsito y confirma la alarma hacia el panel de control compatible después de que se haya recibido una confirmación desde el receptor de alarma compatible.

1. El módulo TL8803GI-EU es supervisado mediante el panel de control y se programa a través del menú de programación (\* 8, sección [85] en el panel de control. La interfaz se conecta al bus PC-Link según se muestra en el diagrama incluido en este manual. No existe un monitorio para la sustitución.
2. La ruta IP y celular son inmunes a los campos de RF conducidos y radiados con niveles de hasta 10V/m según la norma EN50130-4.
3. El módulo TL8803GI-EU cumple con los niveles de emisiones radiadas para equipo Clase B conforme a las normas EN61000-6-3/EN55022/CISPR22.
4. El módulo TL8803GI-EU usa encriptación AES128 y supervisión de pulsos para rutas de comunicación celular HSPA 3G y cumple con los niveles de seguridad S2 conforme a la norma EN50136-2:2013. También usa la autenticación para cada mensaje intercambiado con el equipo receptor compatible en ARC y cumple con el nivel I2 para seguridad de la información.
5. El módulo TL8803GI-EU tiene una ruta de comunicación: ruta de comunicación celular 3G HSPA usando una red celular pública de 900/1800/2100 MHz y una ruta de Ethernet. Las rutas de comunicación se pueden usar en un modo autónomo/modo individual o en un modo de respaldo (secundario) junto con un sistema de alarma DSC (modelos de panel de control de alarma DSC compatibles: HS2128/064/032/016, HS3248/HS3128/HS3032). La configuración ATS compatible es: categoría personalizada DP3.
6. El TL8803GI-EU ha sido probado y cumple con los siguientes estándares aplicables: EN50131-1:2006/A1:2009, EN50136-1:2012, EN50136-2:2013, EN50131-10:2014, Configuración ATS: DP3.

Para instalaciones que cumplen con la norma EN50131-1:2006/A1:2009, se deberán configurar las siguientes opciones de programación según se describe.

Pulso de supervisión: deberá ajustarse a 180 segundos

NOTA: El receptor compatible en la ubicación ARC deberá tener una ventana de supervisión programada para 180 segundos.

El TL8803GI-EU ha sido certificado por ALTER TECHNOLOGY TÜV NORD S.A.U. de conformidad con los requisitos de las normas EN50131-1:2006/A1:2009, EN50131-10:2014 Grade 3, Clase II y la configuración de la norma EN50136-2:2013: DP3

#### DECLARACIÓN UE DE CONFORMIDAD SIMPLIFICADA

Por la presente, Tyco Safety Products Canada Ltd declara que este equipo radioeléctrico es conforme con la Directiva 2014/53/UE. El texto completo de la declaración UE de conformidad está disponible en la dirección Internet siguiente: <http://dsc.com/pdf/1609001>

#### Bandas de frecuencia Potencia máxima

Z-wave	868.42 MHz	4 dBm max EIRP
Sensor de imagen	868.3 MHz	10 dBm max EIRP
Radio celular	850/900/2100 MHz bands	30 dBm max EIRP

#### Punto de contacto único en Europa:

Tyco Safety Products, Voltaweg 20, 6101 XK Echt, Holanda

Categoría personalizada ATS C	Nivel
EN50136-1:2012 Anexo D Tabla D.1	D3
EN50136-1:2012 Anexo D Tabla D.2	M3
EN50136-1:2012 Anexo D Tabla D.3	T4
EN50136-1:2012 Anexo D Tabla D.4	A4 (Dependiendo del proveedor celular usado)
EN50136-1:2012 Anexo D Tabla D.5	S1 (usa AES-128 y autenticación /información secuencial en cada mensaje transmitido al receptor SG)
EN50136-1:2012 Anexo D Tabla D.6	I1 (usa encriptación AES-128)
EN50136-1:2012 Tabla 1	Usa ruta de comunicación sencilla (red celular)
EN50136-1:2012 Tabla 4	Fallo ATS informado a ARC
EN50136-1:2012 Tabla 5	Fallo ATS informado a AS (panel de control DCS compatible HS2128/HS2064/HS2032/HS2016)
EN50136-1:2012 Tabla 6	No existe grabación del fallo de disponibilidad
EN50136-2:2013 Tabla 1	No se suministró función de inicio de sesión
EN50136-2:2013 Tabla 2	No se suministró memoria para función de inicio de sesión
EN50136-2:2013 Tabla 3	Fallo ATS informado a ARC

© 2020 Johnson Controls. Todos los derechos reservados.

Johnson Controls, Tyco y DSC son marcas registradas de Johnson Controls.

Soporte técnico: 1-800-387-3630 (Canadá y Estados Unidos), 905-760-3000

[www.dsc.com](http://www.dsc.com)

Las marcas registradas, logotipos y las marcas de servicio mostradas en este documento están registradas en los Estados Unidos y/u otros países. Cualquier uso indebido de las marcas registradas está estrictamente prohibido y Tyco hará cumplir rigurosamente sus derechos de propiedad intelectual hasta el máximo grado permitido por la ley, incluyendo el inicio de acciones penales dondequiera que sean necesarias. Todas las marcas registradas no pertenecientes a Tyco son propiedad de sus respectivos propietarios, y se utilizan con permiso o según lo permitido por la legislación vigente.

Los productos ofrecidos y sus especificaciones están sujetos a modificaciones sin previo aviso. Los productos reales pueden diferir de las fotos. No todos los productos incluyen todas las funciones. La disponibilidad varía según la región; contacte con su representante de ventas.

# Controlador de Duplo Canal TL8803GI-EU



**NOTIFICAÇÃO:** Este manual inclui informação sobre as limitações referentes ao uso e funcionamento do produto e informação sobre as limitações como a responsabilidade do fabricante. Todo o manual deve ser lido com atenção.

---

<b>Notificação: Instalador, por favor, leia cuidadosamente</b> .....	<b>3</b>
<b>Apresentação de Alarm.com</b> .....	<b>5</b>
<b>Módulo IP/HSPA 3G - TL8803GI-EU</b> .....	<b>5</b>
<b>Características</b> .....	<b>6</b>
<b>Classificações do Comunicador</b> .....	<b>6</b>
<b>Compatibilidade do Comunicador</b> .....	<b>7</b>
<b>Instalação</b> .....	<b>8</b>
<b>Ferramentas e Provisões necessárias</b> .....	<b>8</b>
<b>INSTRUÇÕES DE MONTAGEM PARA O TL8803GI-EU</b> .....	<b>8</b>
<b>Passo 1: Ativar Módulo</b> .....	<b>9</b>
<b>Passo 2: Conectar o TL8803GI-EU</b> .....	<b>9</b>
<b>Passo 3: Verificar o código do instalador para ativar o módulo da Alarm.com</b> .....	<b>12</b>
<b>Passo 4: Executar o teste de duplo canal (registro do módulo)</b> .....	<b>12</b>
<b>Passo 5: Permitir a autoprogramação do módulo</b> .....	<b>12</b>
<b>Registro do Sensor de Imagem da Alarm.com</b> .....	<b>13</b>
<b>Configurações do Painel</b> .....	<b>13</b>
Notificações .....	14
Definições do painel modificadas automaticamente .....	15
Relógio .....	16
<b>Solução de Problemas</b> .....	<b>17</b>
<b>Informações do status do módulo</b> .....	<b>17</b>
<b>LEDS de Solução de Problemas</b> .....	<b>18</b>
LED L1 (Vermelho) .....	18
LED L2 (Amarelo) .....	19
LED L3 (Amarelo) .....	19
LED L4 (Verde) .....	20
LED L5 (Amarelo) .....	20
<b>Vários Estados do Módulo (Modos)</b> .....	<b>20</b>
<b>Melhoria da força do sinal sem fio</b> .....	<b>21</b>
<b>Orientar o Cliente através da Configuração Novo Usuário na web.</b> .....	<b>21</b>
<b>Menu de Serviço Interativo</b> .....	<b>23</b>
<b>Menus Interativos</b> .....	<b>23</b>
<b>Programação instalador</b> .....	<b>23</b>
<b>Funções do Usuário</b> .....	<b>23</b>
<b>Garantia Limitada</b> .....	<b>25</b>
<b>Contrato de Licença de Usuário Final</b> .....	<b>26</b>
<b>Informações regulatórias</b> .....	<b>27</b>

---

# Notificação: Instalador, por favor, leia cuidadosamente

## Nota para Instaladores

Os avisos nesta página podem conter informação essencial. Como único indivíduo em contato com os usuários do sistema, é de sua responsabilidade trazer cada item desta advertência à atenção dos usuários deste sistema.

### Falhas do Sistema

Este sistema foi cuidadosamente projetado para ser tão eficaz quanto possível. Entretanto, há circunstâncias que envolvem incêndio, roubo ou outros tipos de emergência, onde este poderia não oferecer proteção. Qualquer sistema de alarme de qualquer tipo pode estar comprometido deliberadamente ou pode falhar ao operar como esperado por uma variedade de razões. Algumas, mas não todas destas razões podem ser:

#### Acesso por Intrusos

Os intrusos podem entrar através de um ponto de acesso não protegido, evitando um dispositivo sensor, esquivando-se de detecção pela movimentação através de uma área de cobertura insuficiente, desconectando um dispositivo de aviso ou interferindo ou evitando a operação adequada do sistema.

#### Falha de Componente

Embora todo esforço tenha sido feito para fazer este sistema tão confiável quanto possível, o sistema pode falhar para funcionar como planejado devido à falha de um componente.

#### Compromisso de Radiofrequência (Sem fio)

Os sinais podem não alcançar o receptor sob todas as circunstâncias as quais poderiam incluir objetos de metal posicionados sobre ou próximos do caminho do rádio ou considerar bloqueio ou outra interferência do sinal de rádio por inadvertência.

#### Conhecimento criminal

Este sistema contém recursos de segurança que são conhecidos como sendo eficazes no momento da fabricação. É possível, para pessoas com pretensões criminais, desenvolver técnicas que reduzam a eficácia destes recursos. É importante que um sistema de segurança seja revisado periodicamente para garantir que os seus recursos permaneçam eficazes e que sejam atualizados ou substituídos, se forem encontrados de forma que não ofereçam a proteção esperada.

#### Falha das Baterias Substituíveis

Os transmissores remotos deste sistema foram projetados para oferecer vários anos de vida de bateria sob condições normais. A vida esperada da bateria é uma função do ambiente do dispositivo, utilização e tipo. As condições ambientais, tais como alta umidade, alta ou baixa temperatura ou grandes flutuações de temperatura, podem reduzir a vida esperada da bateria. Enquanto cada dispositivo transmissor tem um monitor de bateria baixa, o qual identifica quando as baterias necessitam ser substituídas, este monitor pode falhar para operar como esperado. Teste e manutenção regulares manterão o sistema em boas condições operacionais.

#### Instalação Inadequada

Um sistema de segurança deve ser instalado adequadamente a fim de fornecer uma proteção adequada. Cada instalação deverá ser avaliada por um profissional de segurança para garantir que todos os pontos e áreas de acesso sejam cobertos. Fechaduras e trancas em janelas e portas devem ser fixadas e operar como previsto. Janelas, portas, paredes, tetos e outros materiais de construção devem ser de suficiente resistência e construção para oferecer o nível de proteção esperado. Uma reavaliação deve ser feita durante e após qualquer atividade de

construção. Uma avaliação pelo departamento de incêndio e/ou de polícia é extremamente recomendada se este serviço estiver disponível.

#### Teste Inadequado

A maioria dos problemas, que evitariam um sistema de alarme de operar como planejado, pode ser encontrada pelo teste e manutenção regulares. O sistema completo deverá ser testado semanalmente e imediatamente após uma interrupção, uma interrupção intencional, um incêndio, uma tempestade, um terremoto, um acidente ou qualquer tipo de atividade de construção dentro ou fora das instalações. O teste deverá incluir todos os dispositivos sensores, teclados, consoles, dispositivos que indicam alarme e quaisquer outros dispositivos operacionais que fazem parte do sistema.

#### Tempo Insuficiente

Podem haver circunstâncias, quando o sistema irá operar como planejado, em que os ocupantes não seriam protegidos de emergência devido à sua inability de responder aos avisos em tempo. Se o sistema for monitorado, a resposta pode não ocorrer em tempo para proteger os ocupantes ou os seus pertences.

#### Detetores de Movimento

Os detetores de movimento podem detectar movimento somente dentro das áreas designadas, como mostrado nas suas respectivas instruções de instalação. Eles não podem discriminar entre intrusos e ocupantes internos. Os detetores de movimento não oferecem proteção da área volumétrica. Eles têm múltiplos feixes de detecção e o movimento pode somente ser detectado em áreas não obstruídas cobertas por estes feixes. Eles não podem detectar movimento que ocorre atrás das paredes, tetos, pisos, portas fechadas, partições de vidro, portas ou janelas de vidro. Qualquer tipo de violação, seja intencional ou não-intencional, tais como mascaramento, pintura ou borrifação de qualquer material nos sensores, espelhos, janelas ou qualquer outra parte do sistema de detecção, prejudicará sua operação adequada. Os detetores de movimento com infravermelho passivo operam detectando alterações na temperatura. Entretanto, a sua eficácia pode ser reduzida quando a temperatura ambiente aumentar para próximo ou acima da temperatura do corpo ou se houver fontes de calor intencionais ou não-intencionais dentro ou próximas da área de detecção. Algumas destas fontes de calor poderiam ser aquecedores, radiadores, estufas, churrasqueiras, lareiras, luz solar, vaporizadores, iluminação, etc.

#### Falha de Energia

As unidades de controle, os detetores de intrusão, os detetores de fumaça e vários outros dispositivos de segurança requerem uma fonte de alimentação adequada para operação apropriada. Se um dispositivo opera com baterias, é possível que as baterias falhem. Mesmo se as baterias não falharem, elas devem ser carregadas, em boas condições e instaladas corretamente. Se um dispositivo opera somente com energia de CA, qualquer interrupção, mesmo que breve, tornará aquele dispositivo inoperante enquanto não tiver energia. As interrupções de energia de qualquer duração são frequentemente acompanhadas por flutuações de tensão, que pode danificar o equipamento eletrônico, tal como um sistema de segurança. Após ter ocorrido uma interrupção de energia, conduzir imediatamente um teste completo do sistema para garantir que o sistema opere como planejado.

#### Segurança e Seguro

Independente de suas competências, um sistema de alarme não é um substituto para um seguro de propriedade ou de vida. Um sistema de alarme também não é um substituto para possuidores de propriedades, inquilinos ou outros ocupantes para agir prudentemente a fim evitar ou minimizar os efeitos prejudiciais de uma situação de emergência.

#### Detetores de Fumaça

Os detetores de fumaça, que são uma parte deste sistema, podem não alertar adequadamente os ocupantes de um incêndio por várias razões, algumas das quais citadas a seguir. Os detetores de fumaça podem

---

não ter sido instalados ou posicionados adequadamente. A fumaça pode não ser capaz de alcançar os detectores de fumaça, tal como quando o fogo está em uma chaminé, paredes ou telhados, ou do outro lado de portas fechadas. Os detectores de fumaça podem não detectar a fumaça de incêndios em um outro pavimento da residência ou do prédio. Cada incêndio é diferente na quantidade de fumaça produzida e na proporção da queima. Os detectores de fumaça podem não detectar igualmente bem todos os tipos de fogo. Os detectores de fumaça podem não proporcionar aviso em tempo de incêndios causados por imprudência ou riscos de segurança, tais como fumar na cama, explosões violentas, escape de gás, estocagem inadequada de materiais inflamáveis, circuitos elétricos sobrecarregados, crianças brincando com fósforos ou incêndio culposos. Mesmo se o detector de fumaça operar como planejado, pode haver circunstâncias quando há aviso insuficiente para permitir que todos os ocupantes escapem em tempo para evitar lesões ou morte.

#### **Linhas Telefônicas**

Se as linhas telefônicas forem utilizadas para transmitir alarmes, elas podem estar fora de serviço ou ocupadas por certos períodos de tempo. Outrossim, um intruso pode cortar a linha telefônica ou anular sua operação por meios mais sofisticados, os quais podem ser difíceis de serem detectados.

#### **Dispositivos de Aviso**

Os dispositivos de aviso, tais como sirenes, buzinas ou luzes estroboscópicas podem não avisar ou acordar alguém que esteja dormindo, se houver intervenção de uma parede ou porta. Se os dispositivos de aviso estiverem localizados em um nível diferente da residência ou do prédio, então, é menos provável que os ocupantes sejam alertados ou acordados. Os dispositivos de aviso audíveis podem ser interferidos por outras fontes de ruído, como estéreos, rádios, televisores, ar-condicionados ou outros equipamentos ou tráfego passante. Os dispositivos de aviso audíveis, mesmo altos, podem não ser ouvidos por uma pessoa com deficiência auditiva.



---

## IMPORTANTE

Este manual de instalação deve ser utilizado em conjunto com o manual de instalação do painel de controle disponível on-line no site da DSC no endereço [www.dsc.com](http://www.dsc.com). Todas as instruções de segurança especificadas neste manual devem ser observadas. O painel de controle é referenciado como o "painel" ao longo deste documento. Este manual de instalação fornece informação para as ligações essenciais, programação e solução de problemas.

O comunicador de alarme é uma unidade fixa, de montagem mural e, deve ser instalado em um local especificado nestas instruções. O módulo do comunicador de alarme NÃO deve ser instalado dentro do compartimento metálico do painel de alarme. Caso contrário, as transmissões de celular e de radiofrequência (Z-Wave) serão significativamente prejudicadas. Antes da operação, a caixa do equipamento deve ser totalmente montada e fechada com todos os parafusos e abas necessários, e deve ser fixada em uma parede. A fiação interna deve ser direcionada de maneira a impedir:

- Tensão excessiva num fio e nas conexões do terminal,
- Interferência entre fiação de alimentação limitada e não limitada.
- Conexões do terminal soltas, ou
- Dano no isolamento do condutor.

**Aviso: Nunca instale este equipamento durante uma tempestade com raios.**

## Informação de Segurança

O instalador deve informar o usuário do sistema sobre o seguinte:

- Não tente reparar autonomamente o equipamento. Abrir ou remover as tampas pode expor o usuário a voltagem perigosa ou outros riscos.
- Qualquer reparação deve ser apenas realizada por técnicos qualificados.
- Apenas usar acessórios autorizados com este equipamento.
- Não permanecer junto do equipamento durante o funcionamento do dispositivo.
- Não tocar na antena externa.

## Apresentação de Alarm.com

O objetivo deste guia é oferecer instruções de instalação e operação para o módulo comunicador da Alarm.com. As seções a seguir oferecem uma breve visão geral dos seus recursos. Algumas funcionalidades e características variam dependendo do plano de serviço Alarm.com selecionado. Visite [www.alarm.com/Dealer](http://www.alarm.com/Dealer) ou contate Alarm.com para mais informação.

**Nota:** O módulo de Duplo Canal IP/HSPA 3G está disponível no modelo TL8803GI-EU.

**Nota:** A funcionalidade do sensor de imagem pode não estar habilitada em todas as regiões.

O módulo TL8803GI-EU contém o subconjunto de IP/Rádio e o PC-Link para a interface de conversão RS422. O módulo é compatível apenas com a Unidade de Controle de Alarme NEO modelos HS2128, HS2064, HS2032 e HS2016 versões de software 1.1 e posterior.

## Módulo IP/HSPA 3G - TL8803GI-EU

O módulo de Duplo Canal permite o envio de relatórios sem fio de todos os alarmes e outros eventos do sistema a partir do painel de controle DSC Neo utilizando uma rede sem fio (celular) HSPA totalmente digital ou uma rede Ethernet. O módulo pode ser utilizado como um caminho de comunicação primário para toda a sinalização de alarmes ou como reserva (backup) para uma conexão telefônica conectada à estação de monitoramento central. O serviço de roteamento e de sinalização de alarme sem fio é operado pela Alarm.com. O

módulo HSPA também incorpora o suporte integrado para a solução de automação residencial da Alarm.com com funcionalidades Z-Wave incorporadas.

**Nota:** A solução de automação residencial da Alarm.com com funcionalidades Z-Wave não é avaliada pelas normas EN50131-1:2006/A1:2009 e EN50136-1:2012.

## Informações de contato

Para informações adicionais e suporte que se referem aos módulos da Alarm.com, configuração inicial de uma conta, automação residencial e todos os outros produtos e serviços da Alarm.com, por favor, acesse: [www.Alarm.com/dealer](http://www.Alarm.com/dealer) ou entre em contato com o suporte técnico da Alarm.com pelo telefone: 1-866-834-0470.

## Características

- Criptografia AES de 128 bits pelo celular e internet.
- Comunicação de alarme celular principal ou secundária (backup) e porta Ethernet.
- Muda automaticamente para 2G (EDGE/GPRS) se os serviços HSPA (3G) não estiverem disponíveis.
- Relatório completo de evento para a estação central.
- Transmissão de teste periódico celular.
- Roteamento de chamada integrado.
- Suporte de uploading/downloading remoto do painel via celular ou internet.
- Conexão PC-LINK.
- Etiquetas Programáveis.
- Suportados formatos SIA e ID de Contato (CID).
- Exibição de LEDs de intensidade de sinal e de problema.
- Cartão de Módulo de Identidade do Subscritor (SIM) incluído com o comunicador.
- Supervisão de pulsações enviadas por celular.
- Capacidade de áudio 2-vias sempre que usado com módulo áudio HSM2955(R) - Refira-se ao manual HSM2955(R).

## Classificações do Comunicador

Modelo	TL8803GI-EU
<b>Classificações de energia elétrica</b>	
Voltagem de entrada	11,3 V - 12,5 V CC (fornecida pelo painel de controle compatível com o DSC NEO)
<b>Consumo de corrente</b>	
Corrente em standby (valor médio)	100 mA@12 V (I)
Corrente (em transmissão) do alarme (valor máximo)	200 mA@12 V (I)
Rede Celular	HSPA 3G
Frequência de funcionamento	Quad-band GSM/GPRS/EDGE + HSPA em 850/900/2100 MHz
<b>Especificações ambientais</b>	
Temperatura de funcionamento	-10°C a 55°C
Temperatura de armazenamento	-34°C a 60°C
Umidade	93% U.R. sem condensação
<b>Especificações mecânicas</b>	
Dimensões	6" x 8.9" x 1.3"
Peso	365 g (I)

---

## Compatibilidade do Comunicador

Alternativo	Receptor/ Painel	Descrição
TL8803GI-EU	Receptor	<ul style="list-style-type: none"><li>• Recetor Sur Gard System I, versão 1.13+</li><li>• Receptor Sur Gard System II, versão 2.10+</li><li>• Sur Gard SG DRL3 IP, versão 2.30+ (para Receptor Sur Gard System III)</li><li>• Sur-Gard SG DRL4 IP, versão 1.20+ (para Receptor Sur-Gard System IV)</li><li>• Sur-Gard SG DRL5 IP, versão 1.00+ (para Receptor Sur-Gard System 5)</li></ul>
	Painel	<ul style="list-style-type: none"><li>• HS2016, versão 1.1+</li><li>• HS2032, versão 1.1+</li><li>• HS2064, versão 1.1+</li><li>• HS2128, versão 1.1+</li></ul>

**Nota:** Insira [\*][8][Código do Instalador][900][000] no teclado para visualizar o número de versão do painel.

Os produtos ou componentes dos produtos, que realizem funções de comunicações devem apenas cumprir com os requisitos aplicáveis a equipamento de comunicações como especificado em EN60950-1, Equipamento de Tecnologia de Informação - Segurança - Parte 1: Requisitos Gerais. Os referidos componentes incluem, mas não são limitados a: controladores; routers; NIDs; provedores de serviço de comunicações de terceiros: modems DSL; e modems de cabo.

## INSTALAÇÃO

Siga estas diretrizes durante a instalação.

- Antes de fixar o comunicador a uma parede, verifique o nível do sinal HSPA no local da instalação. No teclado, pressione e mantenha pressionada a tecla 5 por 2 segundos para visualizar o nível do sinal HSPA. Recomenda-se uma localização de instalação onde um nível de sinal constante de duas ou mais barras possa ser obtido.
- Não ultrapasse a potência de saída total do painel utilizando a potência do painel para o módulo TL8803GI-EU, sensores cabeados e/ou sirenes. Refira-se às instruções específicas de instalação do painel para detalhes. Somente um módulo pode ser utilizado para cada painel.
- Para minimizar uma potencial interferência com qualquer sinalização celular, evite a montagem do comunicador em áreas com cabeamento metálico ou elétrico excessivo como, por exemplo, fornos ou salas de utilitários.

Não montar o comunicador TL8803GI-EU no interior da caixa do painel de alarme metálico.

## Ferramentas e Provisões necessárias

Necessitará das seguintes ferramentas e provisões:

- Pequenas chaves de fenda planas e Philips
- Parafusos (incluídos)
- Antena (incluída)
- Cabo de borracha 16 pinos (incluído)

## INSTRUÇÕES DE MONTAGEM PARA O TL8803GI-EU

Antes de fixar o equipamento na parede, verifique se o nível de sinal HSPA disponível no local de instalação está forte.

Monte o TL8803GI-EU em um local seco, protegido e que não seja perigoso.

Para montagem na parede:

1. Insira uma chave de fenda nas ranhuras e force para cima para remover a tampa frontal.

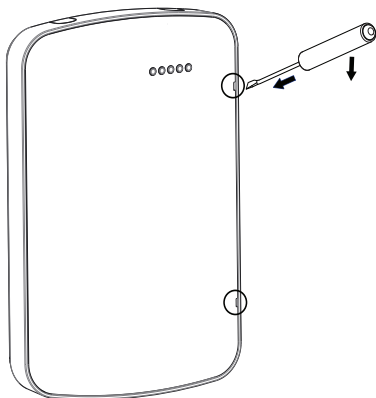


Figura 1 - Remoção da tampa frontal

2. Para cabos passados pela superfície, remova as duas abas divisórias na lateral da placa traseira.

3. Passe os cabos RS422 e Ethernet pelas presilhas de retenção, como mostrado no diagrama 2. Encaminhe os cabos nas direções indicadas pelas setas.

Para ver as especificações de energia do painel de controle, consulte o seu manual de instalação.

Cuidado: Passe todo o cabeamento de acordo com os códigos e normas locais.

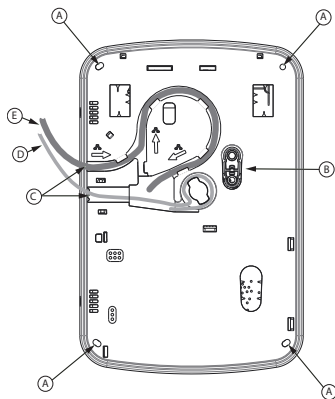


Figura 2 - Placa traseira do TL8803GI-EU

A: Orifícios de montagem

B: Placa anti-vaolação de parede

C: Abas divisórias

D: Cabo RS422

E: Cabo Ethernet

4. Prenda a placa traseira na parede usando os 4 orifícios de montagem. Ver Figura 2.

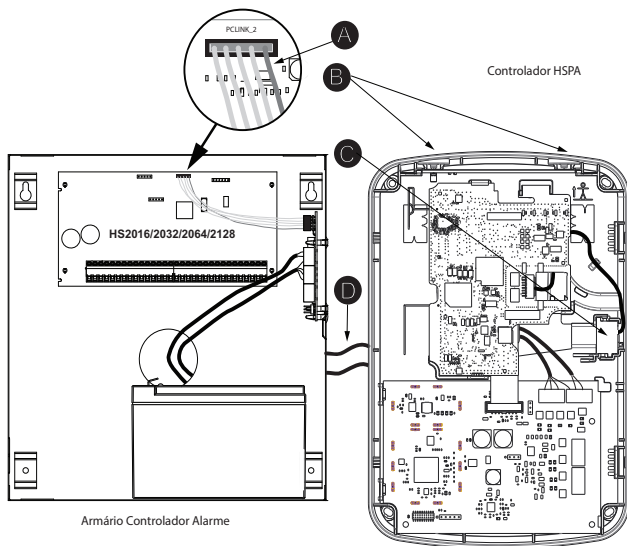
Use todos os 4 parafusos fornecidos. Se a montagem for feita em parede de gesso, utilize os fixadores plásticos. Se for usar a proteção anti-vaolação, prenda a placa anti-vaolação na parede com um parafuso.

## Passo 1: Ativar Módulo

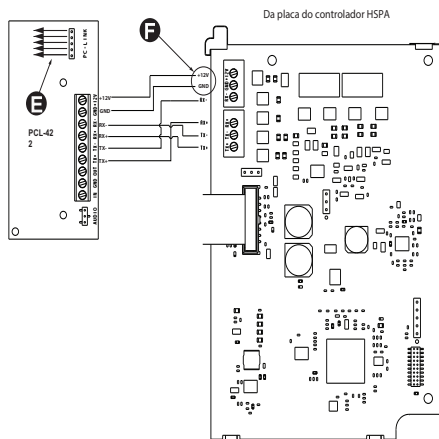
Para que o módulo Alarm.com comunique com o painel, seção [382] opção 5 no painel tem de ser definido para ON. Esta seção está OFF por padrão e tem de ser ativada para que o sistema funcione corretamente. Isso deve ser realizado antes de conectar o cabo PC Link para ativar o módulo para assegurar que todos os comandos de inicialização são processados corretamente.

## Passo 2: Conectar o TL8803GI-EU

**Cuidado:** Certifique que o painel de alarme está totalmente desligado (i.e. CA e bateria desconectadas) antes de conectar o TL8803GI-EU.



Montado no Armário Controlador Alarme



A	Fio vermelho no controlador de alarme PCLink2 Header
B	Portas de acesso da antena
C	Conexão do cabo Ethernet
D	Cabos Quad (100' / 30 m máximo)
E	Fio vermelho em PCL-422 PCLink Header
F	Terminais de alimentação da placa do controlador HSPA Pode ser conectado ao módulo de alimentação (HSM2204/2300).

## 1: Conecte o Barramento de Dados

O comprimento máximo do cabo permitido para o barramento de dados é 100 pés/30 m.

- Conecte o terminal **RX+** no TL8803GI-EU ao terminal **TX+** no PCL-422
- Conecte o terminal **RX-** no TL8803GI-EU ao terminal **TX-** no PCL-422

- Conecte o terminal **TX-** no TL8803GI-EU ao terminal **RX-** no PCL-422
- Conecte o terminal **TX+** no TL8803GI-EU ao terminal **RX+** no PCL-422

## 2: Conectar a Alimentação

O comprimento máximo do cabo permitido para a conexão da alimentação é 100 pés/30 m.

- Conecte o terminal **GND** no TL8803GI-EU ao terminal **GND** no PCL-422
- Conecte o terminal **+12 V** no TL8803GI-EU ao terminal **+12 V** no PCL-422

## 3: Conectar o cabo PC-Link

**Nota:** Para garantir a orientação correta, refira-se aos itens A a D nos diagramas de fiação para posicionamento correto do fio vermelho no cabo PC-link.

- Conecte um dos extremos do cabo PC-Link fornecido ao PC-Link Header no PCL-422
- Conecte o outro extremo do cabo PC-Link ao PC-LINK\_2 header no painel de alarme

## 4: Conectar Ethernet (Opcional)

**Nota:** Consulte o item C no esquema de ligação para ver a colocação correta do cabo Ethernet.

Um cabo Ethernet de categoria 5 (CAT 5) deve sair de uma fonte ligada à Internet para o módulo comunicador dentro do TL8803GI-EU. A ponta do cabo que corresponde ao comunicador deve ter um conector RJ45.

- Conecte uma ponta do cabo Ethernet à porta Ethernet do comunicador.
- Conecte a outra ponta do cabo Ethernet à porta Ethernet do roteador e verifique se o LED de status do link está aceso.

Todos os requisitos para a instalação do cabo Ethernet CAT5 devem ser observados para que o comunicador funcione corretamente, incluindo, entre outros:

- NÃO desencapar o revestimento do cabo mais do que o necessário para um terminal apropriado.
- NÃO entortar ou dar nó no cabo.
- NÃO esmagar o cabo com abraçadeiras.
- NÃO desentrelaçar os pares do CAT5 mais do que 1,2 centímetro (0,5 polegada).
- NÃO fazer junções no cabo.
- NÃO dobrar o cabo em ângulos retos ou fazer quaisquer outras dobras acentuadas.

**Notas:**

- A especificação para CAT5 exige que qualquer dobra no cabo tenha um raio de pelo menos 5 centímetros (2 polegadas). O comprimento máximo do cabo CAT5 deve ser de 100 metros (328 pés).
- Antes de sair do local, as linhas de comunicação Ethernet têm primeiramente de ser conectadas a um tipo de NID aprovado (aceitável pelas autoridades locais). Toda a instalação elétrica deve ser realizada de acordo com as normas de eletricidade locais.

## 5: Conecte a antena exterior (Opcional)

Antenas atualizadas estão disponíveis para o TL8803GI-EU se existir uma recepção celular inadequada no local preferencial de montagem. Entre em contato com o suporte técnico da DSC para as opções de antena disponíveis.

O TL8803GI-EU possui duas portas de acesso cobertas no topo superior da caixa. Remova guia de plástico que está cobrindo a porta desejada e pode montar a antena na caixa ou usar a abertura para passar o cabo da antena.

**Nota:** Devido à curvatura da caixa, as tampas plásticas da porta NÃO são intercambiáveis. Certifique que quaisquer portas não usadas estão cobertas com a respetiva guia plástica original.

**Notificação:** A antena externa tem de ser instalada de maneira a impedir que os usuários finais acessem qualquer parte condutora da antena ou do cabo da antena (i.e. montagem embutida ou equivalente)

## 5: Ligar

Conecte a bateria do painel e a alimentação CA. Após ser ligado, veja os itens principais na tela LCD. Certifique que o módulo foi totalmente conectado ao painel de alarme através do cabo quad como mostrado no diagrama de fiação.

## Passo 3: Verificar o código do instalador para ativar o módulo da Alarm.com

Os alarmes e outros sinais não serão enviados para a Alarm.com antes da verificação do código do instalador. Para ativar a conta, realize os seguintes passos:

1. Conecte o módulo da Alarm.com ao painel. Certifique-se de que a seção 382 opção 5 esteja em ON (Ligado).
2. Pressione [\*][8] para acessar a opção Installer Programming (Programação do Instalador).
3. Insira o código do instalador.
4. Pressione [#] para sair da Programação do Instalador.

Para ativar remotamente um sistema que já está com sinal, siga os seguintes passos:

1. Vá para [www.alarm.com/dealer](http://www.alarm.com/dealer).
2. Vá para a conta do cliente.
3. Selecione a mensagem de erro na parte superior da página.
4. Insira o código do instalador.

## Passo 4: Executar o teste de duplo canal (registro do módulo)

Para iniciar a comunicação do módulo com a Alarm.com e a rede celular pela primeira vez, execute um "teste telefônico de duplo canal". Note que o teste também pode ser utilizado pelo instalador a qualquer momento para forçar a comunicação com a Alarm.com. Para testar o canal de celular, mantenha pressionado o [3] por dois segundos. Para testar o canal de banda larga, mantenha pressionado o [4] por dois segundos. O teste de duplo canal também pode ser concluído através do menu Interactive Services (Serviços Interativos). Para executar o teste de duplo canal, pressione [\*][6], seguidos do código mestre e [04].

O painel indicará quando o teste for concluído ativando a saída da sirene em volume médio por 2 segundos, seguidos por 2 segundos em volume máximo. Porém, se o teste for iniciado pelas teclas [3] ou [4], ou pelo menu Interactive Services (Serviços Interativos), a sirene não irá tocar. Todas as luzes e pixels do LCD serão acesos. Isto indica que a Alarm.com recebeu e confirmou o sinal. Isto não garante que o sinal foi encaminhado para uma estação central; isto confirma apenas que o Centro de Operações de Rede da Alarm.com recebeu o sinal. A estação central deverá ser contatada diretamente para verificar se o sinal foi recebido na conta correta e que os ajustes de roteamento da central tenham sido configurados corretamente. Se o sinal não passar pela estação central, o painel exibirá a mensagem "Failure to Communicate" (Falha de comunicação). Verifique novamente o item central station Forwarding Settings (ajustes de encaminhamento à estação central da conta) na Alarm.com e entre em contato com o suporte técnico se o problema persistir.

## Passo 5: Permitir a autoprogramação do módulo

Após o teste de duplo canal ter êxito, aguarde 2 minutos para que o módulo seja programado e inicializado automaticamente antes de acessar os menus de Installer Programming (Programação do Instalador). Se a Programação do Instalador for acessada durante a inicialização do módulo, o processo será cancelado. Os teclados



LCD exibem uma mensagem indicando quando a autoprogramação está ocorrendo e quando ela foi concluída. Durante a sessão de autoprogramação, o módulo programará automaticamente as configurações do painel exigidas para o funcionamento adequado com a Alarm.com, como descrito na seção de “Configurações do Painel”.

## Registro do Sensor de Imagem da Alarm.com

**Nota:** Esse recurso pode ser habilitado ou desabilitado no produto. Verifique com seu instalador se esse recurso está ativado em seu aplicativo.

A capacidade integrada do Sensor de Imagem da Alarm.com não foi avaliada pela UL.

1. Assegure-se de que as baterias sejam removidas do sensor.
2. No painel, acesse o menu Serviços Interativos. O menu Serviços Interativos pode ser acessado por meio da seção [851] da Programação do Instalador.
3. Pressione [\*][8][Código do Instalador][851].
4. Role para a Configuração do Sensor de Imagem e pressione [\*].
5. Role para Aprendizagem sobre o sensor de imagem e pressione [\*]. O teclado irá exibir “Ligue ou reinitialize I.S agora.”
6. Insira as baterias no sensor. Aguarde aproximadamente 20 segundos para que a tela do painel de controle exiba: “I.S. [x] Adicionado como Sensor [y].” O LED no sensor será aceso durante 5 segundos, uma vez que o sensor seja registrado.
7. Execute outro teste de comunicação no painel para assegurar que a Alarm.com receba a lista atualizada de equipamentos do dispositivo. Isto irá acelerar o processo de inicialização do sensor.
  - A zona será configurada como uma zona virtual e programada automaticamente no slot seguinte disponível na seção [560][001]-[032] começando na zona 126 e com contagem decrescente para cada sensor de imagem suplementar adicionado.
  - Depois de registrado, o Sensor de Imagem aparecerá como uma zona normal.
  - Por padrão, o sensor de imagem é registrado como uma zona Interior/Total na zona tipo 005. O tipo e os atributos da zona podem ser atribuídos no menu do instalador de uma forma similar à das zonas comuns. Para mais informações, consulte a seção “Configurar Zona” do Manual de Referência do Controlador de Alarme PowerSeries Neo.

## Configurações do Painel

### Configurações da Estação Central e da Linha Telefônica

As configurações da Estação Central e da Linha Telefônica serão automaticamente configuradas na página CS Forwarding Settings (Ajustes de encaminhamento) no Site do Distribuidor Alarm.com. A seguir estão as configurações do painel que são definidas através da página do site do vendedor (quando necessário) e que não devem ser configuradas no painel:

Seção	Opção	Descrição
015	7	Monitoramento da linha telefônica
300 [001]	--	Caminho Comunicação do Painel - Receptor 1
300 [002]	--	Caminho Comunicação do Painel - Receptor 2
300 [003]	--	Caminho Comunicação do Painel - Receptor 3
300 [004]	--	Caminho Comunicação do Painel - Receptor 4
301 [001]	--	Número telefone 1 de comunicação
301 [002]	--	Número telefone 2 de comunicação
301 [003]	--	Número telefone 3 de comunicação

<b>Seção</b>	<b>Opção</b>	<b>Descrição</b>
301 [004]	--	Número telefone 4 de comunicação
309 [001]	--	Direção Chamada Sistema - Manutenção
309 [002]	--	Direção Chamada Sistema - Transmissão de Teste
310 [000]	--	Número da conta no sistema
310 [001]	--	Número de conta da partição 1
310 [002]	--	Número de conta da partição 2
310 [003]	--	Número de conta da partição 3
310 [004]	--	Número de conta da partição 4
310 [005]	--	Número de conta da partição 5
310 [006]	--	Número de conta da partição 6
310 [007]	--	Número de conta da partição 7
310 [008]	--	Número de conta da partição 8
311 [001]	--	Direção de Chamada partição 1 - Alarme/Restaur
311 [002]	--	Direção Chamada partição 1 - Violação/Restaur
311 [003]	--	Direção Chamada partição 1 - Abrir/Fechar
312 [001]	--	Direção de Chamada partição 2 - Alarme/Restaur
312 [002]	--	Direção Chamada partição 2 - Violação/Restaur
312 [003]	--	Direção Chamada partição 2 - Abrir/Fechar
313 [001]	--	Direção de Chamada partição 3 - Alarme/Restaur
313 [002]	--	Direção Chamada partição 3 - Violação/Restaur
313 [003]	--	Direção Chamada partição 3 - Abrir/Fechar
314 [001]	--	Direção de Chamada partição 4 - Alarme/Restaur
314 [002]	--	Direção Chamada partição 4 - Violação/Restaur
314 [003]	--	Direção Chamada partição 4 - Abrir/Fechar
315 [001]	--	Direção de Chamada partição 5 - Alarme/Restaur
315 [002]	--	Direção Chamada partição 5 - Violação/Restaur
315 [003]	--	Direção Chamada partição 5 - Abrir/Fechar
316 [001]	--	Direção de Chamada partição 6 - Alarme/Restaur
316 [002]	--	Direção Chamada partição 6 - Violação/Restaur
316 [003]	--	Direção Chamada partição 6 - Abrir/Fechar
317 [001]	--	Direção de Chamada partição 7 - Alarme/Restaur
317 [002]	--	Direção Chamada partição 7 - Violação/Restaur
317 [003]	--	Direção Chamada partição 7 - Abrir/Fechar
318 [001]	--	Direção de Chamada partição 8 - Alarme/Restaur
318 [002]	--	Direção Chamada partição 8 - Violação/Restaur
318 [003]	--	Direção Chamada partição 8 - Abrir/Fechar
350 [001]	--	Formato receptor 1 do comunicador
350 [002]	--	Formato receptor 2 do comunicador
384	2	Opções Backup Comunicador

### Notificações

As configurações do painel a seguir podem alterar o comportamento das notificações enviadas ao cliente:

Seção	Opção	Descrição
015	4	Se esta opção estiver ATIVADA, as notificações de arme do keyfob não serão associadas a um usuário específico.

#### Definições do painel modificadas automaticamente

Algumas configurações do painel são trocadas automaticamente quando o módulo estiver conectado ao painel de controle. Estas configurações não devem ser alteradas. São elas:

Seção	Opção	Valor	Descrição
015	6	DESLIGAR	O código mestre não pode ser trocado e deve ser DESATIVADO para assegurar que o módulo comunique o código mestre correto.
017	6	DESLIGAR	O horário de verão deve ser desabilitado para assegurar que o horário do painel seja preciso.
019	6	Definir conforme a definição Alarm.com do distribuidor	Ativa modificações do Código Coação de Alarm.com.
024	5	DESLIGAR	O relógio em tempo real deve ser desabilitado para assegurar que o horário do painel seja preciso.
377	Fechamento Oscilador (Manutenção)	010	Fechamento do oscilador para sinais de manutenção tem de ser definido em 010 para certificar que as notificações de problema podem ser enviadas.
377	Falha Retardamento Comunicação CA	Valor aleatório entre 001 e 030	O retardo de comunicação de falha de alimentação CA deve ser ajustado entre 001 e 030 para assegurar que as notificações de falhas de fornecimento de energia sejam recebidas.
377	Retardo da Transmissão do Status de Bateria Fraca do Dispositivo Sem Fio	001	O retardo de transmissão do status de bateria fraca do dispositivo sem fio deve ser ajustado para 001 para assegurar que as notificações para baterias fracas sejam recebidas.
380	1	LIGAR	As comunicações devem ser habilitadas para o módulo comunicar com o painel.
380	2	DESLIGAR	O sistema deverá transmitir recuperações de alarme imediatamente quando a zona for recuperada.
380	5	DESLIGAR	O método das comunicações redundantes tem de estar definido como backup.
382	6	DESLIGAR	O retardo de transmissão de falha de CA deve ser ajustado em minutos.
804 [sensor #]	003	Retardamento cinco minutos [07]	Fechamento tráfego Intenso deve ser definido para cinco minutos para dispositivos que estão sendo usados com Monitoramento de Atividade da Alarm.com. <b>Nota:</b> Esta função pode reduzir a vida da bateria dos sensores PIR sem fio. De maneira a evitar isso, os sensores PIR cabeados podem ser usados em sua substituição.

### Relógio

O módulo TL8803GI-EU ajusta o relógio do painel quando está conectado a Alarm.com e em seguida é atualizado a cada 18 horas. É importante selecionar a zona horária correta do painel no website da Alarm.com, ou o horário do painel não será preciso. Se um sistema for ativado antes que a conta do cliente tenha sido criada, a zona horária será o padrão de acordo com o **horário padrão do Oeste (EUA)**.

## SOLUÇÃO DE PROBLEMAS

### Informações do status do módulo

As informações de status do módulo para verificação e solução do status ou erros de conexão do módulo podem ser encontradas por meio dos menus de Serviços Interativos. Para acessá-los, pressione [\*][8][Código do Instalador][851]. Refira-se à tabela a seguir para determinados estados do módulo.

Estado	Descrição
Inativo	Estado mais comum. O módulo não está atualmente enviando dados e não há nenhum erro.
Roaming	Roaming na rede do parceiro.
Cartão SIM ausente	O cartão SIM não foi instalado.
Modo de Economia de Energia	Alimentação CA desativada.
Registrando...	O módulo está tentando registrar-se na rede HSPA.
Erro de conexão	O módulo está registrado na rede HSPA porém não pode ser conectado a Alarm.com. Entre em contato com o suporte técnico da Alarm.com para maiores informações.
Erro de rádio	Parte do rádio do módulo não está operando corretamente. Ligue/desligue o painel e entre em contato com o suporte técnico da Alarm.com se o problema persistir.
Erro do Servidor	Identifica um erro no servidor. Se isto persistir, a conta pode ter sido configurada incorretamente.
Conectado	Conectado atualmente e transmitindo informações para os servidores da Alarm.com.
Conectando...	No processo de conexão à Alarm.com.
Atualizando...	Atualizando o nível do sinal.

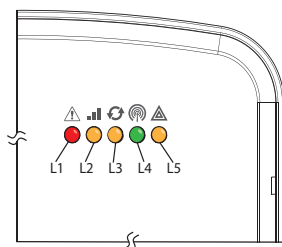
Além disso, algumas informações podem ser recuperadas por meio de pressionamentos prolongados das teclas do teclado. Pressione e mantenha as teclas do painel a seguir por 2 segundos para exibir as informações fornecidas na tela do painel. A maioria das mensagens é exibida durante pelo menos 30 segundos porém podem ser reduzidas pressionando a tecla 0 por 2 segundos.

Teclas de Estatuto	Descrição
Tecla 1	Número de série do módulo 10 dígitos necessário para criar a conta do cliente em Alarm.com.
Tecla 2	Versão do firmware do módulo (por ex., 181a).
Tecla 3	Iniciar o teste de comunicação pelo canal de celular. <b>Importante:</b> Este é um teste necessário para concluir corretamente a instalação.
Tecla 4	Iniciar o teste de comunicação pelo canal de banda larga.
Tecla 5	Nível de força do sinal sem fio e status ou erro do módulo, se houver. O painel irá exibir o nível de sinal em barras (0 a 5) e como um valor numérico (0 a 31) seguido pelo modo de conexão.
Tecla 6	Tensão da bateria como lida pelo módulo, para duas casas decimais e o status da alimentação CA. (exemplo: Bateria: Alimentação de 6,79 V CA OK).
Tecla 7	Use apenas quando receber treinamento da Assistência Técnica Alarm.com.
Tecla 8	Frequência HSPA utilizada pelo módulo: "Alta" = 900MHz, 2100 MHz; "Baixa" = 850 MHz. O painel especificará "3G" ou "2G" dependendo da sua cobertura, porém tentará sempre obter a cobertura 3G.

## LEDs de Solução de Problemas

LEDs de status indicam status da rede e do módulo. A ilustração seguinte mostra a localização dos LEDs de status no módulo TL8803GI.

### LEDs Estado



### Funções LED

LED	Função
1	LED de erros gerais e de celular. Pisca 1 a 8 vezes em um intervalo de 8 segundos para indicar erro específico. Veja seção "LED L1 (vermelho)" para erros e soluções comuns.
2	Erros de banda larga e comunicação do painel. Pisca de 2 a 8 vezes em um intervalo de 8 segundos para indicar um erro específico no canal de banda larga. Também pisca uma vez sempre que módulo se comunica com o painel. Consulte a seção "LED L2 (amarelo)" para saber mais sobre os erros e correções comuns.
3	Comunicação celular - Pisca toda vez que o nível de sinal de celular é verificado e quando pacotes são trocados com a Alarm.com
4	Nível de intensidade do sinal de celular - pisca de 0 a 5 vezes para indicar a intensidade do sinal ou alterna lentamente entre ligado/desligado ao se comunicar com os servidores da Alarm.com
5	LED de status e de erros do Z-Wave. Consulte a seção "LED L5 (amarelo)" para ver os padrões.

### Detalhes LED

#### LED L1 (Vermelho)

O L1 pisca quando há um erro geral ou um erro no canal de celular. O número de flashes indica o número do erro. Se existirem dois ou mais erros ao mesmo tempo, os erros piscarão um após o outro. O LED mantém-se apagado por no mínimo quatro segundos entre os erros.

Número de Flashes	Erro e Solução
1	O módulo não consegue comunicar com o painel. Verifique seção [382], opção [5] está ON. Verifique software do painel é versão 1.1 ou posterior. Verifique os conectores (entre o painel e o comunicador) e ligue e desligue o painel. Se o erro persistir, pode existir um problema com o módulo ou o painel.
2	O cartão SIM não foi instalado. O suporte do cartão SIM pode ser encontrado no módulo. Verifique se o suporte do cartão SIM está firmemente fechado e que está um cartão SIM no suporte.

Número de Flashes	Erro e Solução
3	O módulo está tentando registrar-se na rede HSPA. Se persistir por mais do que alguns minutos, o módulo está tendo problemas a se registrar com a rede HSPA. Verifique L4 para nível do sinal. Se o nível do sinal for menor que 2 “barras”, altere a localização do painel ou use uma opção de antena remota. Se o sinal for bom, o módulo pode estar fazendo o roaming em uma rede HSPA que não coincide com nossos fornecedores HSPA, ou o cartão SIM não foi ativado ainda por que a conta Alarm.com não foi criada corretamente.
4	O módulo está registrado na rede HSPA porém não pode ser conectado a Alarm.com. Desligue o módulo, aguarde um minuto, restaure a alimentação e realize um teste de comunicação. Verifique a intensidade do sinal e tente uma localização diferente para o módulo/antena. Se o problema persistir, contate a Assistência Técnica de Alarm.com.
5	Parte do rádio do módulo não está funcionando corretamente. Se isto persistir por mais de alguns minutos, pode ser necessário substituir o módulo. Este erro é extremamente raro, portanto, verifique se o módulo está piscando 5 vezes.
6	Este é um erro apenas se persistir por mais de um minuto. Caso contrário, é apenas uma indicação que o módulo está corrigindo uma condição não freqüente no que respeita à comunicação com a rede HSPA.
7	O módulo não é compatível com este tipo de painel. Insira, por favor, um módulo compatível.
8	Se isto persistir, a conta pode ter sido configurada incorretamente. Contate a Assistência Técnica de Alarm.com. Será pedido para verificar o número de série do módulo.

## LED L2 (Amarelo)

O LED L2 indica um erro no canal de banda larga e também pisca em todas as comunicações entre o módulo e o painel quando não houver condições de erro. Padrão normal invoca uma série de intermitências rápidas em cada dois segundos em modo Inativo ou quatro segundos em modo Economia Energia.

Número de Flashes	Erro e Solução
1	Pisca para cada comunicação com o painel, exceto quando o LED está indicando um erro de banda larga. Esse é um comportamento normal.
2	O módulo não pôde estabelecer uma conexão com o roteador. Verifique a conexão física/cabeamento com o roteador. Verifique se o filtro de MAC está desabilitado no roteador ou adicione o MAC do módulo para a lista permitida de endereços MAC no roteador. Verifique se o DHCP está habilitado no roteador.
3	O módulo não pôde estabelecer uma conexão com a internet. Verifique se outros dispositivos na mesma rede conseguem se conectar; se a alimentação CA do painel está ligada; e se não há algum firewall especial ou ajustes de gerenciamento de rede especiais em execução no roteador.
4	O módulo não pôde estabelecer uma comunicação com a Alarm.com. Contate a Assistência Técnica de Alarm.com.
6	O back-end da Alarm.com não pôde acessar o módulo por causa de um erro com o firewall local bloqueando os sinais do acesso ao módulo.

## LED L3 (Amarelo)

L3 pisca com cada comunicação entre o módulo e sua unidade de rádio em modo Inativo e, com cada comunicação com Alarm.com em modo Conectado. Em modo Economia Energia, este LED pisca simultaneamente com LED 2.

## LED L4 (Verde)

L4 indica o nível de sinal HSPA como um número de intermitências (0 a 5 barras). O número de barras pode não corresponder às barras mostradas em seu celular. É obtido um nível de 5 barras apenas em condições de sinal mais forte.

O nível do sinal é atualizado cada dez segundos se flutuar ou, cada 30 segundos se for razoavelmente estável. Se L4 não piscar indica um dos seguintes estados:

- O módulo está em modo Economia Energia
- O módulo acabou de arrancar
- Não há cobertura HSPA na área. Alarm.com recomenda um nível de sinal constante de 2 ou superior para funcionamento correto do módulo

**Nota:** Em modo Conectado, o LED alterna em on e off.

## LED L5 (Amarelo)

O LED L5 indica o estado e os erros do Z-Wave. Veja a tabela seguinte para mais informação.

Número de Flashes	Status ou erro do dispositivo
1	Nó adicionado/removido com sucesso (últimos 60 segundos)
2	Modo de exclusão
3	Falha na tentativa adicionar nó (últimos 60 segundos), pois o dispositivo já está na rede
4	Modo de adição
5	Modo de replicação
6	Memoriza erro modo (dura 60 segundos)
7	Não há informações de nó
8	Não há outros nós na rede

## Vários Estados do Módulo (Modos)

Há quatro estados ou modos do módulo conforme a seguir descrito:

Modo	Descrição
Inativo	Alimentação CA está OK e o módulo não está de momento comunicando com Alarm.com. L1 - Pisca para erros gerais ou de celular, se houver L2 - Pisca para erros de banda larga, se houver, e para a comunicação com o painel L3 - Comunicação com unidade de rádio L4 - Nível do sinal (0 a 5 barras) L5 - Pisca para o estado ou erros de Z-Wave, se houver
Economia Energia	O módulo acabou de arrancar, alimentação CA está interrompida, ou alimentação CA foi recentemente restaurada e a bateria está recarregando. O módulo está totalmente funcional e entra no modo Conectado assim que for necessário enviar o sinal. Pressione e mantenha pressionado a tecla 5 por 2 segundos para mudar o módulo do modo Inativo e atualizar a leitura do nível do sinal. O sistema entrará no modo Inativo cada 2 horas para verificar quaisquer mensagens a receber. L1 - Inativo L2 - Comunicação com o painel L3 - Mesmo padrão de intermitência que L2 L4 - Inativo L5 - Inativo



Modo	Descrição
Conectado	O módulo está de momento comunicando com Alarm.com. O módulo mantém-se em modo Conectado por no mínimo quatro minutos depois de reportar um evento para Alarm.com, exceto a Tecla 5 for pressionada e mantida pressionada por 10 segundos, o que fará com que o módulo retorne ao modo Inativo. L1 - Pisca para erros gerais ou de celular, se houver L2 - Pisca para erros de banda larga, se houver, e para a comunicação com o painel L3 - Comunicação com Alarm.com L4 - Alterna dois segundos on e, depois dois segundos off L5 - Pisca para o estado ou erros de Z-Wave, se houver
Silêncio	O painel não está conectado à alimentação CA ou há uma falha da alimentação CA e o nível da bateria é fraco. O módulo conectará a Alarm.com para enviar um sinal, mas obterá contrariamente quase nenhuma potência.

**Nota:** Caso o módulo TL8803GI for desligado por um curto período de tempo, podem ser recebidas mensagens em buffer em Alarm.com quando a alimentação do módulo é restaurada.

## Melhoria da força do sinal sem fio

À medida que são realizadas alterações no local de instalação do módulo para melhorar a força do sinal, solicite as leituras do sinal atualizado para verificação das alterações. Para solicitar uma leitura atualizada, pressione e mantenha pressionada a tecla “5” durante 2 segundos. Na imagem seguinte, o rádio tem 3 de 5 barras ou 13/31 e está conectado à rede.

```
Rádio: 123__ 13
Conectado
```

Diretrizes para a força do sinal sem fio otimizado:

- Instale o módulo acima do nível do solo, o mais alto possível dentro da estrutura.
- Instale o módulo próximo ou adjacente a uma parede voltada para fora da estrutura.
- Não instale o módulo dentro de uma estrutura metálica ou próximo a dutos ou objetos metálicos grandes.
- Atualize a antena. Entre em contato com o suporte técnico da DSC para as opções de antena disponíveis.

## Orientar o Cliente através da Configuração Novo Usuário na web.

Esta seção descreve como ajudar seu cliente a configurar a respetiva conta do sítio web e, apenas se aplica a clientes em um plano de serviço interativo com uma conta online. (Ignore este passo para clientes usando o módulo apenas para sinalização sem fio).

Ante do cliente configurar sua conta no sítio web, a conta Alarm.com para esse cliente tem de ser criada no site de distribuidores e, o módulo HSPA associado com a conta tem de ser instalado com sucesso.

Para logon e acessar sua conta, o cliente pode ir para [www.alarm.com](http://www.alarm.com) (ou para o endereço do sítio web individual do distribuidor) para completar o procedimento de configuração de novo assinante.

O cliente necessita fazer o seguinte:

- O logon do sítio web e a senha temporária incluída na carta de boas-vindas de Alarm.com, que é gerada quando a conta foi criada pelo distribuidor
- Uma lista dos respetivos sensores do sistema com as IDs correspondentes da zona
- No mínimo um número de telefone e endereço de e-mail para onde as notificações podem ser enviadas

**Nota:** No mínimo deve ser memorizado um sensor no painel para completar a configuração do novo assinante. Se não forem memorizados todos os sensores e telas sensíveis ao toque antes de ativar o módulo, deve ser solicitada uma lista atualizada do sensor realizando um teste telefônico HSPA ou pedindo uma lista atualizada do equipamento no sítio do distribuidor.

## MENU DE SERVIÇO INTERATIVO

### Menus Interativos

O menu de "Serviços Interativos" pode ser usado para acessar informação sobre o módulo TL8803GI, instalar ou remover os dispositivos Z-Wave e configurar ou solucionar problemas de outras funções interativas.

O menu atingirá o tempo limite após 20 minutos. Refira-se às tabelas seguintes para as opções do menu.

### Programação instalador

Pressione [\*][8][Código do Instalador][851] para abrir o menu Interactive Services (Serviços Interativos)

Menu	Descrição
--Status do Módulo Alarm.com	Role para baixo através das várias informações do módulo Alarm.com
--Rádio	Nível do sinal, status da conexão, status de roaming e erros (se houver)
--Frequência HSPA	Frequência HSPA utilizada pelo módulo
--SN	Número de série do módulo. É necessário criar ou solucionar problemas de uma conta da Alarm.com
--Cartão SIM	Número do cartão SIM. Às vezes será necessário solucionar problemas de uma conta. Não aplicável para rádios CDMA
--Versão	Versão e versão secundário do firmware do módulo TL8803GI. Exemplo: 181a; 181 = versão do firmware do módulo, a = versão secundária
--Avançado – Rede	Use apenas quando receber treinamento da Assistência Técnica Alarm.com.
--Configuração de Z-Wave <sup>1</sup>	Este menu é utilizado para adicionar, remover e solucionar problemas de redes e dispositivos Z-Wave. Para controlar dispositivos Z-Wave por meio do website da Alarm.com e aplicativos para smartphones, você também deverá habilitar os serviços Z-Wave na conta.
--Número de dispositivos Z-Wave <sup>2</sup>	O número total de dispositivos Z-Wave conhecidos atualmente para o módulo
--Adicionar dispositivo Z-Wave <sup>1</sup>	Pressione [*] para ativar o Modo de adição Z-Wave. Certifique-se de que o dispositivo a ser adicionado esteja sendo alimentado e esteja a uma distância de 90 cm a 1,8 m do painel. Refira-se às instruções do fabricante para os botões a serem pressionados para o registro de dispositivos.
--Remova o dispositivo Z-Wave <sup>1</sup>	Pressione [*] para remover um dispositivo Z-Wave existente, ou para "reinicializar" um dispositivo Z-Wave previamente memorizado em uma rede Z-Wave diferente. Dispositivos previamente registrados deverão ser reinicializados antes que possam ser registrados no módulo.
--Identificação Z-Wave Home <sup>1</sup>	Pressione [*] para pesquisar a Identificação Home da rede Z-Wave. Se a Identificação for 0, verifique se o módulo está se comunicando com a Alarm.com e que a conta na Alarm.com esteja configurada para Z-Wave.
--Opção de faixa estendida	Pressione [*] para habilitar/desabilitar a faixa estendida
--Teste de comunicação	Pressione [*] para executar o teste de comunicação ADC

### Funções do Usuário

Pressione [\*][6][Código Máster] para acessar o menu Funções do Usuário. Role para Interactive Services (Serviços interativos)

---

<b>Menu</b>	<b>Descrição</b>
--Status do Módulo Alarm.com	Refira-se à seção Installer Programming (Programação do instalador)
--Rádio	Refira-se à seção Installer Programming (Programação do instalador)
--Frequência HSPA	Refira-se à seção Installer Programming (Programação do instalador)
--SN	Refira-se à seção Installer Programming (Programação do instalador)
--Cartão SIM	Refira-se à seção Installer Programming (Programação do instalador)
--Versão	Refira-se à seção Installer Programming (Programação do instalador)
--Avançado – Rede	Refira-se à seção Installer Programming (Programação do instalador)
--Configuração de Z-Wave <sup>1</sup>	Refira-se à seção Installer Programming (Programação do instalador)
--Número de dispositivos Z-Wave <sup>1</sup>	Refira-se à seção Installer Programming (Programação do instalador)
--Adicionar dispositivo Z-Wave <sup>1</sup>	Refira-se à seção Installer Programming (Programação do instalador)
--Remova o dispositivo Z-Wave <sup>1</sup>	Refira-se à seção Installer Programming (Programação do instalador)
--Identificação Z-Wave Home <sup>1</sup>	Refira-se à seção Installer Programming (Programação do instalador)
--Teste de Comunicação	Refira-se à seção Installer Programming (Programação do instalador)

<sup>1</sup> Refira-se às instruções de instalação e os guias sobre Automação Residencial e no site de distribuidores da Alarm.com para maiores informações sobre o registro e solução de problemas relacionados a Z-Wave.

## Garantia Limitada

A Digital Security Controls garante ao comprador original que, por um período de doze meses a partir da data de compra, o produto deverá estar livre de defeitos de materiais e de mão-de-obra sob utilização normal. Durante o período de garantia, a Digital Security Controls irá, por opção sua, reparar ou substituir qualquer produto defeituoso mediante devolução do produto à sua fábrica, sem nenhum custo de mão-de-obra e materiais. Qualquer substituição e/ou partes reparadas são garantidas pelo tempo remanescente da garantia original ou noventa (90) dias, qual durar mais. O proprietário original deve notificar prontamente a Digital Security Controls, por escrito, que há defeito no material ou na mão-de-obra; tal notificação escrita deverá ser recebida, em todos os eventos, antes da expiração do período de garantia. Não existe qualquer garantia do software w todos os produtos do software são vendidos como licença do usuário conforme os termos do acordo de licença do software incluído com o produto. O Cliente assume toda a responsabilidade da seleção, instalação, funcionamento e manutenção de quaisquer produtos comprados à DSC. Os produtos personalizados são apenas garantidos na extensão que não funcionam depois da entrega. Nesses casos, a DSC pode substituir ou creditar conforme seu critério.

## Garantia Internacional

A garantia para clientes internacionais é a mesma como para qualquer cliente dentro do Canadá e dos Estados Unidos, com a exceção que a Digital Security Controls não deverá ser responsável por quaisquer despesas de clientes, taxas ou VAT que possam ser devidas.

## Procedimento de Garantia

Para obter serviço sob esta garantia, favor devolver o(s) item(ns) em questão ao ponto de venda. Todos os distribuidores e revendedores autorizados têm um programa de garantia. Qualquer pessoa que devolve bens à Digital Security Controls deve, primeiro, obter um número de autorização. A Digital Security Controls não aceitará nenhuma remessa que não tenha tido uma autorização prévia.

## Condições que Invalidam a Garantia

Esta garantia aplica-se somente aos defeitos em partes e de mão-de-obra relativas à utilização normal. Ela não cobre:

- danos decorrentes de transporte ou manuseio;
- danos causados por desastre, tais como incêndio, inundações, ventos, terremotos ou relâmpagos;
- danos devido a causas fora do controle da Digital Security Controls, tais como tensão excessiva, choque mecânico ou danos com água;
- danos causados por adaptações, alterações, modificações não autorizadas ou objetos estranhos;
- danos causados por periféricos (a menos que tais periféricos sejam fornecidos pela DSC);
- defeitos causados por falha em proporcionar um ambiente adequado de instalação para os produtos;
- danos causados por uso de produtos para objetivos diferentes daqueles para os quais ele foi projetado;
- danos por manutenção inadequada;
- danos que surgem de qualquer outro abuso, mau trato ou aplicação indevida dos produtos.

## Itens não cobertos por garantia

Adicionalmente aos itens que anulam a Garantia, os seguintes itens não são incluídos na Garantia: (i) custo de transporte para centro de reparação; (ii) produtos que não são identificados com a etiqueta de produto DSC, o número de lote o número de série; (iii) produtos desmontados ou reparados de uma maneira que afecta prejudicialmente o desempenho ou impedem uma verificação adequada

ou um teste para verificação de qualquer reivindicação de garantia. Os cartões ou etiquetas de acesso devolvidos para substituição conforme a garantia serão creditados ou substituídos conforme critério da DSC. Os produtos não cobertos por esta garantia, ou outros fora de garantia devido à antiguidade, uso incorreto ou danos devem ser avaliados e deve ser fornecido um orçamento de reparação. Não será realizado qualquer trabalho de reparação até ser recebida uma ordem de compra do Cliente e um número de Autorização de Retorno da Mercadoria (RMA) emitida pelo Serviço de Atendimento ao Cliente da DSC.

A responsabilidade da Digital Security Controls por falha em reparar o produto sob esta garantia após um número razoável de tentativas será limitada a uma substituição do produto, como a única solução por violação da garantia. Sob circunstância alguma a Digital Security Controls será responsável por quaisquer danos especiais, incidentais ou consequenciais baseados na violação da garantia, violação do contrato, negligência, responsabilidade estrita ou qualquer outra teoria legal. Tais danos incluem, mas não são limitados a, perda de proveitos, perda do produto ou de qualquer equipamento associado, custo de capital, custo do equipamento substituído, recursos ou serviços, tempo parado, tempo do comprador, reclamações de terceiros, incluindo clientes, e prejuízos à propriedade. As leis de algumas jurisdições limitem ou não permitam a declaração dos danos consequenciais. Se as leis de uma determinada jurisdição forem aplicáveis a qualquer reivindicação por ou contra a DSC, as limitações e declarações aqui mencionadas devem na sua extensão máxima ser permitidas por lei. Alguns estados não permitem a exclusão ou limitação de danos acidentais ou consequenciais, assim o acima referido pode não aplicar-se ao seu caso.

## Renúncia das Garantias

**Esta garantia contém a garantia completa e deverá prevalecer sobre toda e qualquer garantia, expressa ou implícita (incluindo todas as garantias implícitas de comercialização ou adaptação para um determinado fim.) e a todas as outras obrigações ou responsabilidades por parte da Digital Security Controls. A Digital Security Controls não assume nem autoriza qualquer outra pessoa a atuar em seu nome para modificar ou alterar esta garantia, nem a assumir por si qualquer outra garantia ou responsabilidade relacionada com este produto.**

**Esta renúncia das garantias e garantia limitada são controladas pelas leis da província de Ontário, Canadá.**

A Digital Security Controls recomenda que o sistema inteiro seja completamente testado regularmente. No entanto, apesar do teste frequente e devido, mas não limitado a, violação criminal ou interrupção elétrica, é possível que este produto falhe ao realizar o planejado.

## Bloqueio do Instalador

Quaisquer produtos devolvidos à DSC, que tiver a opção de Bloqueio do Instalador habilitada e não exibir nenhum outro problema, estarão sujeitos a um custo de serviço.

## Fora das Reparações de Garantia

A Digital Security Controls irá, por opção sua, reparar ou substituir os produtos fora de garantia, os quais forem devolvidos à sua fábrica, de acordo com as seguintes condições. Qualquer pessoa que devolve bens à Digital Security Controls deve, primeiro, obter um número de autorização. A Digital Security Controls não aceitará nenhuma remessa que não tenha tido uma autorização prévia.

Os produtos que a Digital Security Controls determina como sendo reparáveis, serão reparados e devolvidos. Uma taxa estabelecida, a qual a Digital Security Controls predeterminou e que pode ser revisada de tempos em tempos, será cobrada para cada unidade reparada. Os produtos que a Digital Security Controls determina como não sendo reparáveis, serão substituídos pelo produto equivalente mais próximo

disponível naquele momento. O preço de mercado atual do produto de substituição será cobrado para cada unidade de substituição.

## Contrato de Licença de Usuário Final

**IMPORTANTE - LEIA COM ATENÇÃO:** O software DSC, adquirido com ou sem Produtos e Componentes, respeita leis de direitos de autor e é comprado com a aceitação dos seguintes termos de licenciamento: O Contrato de Licença de Usuário Final (“EULA”) é um acordo legal entre o Usuário (empresa, indivíduo ou entidade que adquire o Software ou qualquer Hardware relacionado) e a Digital Security Controls, uma divisão da Tyco Safety Products Canada Ltd. (“DSC”), o fabricante dos sistemas de segurança integrados e o programador do software e quaisquer produtos ou componentes relacionados (“HARDWARE”) adquiridos pelo Usuário.

No caso de estar definido que o software do produto DSC (“PRODUTO SOFTWARE” ou “SOFTWARE”) destina-se a ser acompanhado do HARDWARE, e se verificar que NÃO está incluído um novo HARDWARE, o Usuário não poderá utilizar, copiar ou instalar o PRODUTO SOFTWARE. O PRODUTO DE SOFTWARE inclui o software para computador, e poderá incluir meios associados, materiais impressos e documentação eletrônica ou “online”.

Qualquer software fornecido com o PROGRAMA que esteja associado a um contrato de licença de utilizador final em separado está licenciado a V.Exa. nos termos desse mesmo contrato de licença. Ao instalar, copiar, descarregar, armazenar, aceder, ou outro, utilizando o PRODUTO SOFTWARE, o Usuário concorda incondicionalmente em respeitar os termos deste EULA, mesmo que o EULA seja considerado como uma modificação de quaisquer acordos ou contratos prévios. Se o Usuário não concordar com os termos deste EULA a DSC não irá licenciar o PRODUTO SOFTWARE ao Usuário, e o Usuário não terá direito à sua utilização.

## LICENÇA DO PRODUTO DE SOFTWARE

O PRODUTO DE SOFTWARE está protegido por legislação e tratados internacionais dos direitos autorais, bem como por outras legislações e tratados de propriedade intelectual. O PRODUTO DE SOFTWARE é licenciado, não vendido.

**CONCESSÃO DA LICENÇA** Este CLUF, concede a V.Exa. os seguintes direitos:

**Instalação e Uso do Software** – Para cada licença que V.Exa. adquire, apenas poderá ter uma cópia do PROGRAMA instalado.

**Armazenamento/uso em Rede** – O PROGRAMA não pode ser instalado, acedido, apresentado, executado, partilhado ou utilizado de forma concomitante em ou a partir de diferentes computadores, incluindo estações de trabalho, terminais ou outros dispositivos electrónicos digitais (“Dispositivo”). Em outras palavras, se o Usuário tem várias estações de trabalho, terá de adquirir uma licença para cada estação de trabalho onde o SOFTWARE será utilizado.

**Cópia de Segurança** – V.Exa. poderá efectuar cópias de segurança do PROGRAMA, mas poderá apenas ter uma cópia por cada licença instalada numa determinada altura. O Usuário apenas poderá utilizar a cópia de segurança para finalidades de arquivo. Salvo se expressamente mencionado neste EULA, o Usuário não poderá fazer cópias do PRODUTO DE SOFTWARE, incluindo os materiais impressos que acompanham o SOFTWARE.

## DESCRIÇÃO DE OUTROS DIREITOS E LIMITAÇÕES

**Limitações sobre Engenharia Inversa, Descompilação e Desmontagem** – V.Exa. não poderá fazer engenharia inversa, descompilação ou desmontagem do PROGRAMA, excepção feita à actividade cuja extensão é permitida por lei aplicável, sem oposição a esta limitação. O Usuário não poderá realizar alterações ou

modificações ao Software sem a autorização escrita de um responsável da DSC. O Usuário não poderá remover quaisquer avisos de propriedade, marcas ou etiquetas do Produto de Software. O Usuário irá instituir medidas razoáveis para garantir a conformidade com os termos e condições deste EULA.

**Separação de Componentes** – O PROGRAMA é licenciado como um produto único. As partes que o constituem não podem ser separadas para utilização em mais do que uma unidade de HARDWARE.

**PRODUTO ÚNICO INTEGRADO** – Se V.Exa. adquiriu este SOFTWARE com HARDWARE, então o PROGRAMA é licenciado com o HARDWARE como um produto único integrado. Nesse caso, o PRODUTO DE SOFTWARE só pode ser utilizado com o HARDWARE, como determinado neste EULA.

**Aluguer** – V.Exa. não poderá alugar, ceder ou emprestar o PROGRAMA. O Usuário não pode disponibilizá-lo a outros ou colocá-lo em um servidor ou site da web.

**Transferência do Programa** – V.Exa. poderá transferir todos os seus direitos abrangidos por este CLUF apenas como parte de uma venda ou transferência permanente do HARDWARE, desde que V.Exa. não fique com quaisquer cópias, transfira todo o PROGRAMA (incluindo todos os componentes, meios e materiais impressos, quaisquer upgrades e este CLUF), desde que o receptor concorde com os termos deste CLUF. Se o PRODUTO DE SOFTWARE for uma atualização, qualquer transferência deve incluir todas as versões anteriores do PRODUTO DE SOFTWARE.

**Extinção** – Sem prejuízo a quaisquer outros direitos, a DSC pode terminar este CLUF se V.Exa. falhar no cumprimento dos termos e condições deste CLUF. Se isso acontecer, o Usuário deverá destruir todas as cópias do PRODUTO DE SOFTWARE e todos seus componentes.

**Marcas Registradas** – Este CLUF não concede a V.Exa. quaisquer direitos em relação a quaisquer marcas registradas ou de serviço da DSC ou seus fornecedores.

**DIREITOS DE AUTOR** - Todos os títulos e direitos de propriedade intelectual no e para o PROGRAMA (incluindo, mas não limitando, quaisquer imagens, fotografias e texto incorporado no PROGRAMA), os materiais impressos que o acompanham ou quaisquer cópias do PROGRAMA, são propriedade da DSC ou dos seus fornecedores. O usuário não pode copiar os materiais impressos que acompanham o PRODUTO SOFTWARE. Todos os títulos e direitos de propriedade intelectual no e para o conteúdo que poderá ser acessado através do uso do PRODUTO DE SOFTWARE são propriedade dos respetivos proprietários do conteúdo e podem ser protegidos por direitos autorais aplicáveis ou outras legislações e tratados de propriedade intelectual. Este EULA não confere ao Usuário quaisquer direitos para uso desse conteúdo. A DSC e seus fornecedores reservam todos os direitos não expressamente conferidos ao abrigo deste EULA.

**RESTRICÇÕES À EXPORTAÇÃO** – V.Exa. assume que não exportará ou reexportará o PROGRAMA para qualquer país, indivíduo ou entidade sujeito a restrições de exportação Canadianas.

**LEGISLAÇÃO APLICÁVEL** – Este Acordo de Licença de Software é regido pelas leis da Província de Ontário, Canada.

**ARBITRAGEM** – Todos os conflitos emergentes da relação com este Acordo serão determinados por arbitragem final e mandatória ao abrigo do Arbitration Act, ficando as partes sujeitas à decisão arbitral. O local designado para a arbitragem será Toronto, no Canadá, e a língua da arbitragem será o Inglês.

## GARANTIA LIMITADA

**ISENÇÃO DE GARANTIA** – DSC FORNECE O SOFTWARE “TAL COMO ESTÁ” SEM GARANTIA. A DSC NÃO GARANTE QUE O SOFTWARE IRÁ AO ENCONTRO DE SEUS REQUISITOS OU QUE O FUNCIONAMENTO DO SOFTWARE SEJA ININTERRUPTO OU LIVRE DE ERROS.

**ALTERAÇÕES AO AMBIENTE OPERATIVO** – A DSC não se responsabiliza por problemas causados por alterações às características operativas do HARDWARE, ou por problemas na interação do PRODUTO DO SOFTWARE com SOFTWARE ou HARDWARE não produzido pela DSC.

**LIMITAÇÕES DE RESPONSABILIDADE; A GARANTIA REFLETE A ALOCAÇÃO DE RISCO** – EM QUALQUER CASO, SE ALGUM ESTADO IMPLICAR GARANTIAS OU CONDIÇÕES NÃO MENCIONADAS NESTE ACORDO DE LICENÇA, A RESPONSABILIDADE TOTAL DA DSC NÃO SERÁ SUPERIOR AO VALOR REALMENTE PAGO PELO USUÁRIO PARA LICENCIAR O PRODUTO DO SOFTWARE E CINCO DÓLARES CANADENSES (CAD\$5,00), PORQUE ALGUMAS JURISDIÇÕES NÃO PERMITEM A EXCLUSÃO OU LIMITAÇÃO DE RESPONSABILIDADE PARA DANOS CONSEQUENTES OU ACIDENTAIS, A LIMITAÇÃO ACIMA INDICADA PODERÁ NÃO SE APLICAR AO USUÁRIO.

**ISENÇÃO DE GARANTIAS** – ESTA GARANTIA CONTÉM A GARANTIA COMPLETA E DEVERÁ PREVALECER SOBRE TODA E QUALQUER GARANTIA, EXPRESSA OU IMPLÍCITA (INCLUINDO TODAS AS GARANTIAS IMPLÍCITAS DE COMERCIALIZAÇÃO OU ADAPTAÇÃO PARA UM DETERMINADO FIM) E TODAS AS OUTRAS OBRIGAÇÕES OU RESPONSABILIDADES POR PARTE DA DSC. A DSC NÃO DÁ QUAISQUER OUTRAS GARANTIAS. A DSC NÃO ASSUME NEM AUTORIZA QUALQUER OUTRA PESSOA A ATUAR EM SEU NOME PARA MODIFICAR OU ALTERAR ESTA GARANTIA, NEM A ASSUMIR POR SI (DSC) QUALQUER OUTRA GARANTIA OU RESPONSABILIDADE RELACIONADA COM ESTE PRODUTO SOFTWARE.

**DIREITOS EXCLUSIVOS E LIMITAÇÃO DE GARANTIA** – EM NENHUMA CIRCUNSTÂNCIA SERÁ A DSC RESPONSABILIZADA POR QUAISQUER DANOS ESPECIAIS, ACIDENTAIS, CONSEQUENTES OU INDIRETOS RESULTANTES DE INCUMPRIMENTOS DA GARANTIA, INCUMPRIMENTOS DO CONTRATO, NEGLIGÊNCIA, RESPONSABILIDADE OBJETIVA, OU QUALQUER OUTRA DISPOSIÇÃO JURÍDICA. TAIS DANOS INCLUEM, MAS NÃO SE LIMITAM A, PERDA DE LUCROS, PERDA DO PRODUTO DE SOFTWARE OU QUALQUER EQUIPAMENTO ASSOCIADO, CUSTO DE CAPITAL, CUSTOS COM EQUIPAMENTO DE SUBSTITUIÇÃO, INSTALAÇÕES OU SERVIÇOS, TEMPO DE PARADA, TEMPO DE COMPRA, EXIGÊNCIAS DE TERCEIROS, INCLUINDO CLIENTES, E DANOS MATERIAIS.

A DSC recomenda que todo o sistema seja completamente testado numa base de regularidade. Contudo, apesar dos testes frequentes, e devido a, mas não limitado a, manuseio ilícito ou falha elétrica, é possível que esse PRODUTO DE SOFTWARE possa não funcionar como esperado.

## Informações regulatórias

### Observações sobre a conformidade da instalação para EN50131-1:2006/A1:2009:

O modelo TL8803GI-EU é um SPT de Tipo X – o módulo é uma unidade independente dentro de seu próprio compartimento e é alimentado por um CIE externo compatível ou por uma fonte de alimentação em conformidade com os requisitos da EN50131-6:2008. Esse produto não contém peças de substituição e nem opções de software programáveis que sejam acessíveis (tudo já vem pré-programado). Este produto não requer manutenção específica para continuar operando corretamente.

O módulo TL8803GI-EU se conecta a painéis de controle de alarme DSC compatíveis utilizando a interface serial DSC própria e o

protocolo PC-Link (convertido também para RS-422). O módulo funciona no modo "pass-through" (passar através) e faz o alarme ser reconhecido pelo painel de controle compatível após o recebimento de uma notificação do receptor de alarme compatível.

1. O módulo TL8803GI-EU é monitorado pelo painel de controle e é programado através do menu de programação (\*8 seção [851] no painel de controle. A interface é conectada à saída PC-Link, como mostrado no diagrama incluído neste manual. Não há monitoramento para substituição.
2. Os canais IP e celular são imunes a campos de radiofrequência conduzidos e irradiados com níveis de até 10 V/m, como testado pela norma EN50130-4.
3. O módulo TL8803GI-EU está conforme os níveis de emissão radiada para equipamento Classe B conforme as normas EN61000-6-3/EN55022/CISPR22.
4. O módulo TL8803GI-EU utiliza criptografia AES128 e super-visor da taxa de pulsação para canais de comunicação Celular HSPA 3G e cumprem os níveis de segurança S2 conforme a EN50136-2:2013. Utiliza também autenticação para cada mensagem trocada com o equipamento receptor compatível, em ARC, e está em conformidade com o nível I2 para segurança de informações.
5. O módulo TL8803GI-EU possui um canal de comunicação: o canal de comunicação Celular HSPA 3G que utiliza a rede pública móvel de 900/1800/2100 MHz e um canal Ethernet. Os canais de comunicação podem ser utilizados em modo independente/individual ou em modo de reserva (backup), em conjunto com um sistema de alarme DSC (modelos de painel de controle de alarme DSC compatíveis: HS2128/064/032/016, HS3128/HS3248/HS3032). A configuração ATS suportada é: categoria DP3 personalizada.
6. O módulo TL8803GI-EU foi testado para conformidade com as seguintes normas aplicáveis: EN50131-1:2006/A1:2009, EN50136-1:2012, EN50136-2:2013, EN50131-10:2014 e Configuração ATS: DP3.

Para instalações compatíveis com a EN50131-1:2006/A1:2009, as seguintes opções de programação deverão ser definidas como descrito. Supervisão da taxa de pulsação:

· deve ser ajustada para 180 segundos

NOTA: o receptor compatível na localização ARC deve possuir uma janela de supervisão programada para 180s.

O TL8803GI-EU foi certificado pela ALTER TECHNOLOGY TÜV NORD S.A.U. em conformidade com os requisitos das normas EN50131-1:2006/A1:2009 e EN50131-10:2014 para a Grade 3, Classe II, e da EN50136-2:2013, Configuração DP3.

## DECLARAÇÃO UE DE CONFORMIDADE SIMPLIFICADA

O(a) abaixo assinado(a), Tyco Safety Products Canada Ltd declara que o presente tipo de equipamento de rádio está em conformidade com a Diretiva 2014/53/UE. O texto integral da declaração de conformidade está disponível no seguinte endereço de Internet:

<http://dsc.com/pdf/1609001>

	<b>Bandas de frequências</b>	<b>Potência máxima</b>
Z-wave	868.42 MHz	4 dBm max EIRP
Sensor de imagem	868.3 MHz	10 dBm max EIRP
Rádio celular	850/900/2100 MHz bands	30 dBm max EIRP

### Ponto único de contato na Europa

Tyco Safety Products, Voltaweg 20, 6101 XK Echt, Holanda.

<b>Categoria C Personalizada ATS</b>	<b>Nível</b>
EN50136-1:2012 Anexo D Tabela D.1	D3
EN50136-1:2012 Anexo D Tabela D.2	M3
EN50136-1:2012 Anexo D Tabela D.3	T4
EN50136-1:2012 Anexo D Tabela D.4	A4 (de acordo com a operadora de celular utilizada)
EN50136-1:2012 Anexo D Tabela D.5	S1 (utiliza AES-128 e autenticação/informações sequenciais em cada mensagem transmitida para o receptor SG)
EN50136-1:2012 Anexo D Tabela D.6	I1 (utiliza criptografia AES-128)
EN50136-1:2012 Tabela 1	Utiliza um único canal de comunicação (rede celular)
EN50136-1:2012 Tabela 4	Falha ATS relatada para ARC
EN50136-1:2012 Tabela 5	Falha ATS relatada para AS (painéis de controle DSC compatíveis HS2128/HS2064/HS2032/HS2016)
EN50136-1:2012 Tabela 6	Não há registro de falha de disponibilidade
EN50136-2:2013 Tabela 1	Não é fornecida função de registro
EN50136-2:2013 Tabela 2	Não é fornecida memória para a função de registro
EN50136-2:2013 Tabela 3	Falha ATS relatada para ARC

© 2020 Johnson Controls, Tyco e DSC são marcas registradas da Johnson Controls.

Assistência Técnica: 1-800-387-3630 (Canadá & EUA) ou 905-760-3000

[www.dsc.com](http://www.dsc.com)

As marcas comerciais, logotipos e marcas de serviço exibidas neste documento são registrados nos Estados Unidos e/ou outros países. Qualquer uso inadequado das marcas comerciais é estritamente proibido e a Tyco, vai fazer valer agressivamente seus direitos de propriedade intelectual em toda a extensão da lei, incluindo a prossecução de processo criminal sempre que necessário. Todas as marcas registradas não detidas pela Tyco, são propriedade de seus respetivos proprietários e são usadas com permissão ou permitidas conforme leis aplicáveis.

As ofertas e especificações do equipamento são sujeitas a alteração sem aviso prévio. Os produtos reais podem ser diferentes das fotos. Nem todos os produtos incluem todas as funções. A disponibilidade varia por região; contate seu representante de vendas.



29009889R004