

SensoIRIS MIO40 4 Inputs Module

EN54-18/17

Description

SensoIRIS MIO40 is an addressable module with 4 inputs for monitoring of analogue signals. The module is designed for application in addressable fire alarm systems, supporting TTE communication protocol and has built-in isolator module.

SensoIRIS MIO40 is powered on from the fire panel and can be controlled via the communication protocol.

The module is mounted in a separate small plastic box suitable for wall mounting, with transparent cover for visual inspection.



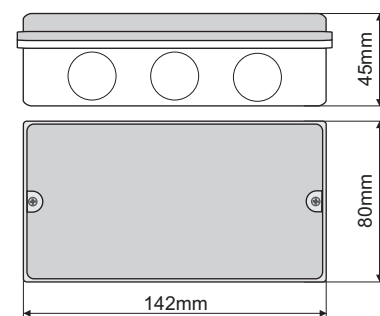
Technical and Environmental Specifications

Operating Voltage Range	15 - 32VDC
Consumption, stand-by mode	300µA@27VDC
Nom. current consumption	330µA@27VDC
Current consumption with 1 LED on	4mA
Current consumption with 2 LEDs on	7mA
Wire Gauge for terminals	0.4mm ² - 2.0mm ²
Operating temperature	-10°C to +60°C
Relative humidity resistance	(93 ± 3)% @ 40°C
Protection	IP40
Weight	~230g
Material (plastic), color	ABS, Gray
Dimensions	142 x 80 x 45mm



1293
DoP No: 042

1293-CPR-0474



Packing Information

- **Single packing** - 1 unit SensoIRIS MIO40, dimensions 145 x 84 x 50 mm.
- **Carton packing box** - 48 units SensoIRIS MIO40, dimensions 510 x 320 x 200 mm.

Compatible Product Range

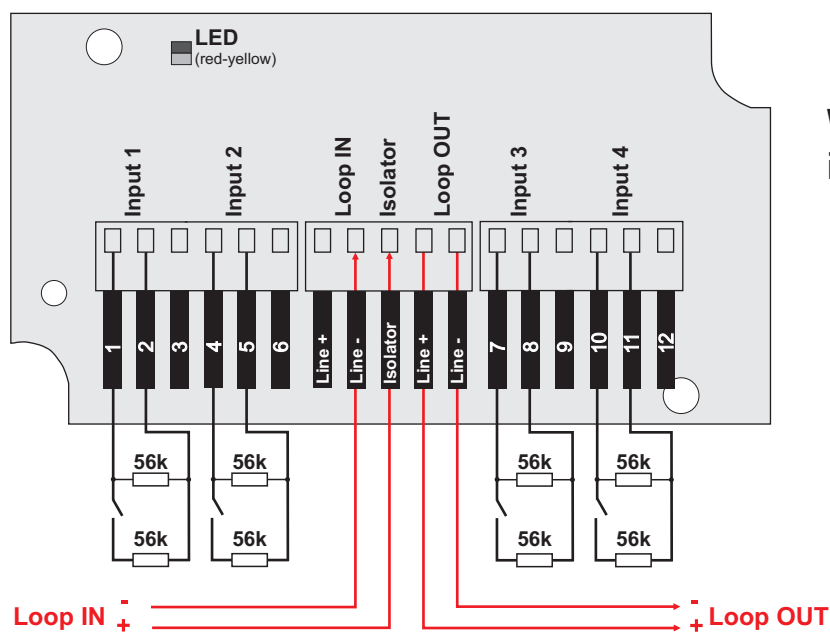
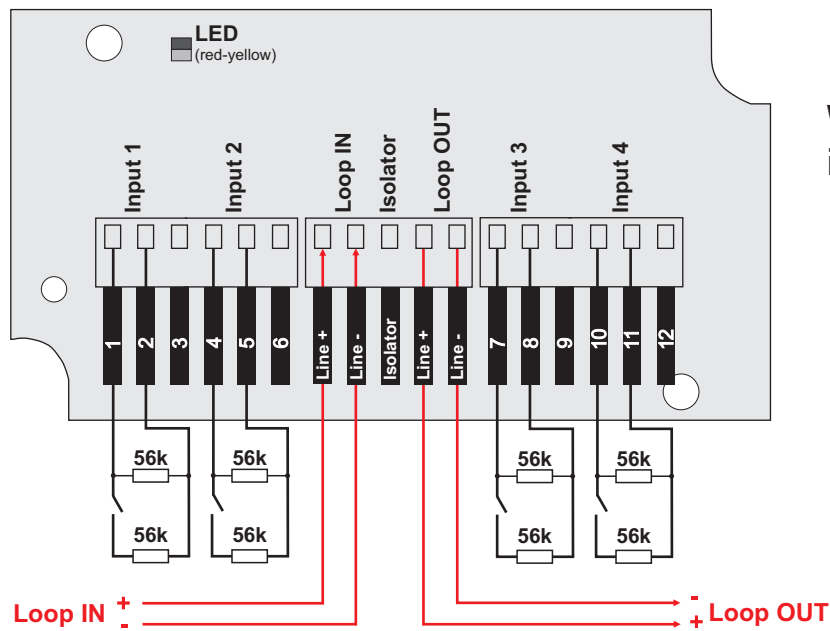
- **IRIS** - Addressable Fire Panel, 4 loops, 96 zones
- **IRIS PRO** - Addressable Fire Panel in metal box, 4 loops, 96 zones
- **SIMPO** - Addressable Fire Panel, 2 loops, 48 zones
- **SensoIRIS Programmer** - Address Programming Tool

Contact Information

SensoIRIS MIO40 4 Inputs Module

EN54-18/17

● Connection Diagrams



● Contact Information