

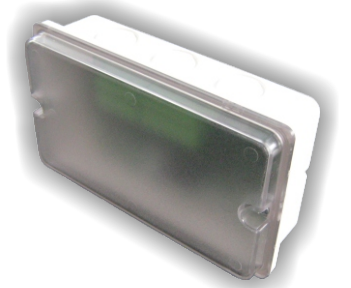
SensoIRIS MC-Z Conventional Zone Module

EN54-18

Description

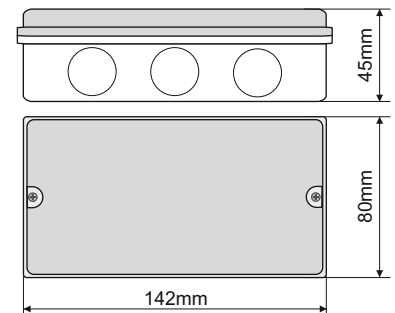
SensoIRIS MC-Z is an addressable conventional zone module, designed for application in addressable fire alarm systems, supporting TTE communication protocol. The module monitors the state of connected conventional fire line and reports for its status to the control panel.

SensoIRIS MC-Z is powered on from the fire panel and can be controlled via the communication protocol.



Technical and Environmental Specifications

Operating Voltage Range	15 - 32VDC
Permissible voltage ripple	3.0Vpp@27VDC
External power supply of the zone	15 - 32VDC
Max. Consumption with external power supply	150µA@27VDC
Max. Current consumption, loop power supply	5.5mA
Current consumption with 1 LED ON	3mA
Max. Current consumption (ALARM Mode):	
- the zone is powered from "+L" terminal	20mA
- the zone is powered from "+H" terminal	50mA
Max. number of conventional detectors in one zone	32
Wire Gauge for terminals	0.4mm ² - 2.0mm ²
Operating temperature	-10°C to +60°C
Relative humidity resistance	(93 ± 3)% @ 40°C
Protection	IP40
Weight	~230g
Material (plastic), color	ABS, White



1293-CPD-0259

Packing Information

- **Single packing** - 1 unit SensoIRIS MC-Z, packed in ESD protected envelope.
- **Carton packing box** - 48 units SensoIRIS MC-Z, dimensions 496 x 305 x 206 mm.

Compatible Product Range

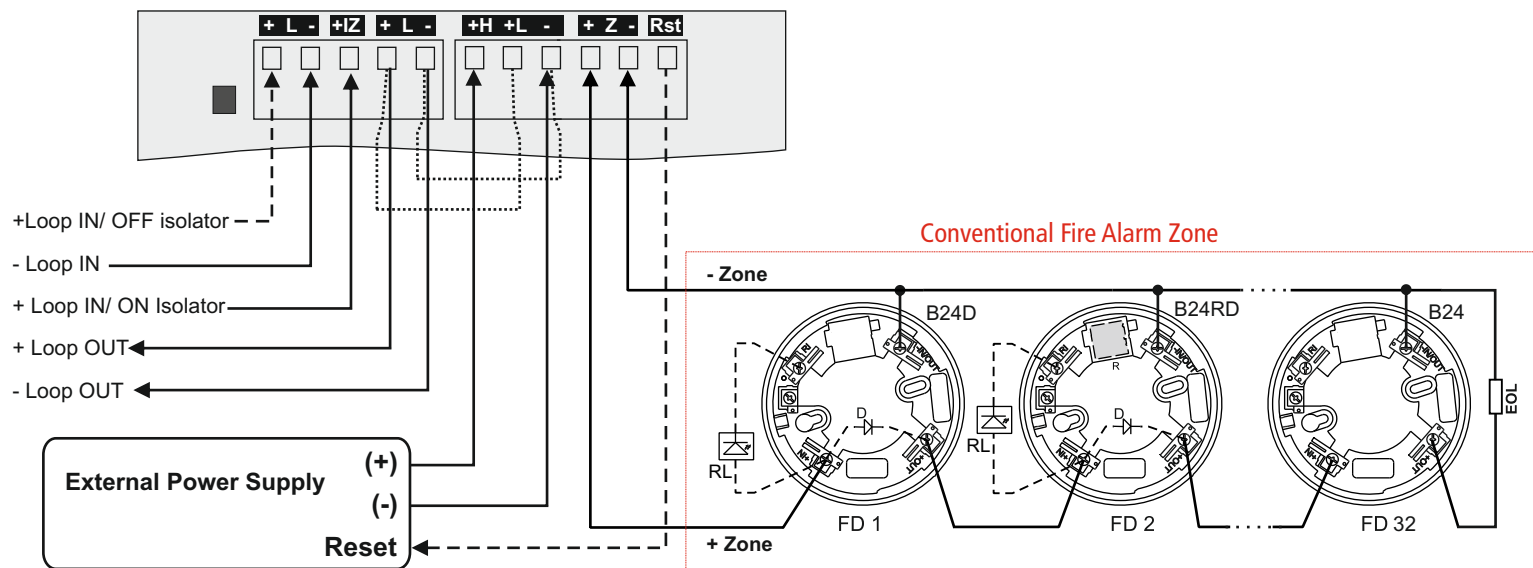
- **IRIS** - Addressable Fire Panel
- **IRIS TTE Loop** - Loop Expander for one loop
- **SensoIRIS Programmer** - Address Programming Tool
- **SensoMAG Conventional Series** - Conventional detectors, modules, sirens, call points, etc.

Contact Information

SensoIRIS MC-Z Conventional Zone Module

EN54-18

● Connection Diagram



Description of the terminals (read from left to right):

- +L (+Loop IN/ OFF Isolator)*** - Connect the positive wire of the input communication line, in cases when the internal isolator module (build-in in SensoIRIS MC-Z) is not used.
- L (-Loop IN)**** - Connect the negative wire of the input communication line, not depend on using the internal isolator.
- +IZ (+Loop IN/ ON Isolator)** - Connect the positive wire of the input communication line, in cases when the internal isolator module (build-in in SensoIRIS MC-Z) is used.
- +L (+Loop OUT)*** - Connect the positive wire of the output communication line.
- L (-Loop OUT)**** - Connect the negative wire of the output communication line.
- +H (Power Zone Hi current)** - Input for power supply of the zone (external unit). The current consumption in the zone is in the range up to 50mA.
- +L (Power Zone Low current)** - Input for power supply of the zone (directly form the communication line). The current consumption in the zone is in the range up to 20mA.
- +Z (+Zone) and -Z (-Zone)** - Inputs for connecting the positive and negative zone wires
- Rst (Reset OUT)** - OC (open collector) type output. Used to Reset of the external power supply of the zone (if the device has this option).

* The terminals **+L (+Loop IN/ OFF Isolator)** and **+L (+Loop OUT)** are connected together.

** The terminals **-L (-Loop IN)** and **-L (-Loop OUT)** are connected together.

● Contact Information