



PRCAB+

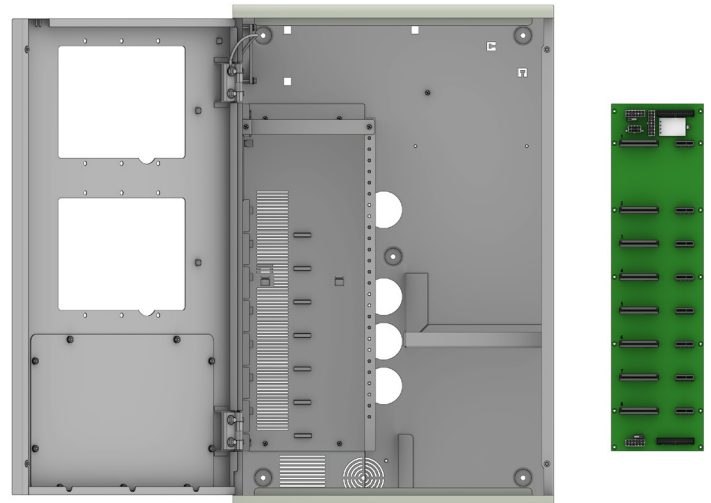
Metal cabinet complete with front plate and CAN DRIVE+ bar

The PRCAB+ cabinets offer a metal casing with a door. The cabinet can be wall mounted and anchored in place using the holes on the back of the enclosure or can be affixed to another cabinet by means of two bolts and the holes on the top and bottom sides of the enclosure.

The front of the cabinet provides two apertures for mounting of two front-plate modules and the grounding connections.

Inside the enclosure is a compartment for mounting up to 8 internal modules, via a connection and power and signal distribution bar (CAN DRIVE+) equipped with suitable connectors for the IFM and IFAM internal modules and for the CAN bus cable for communication with the front-plate modules or with the affixed cabinets. Each cabinet is equipped with an earth bar for the modules and the loop shields.

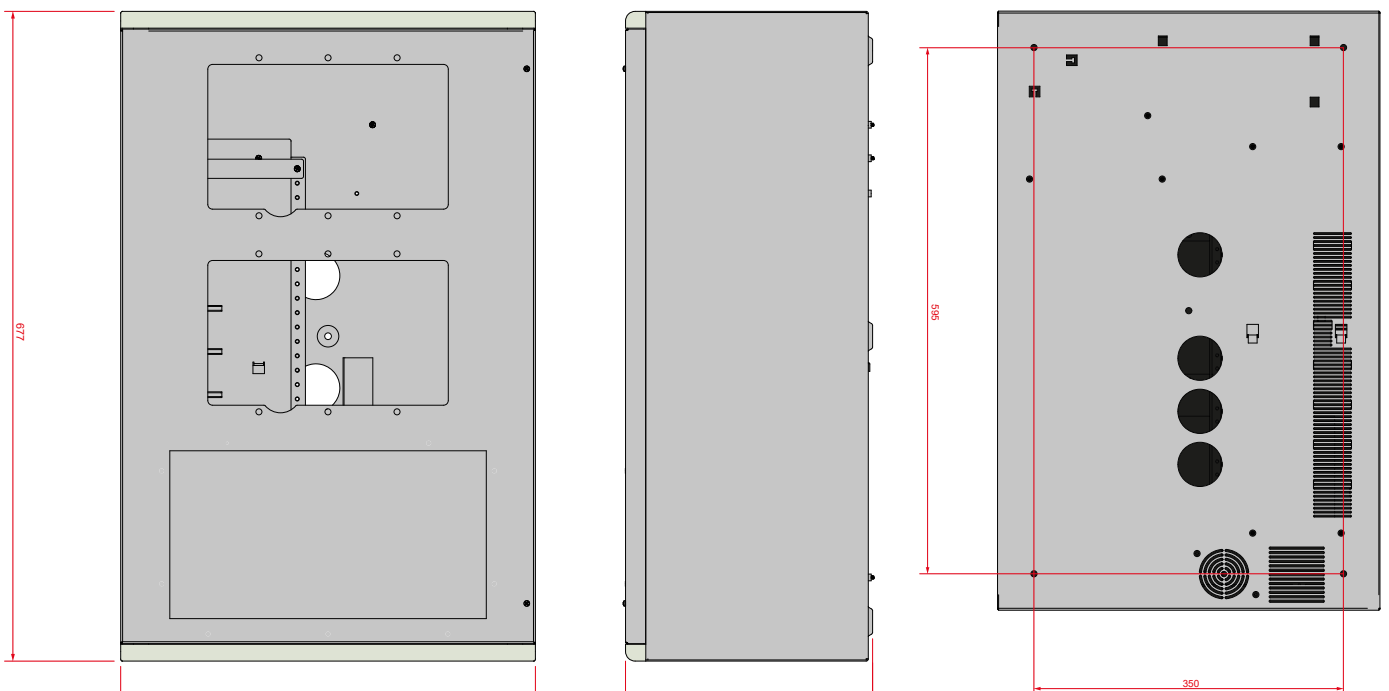
There is also space and a shelf for the placement of two 12V, 17Ah, 24Ah or 38Ah batteries.



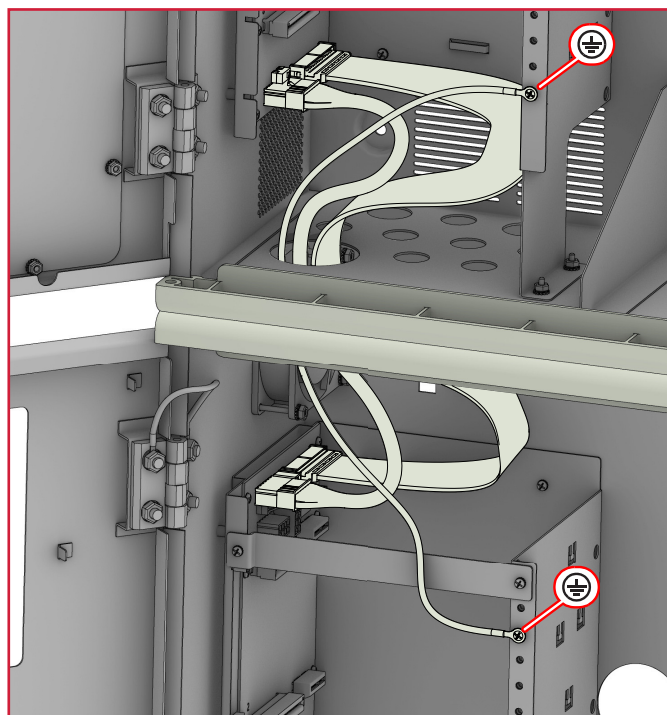
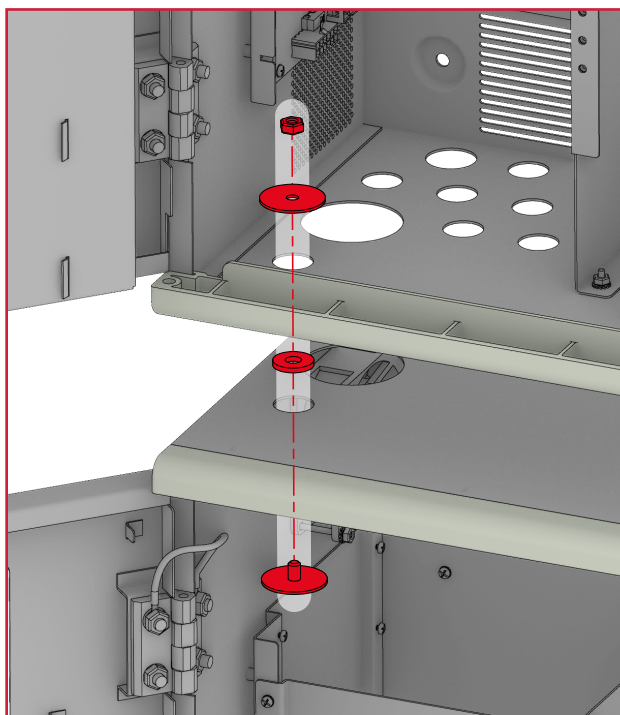
TECHNICAL SPECIFICATIONS

Dimensions	433 x 677 x 258 mm
Weight	17 Kg
Protection grade	IP30
Accepted Batteries	2 x 12V 38Ah, NP38-121 2 x 12 V 24 Ah, NPL24-121 2 x 12 V 17 Ah, NP 17 -12-FR

DIMENSIONS



INSTALLATION



ORDER CODES

- PRCAB+** Cabinet for housing the Previdia modules, grey colour
- PRCAB+R** Cabinet for housing the Previdia modules, red colour
- PRCABRK+** Kit for mounting cabinet to rack, grey colour
- PRCABRK+R** Kit for mounting cabinet to rack, red colour