

# DH-PFB605W-SG

## Wall Mount Bracket



- Aluminum alloy material
- Matched with particular cameras, beautiful and elegant designed



Aesthetic Design



Made of Aluminum



Easy Installation

### Scene

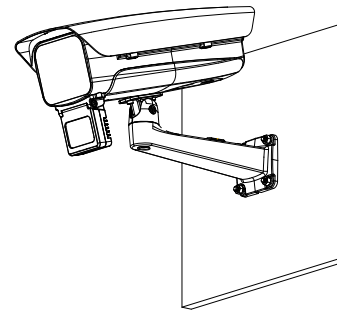
Suitable for camera mounting with operating temperature from  $-40^{\circ}\text{C}$  to  $+60^{\circ}\text{C}$  ( $-40^{\circ}\text{F}$  to  $+140^{\circ}\text{F}$ ) and relative humidity less than 90%.

### Technical Specification

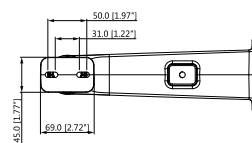
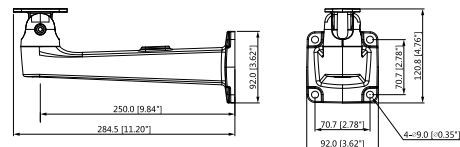
#### Performance

Model	DH-PFB605W-SG
Material	Aluminum alloy
Product Dimensions	284.5 mm × 92.0 mm × 120.8 mm (11.20" × 3.62" × 4.76") (L × W × H)
Net Weight	0.65 kg (1.43 lb)
Load Bearing	5.0 kg (11.02 lb)
Operating Temperature	$-40^{\circ}\text{C}$ to $+60^{\circ}\text{C}$ ( $-40^{\circ}\text{F}$ to $+140^{\circ}\text{F}$ )
Operating Humidity	<90% (RH)
Color	Silver gray
Applicable Camera	Please see "Accessory Selection"

### Installation



### Dimensions (mm/inch)



### Ordering Information

Type	Model	Description
Camera Mount	DH-PFB605W-SG	Wall Mount Bracket