

DH-PFB600W

14" Housing Ceiling Mount Bracket



Features

- Material: aluminum & PC
- Wall mount bracket
- Hidden line design
- Aesthetic design

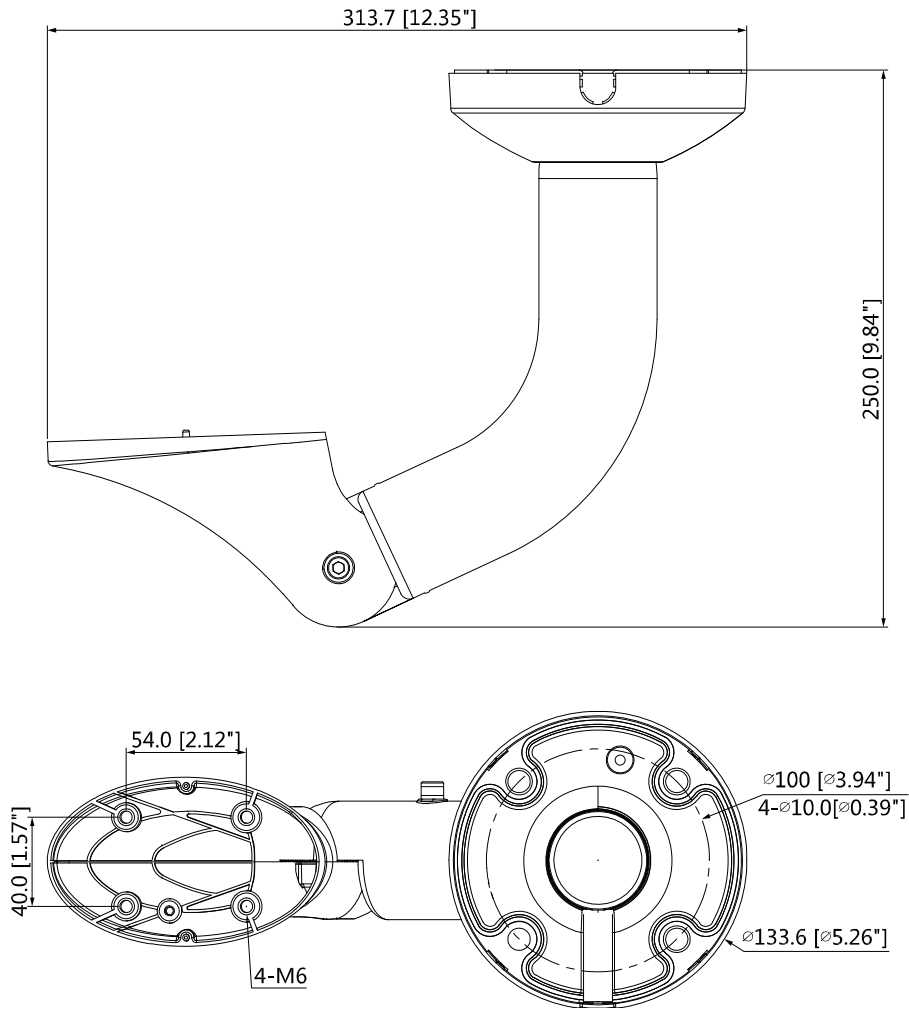
Technical Specifications

Model	DH-PFB600W
General	
Material	Aluminum & PC
Dimension	314mmx250mmxΦ133mm (12.36"x9.84"xΦ5.24")
Load Bearing	3.0kg (8.82lb)
Weight	0.99kg (1.32lb)
Color	White
Operating Temperature	-40°C ~ +60°C (-40°F ~ +140°F)
Humidity	0~90% RH
Applicable Model	Please see "Accessory Selection"

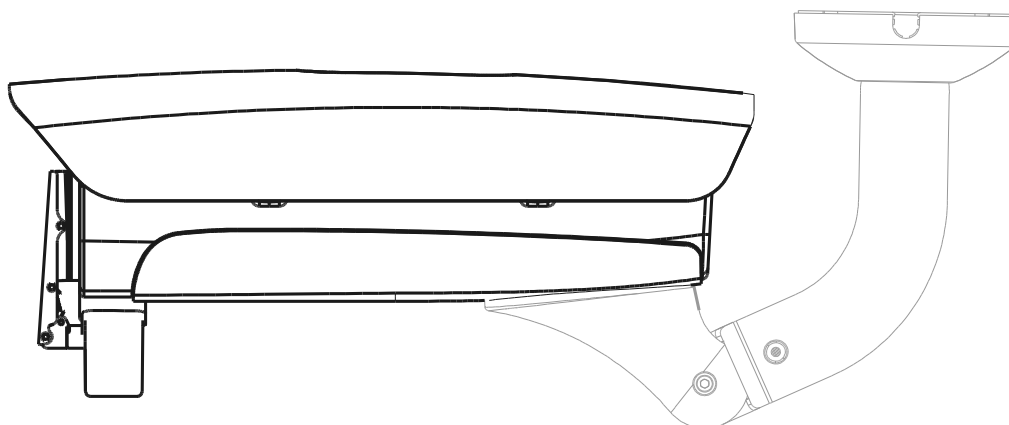
Order Information

Type	Part Number	Description
Camera Mount	DH-PFB600W	Housing ceiling mount bracket
	PFB600W	Housing ceiling mount bracket

Dimensions (mm/inch)



Application



Package Information

- Housing ceiling mount bracket *1