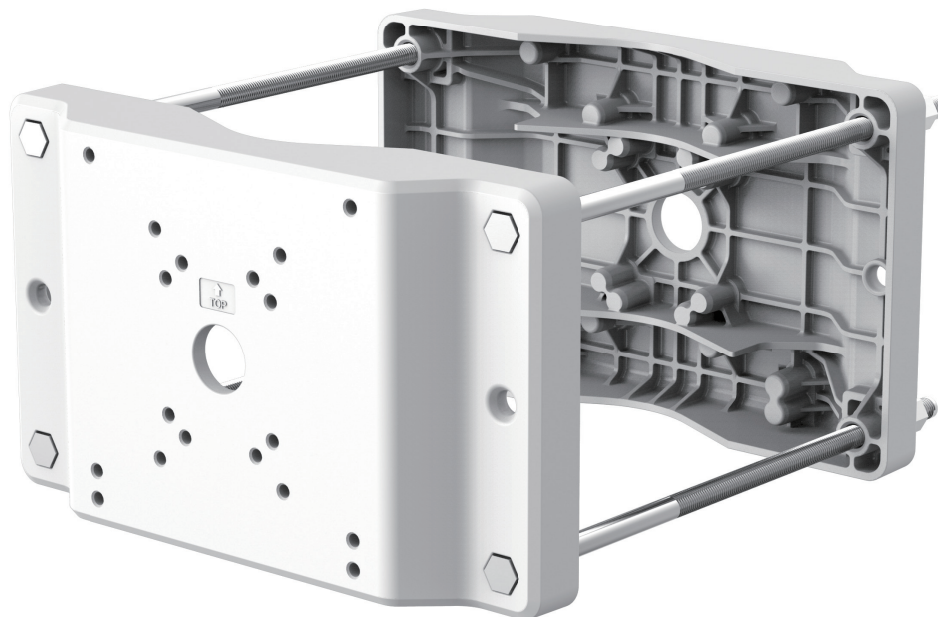


DH-PFA153

Heavy-duty Pole Mount Bracket



Features

- Material: aluminium & stainless
- High load bearing capacity
- Aesthetic design, double-sided installation
- High compatibility with speed domes , PTZ, outdoor surveillance box, etc.

Technical Specification

Model DH-PFA153

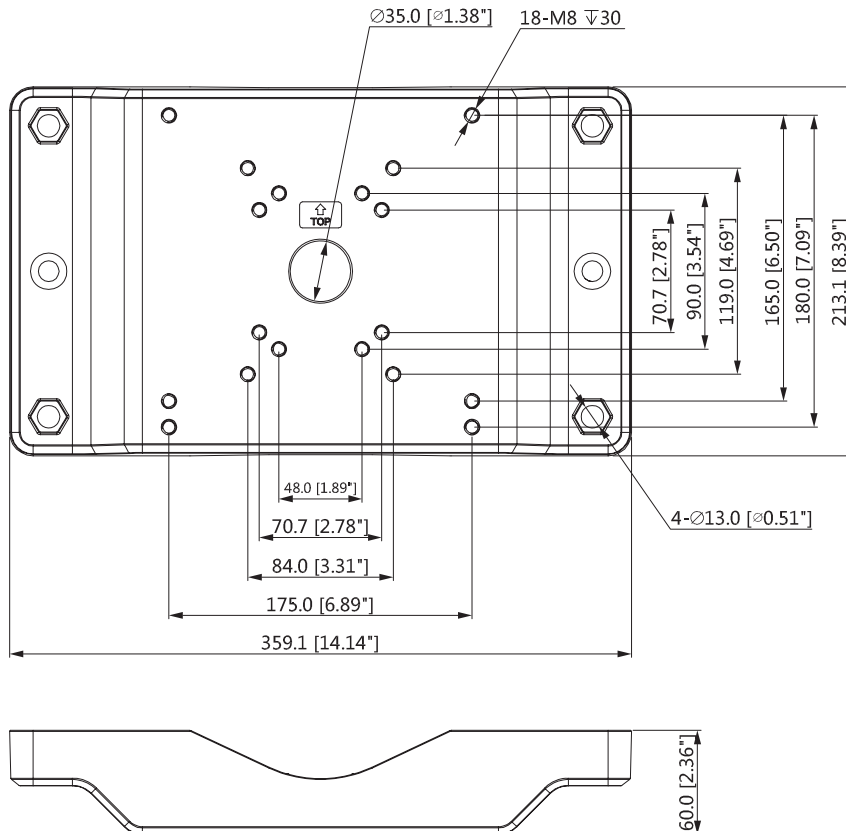
General

| | |
|-----------------------|---|
| Material | Aluminum & stainless |
| Dimension (WxHxD) | 359mmx60mmx213mm (14.14"x2.36"x8.39") |
| Weight | 5kg (11.02lb) |
| Load Bearing | 30kg (66.14lb) |
| Mast Diameter | φ150~φ300mm(φ5.91"~φ11.81") |
| Color | White |
| Operating Temperature | -40 °C ~+60 °C (-40 °F ~+140 °F) |
| Humidity | 0~90% RH |
| Installation | Pole mount |
| Applicable Model | Please see "Accessory Selector" on www.dahuasecurity.com |

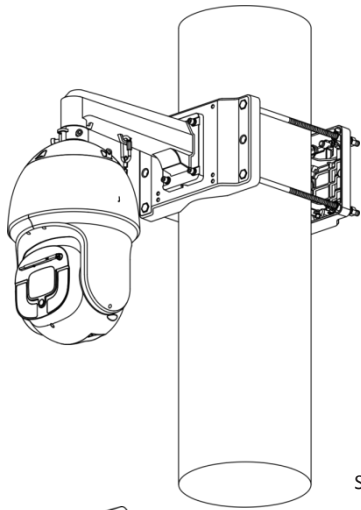
Ordering Information

| Type | Part Number | Description |
|---------------------|-------------|---|
| Camera Mount Series | DH-PFA153 | Heavy-duty pole mount bracket |
| | DH-PFA153A | Corrosion-proof heavy-duty pole mount bracket |

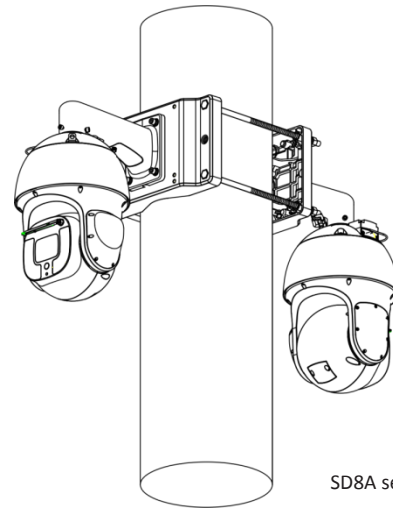
Dimension(mm/inch)



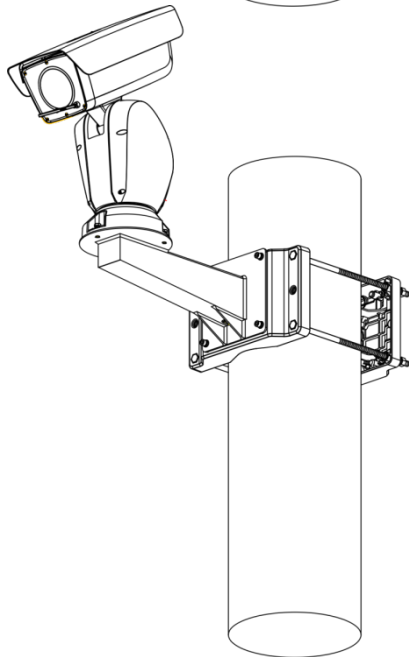
Application



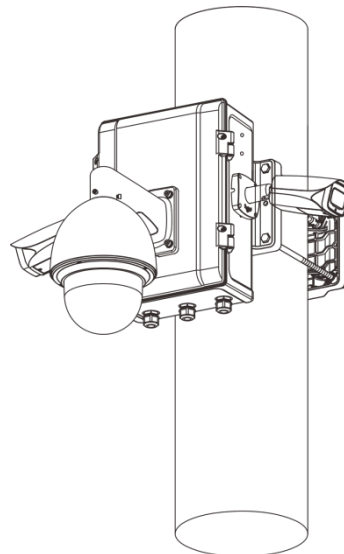
SD10 series PTZ camera



SD8A series PTZ camera



Hybrid pan & tilt camera



outdoor surveillance box

Package Information

- Pole mount bracket body *2
- M12x360 bolt *4
- M8x35 screw *4
- Washer sleeve *4
- Spring washer *4
- ST3x8 screw *2
- M12 nut *8
- Cable tie *1
- Anti-slide sleeve*1
- S6.0 wrench *1
- User manual *1