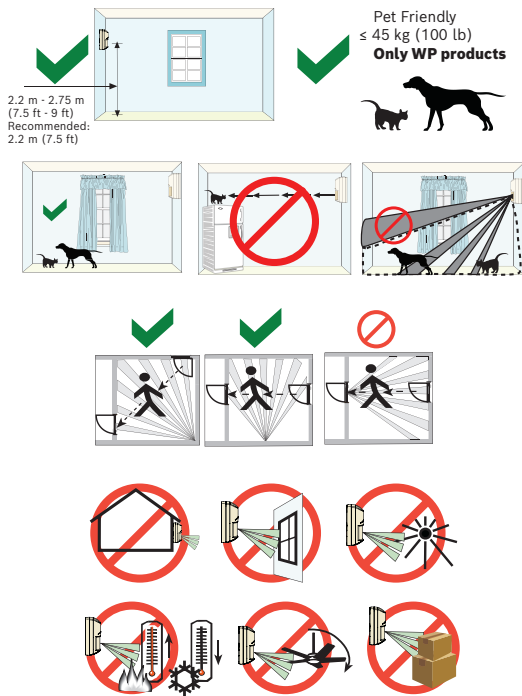
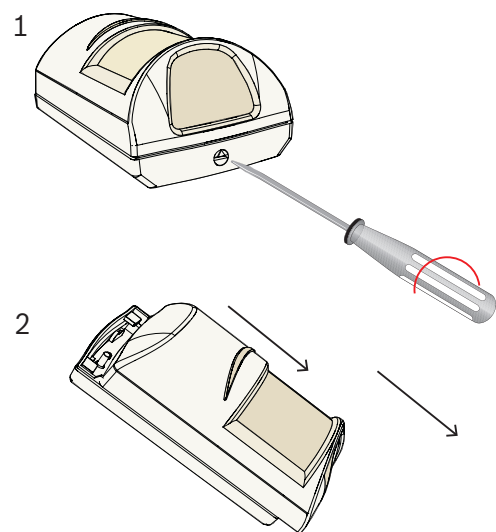


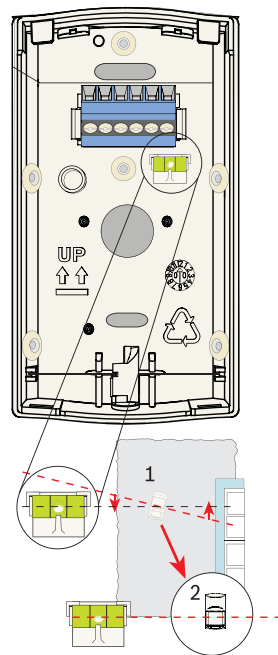
1 |



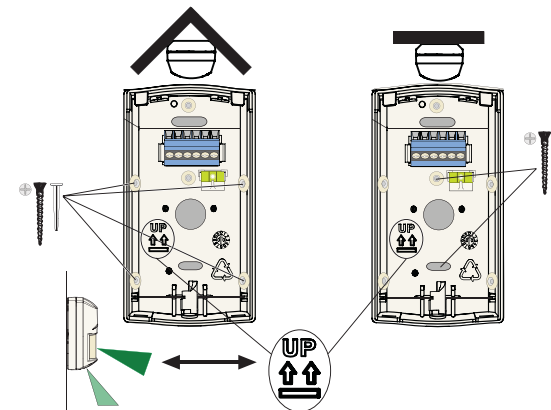
2 |



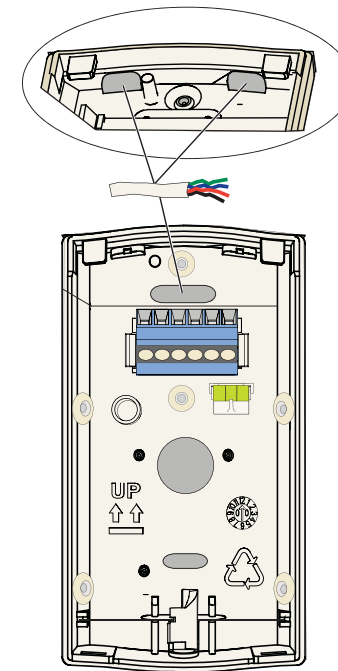
3 |



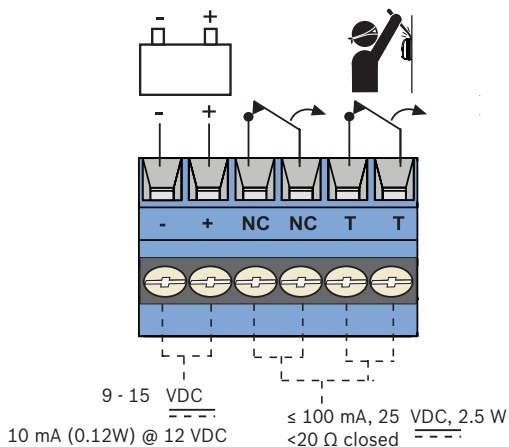
4 |



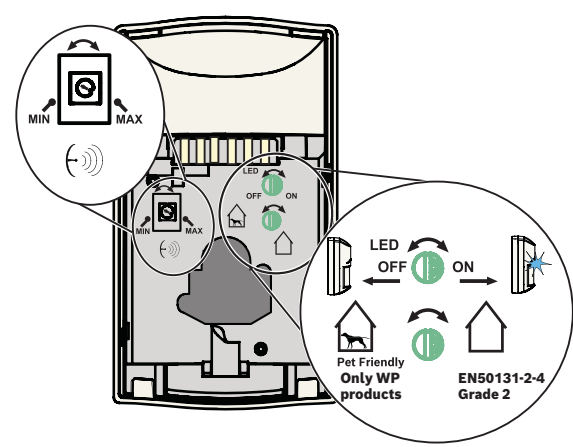
5 |



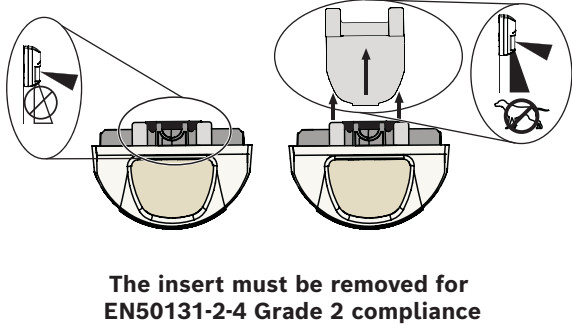
6 |



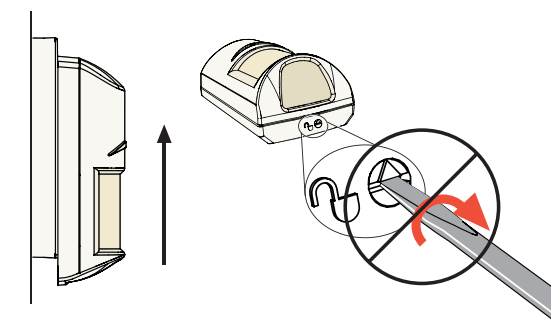
7 |



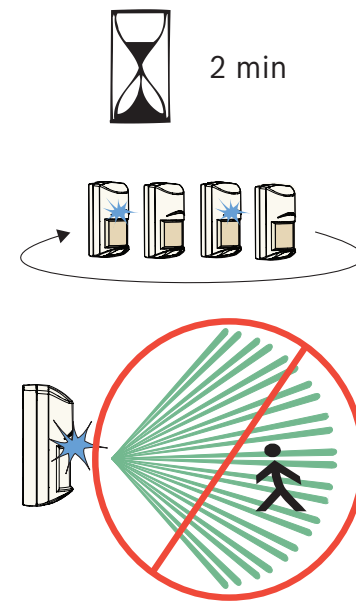
8 |

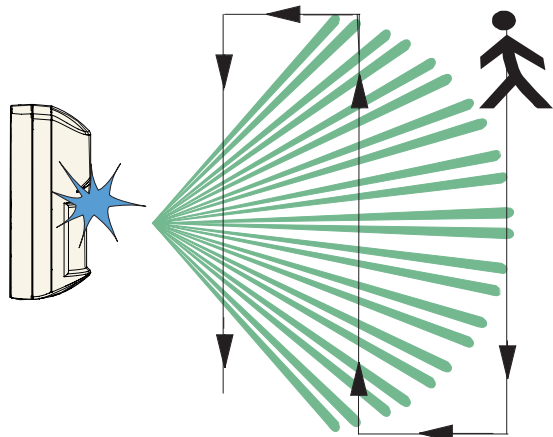


9 |



10 |





<del>AT</del>	<del>DK</del>	<del>HU</del>	<del>LV</del>	<del>RU</del>
<del>BE</del>	<del>EE</del>	<del>IE</del>	<del>MT</del>	<del>SE</del>
<del>BG</del>	<del>EL</del>	<del>IS</del>	<del>NL</del>	<del>SI</del>
<del>CH</del>	<del>ES</del>	<del>IT</del>	<del>NO</del>	<del>SK</del>
<del>CY</del>	<del>FI</del>	<del>LI</del>	<del>PL</del>	<del>FR</del>
<del>CZ</del>	<del>FR</del>	<del>LT</del>	<del>PT</del>	<del>UA</del>
<del>DE</del>	<del>HR</del>	<del>LU</del>	<del>RO</del>	<del>UK</del>



10.570 to 10.610 GHz  
< 20 mW

ISC-BDL2-WP12HE  
ISC-BDL2-W12HE

<del>AT</del>	<del>DK</del>	<del>HU</del>	<del>LV</del>	<del>RU</del>
<del>BE</del>	<del>EE</del>	<del>IE</del>	<del>MT</del>	<del>SE</del>
<del>BG</del>	<del>EL</del>	<del>IS</del>	<del>NL</del>	<del>SI</del>
<del>CH</del>	<del>ES</del>	<del>IT</del>	<del>NO</del>	<del>SK</del>
<del>CY</del>	<del>FI</del>	<del>LI</del>	<del>PL</del>	<del>FR</del>
<del>CZ</del>	<del>FR</del>	<del>LT</del>	<del>PT</del>	<del>UA</del>
<del>DE</del>	<del>HR</del>	<del>LU</del>	<del>RO</del>	<del>UK</del>

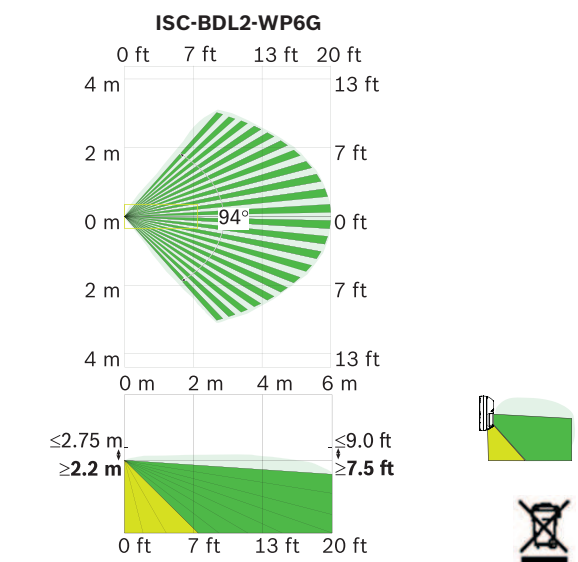
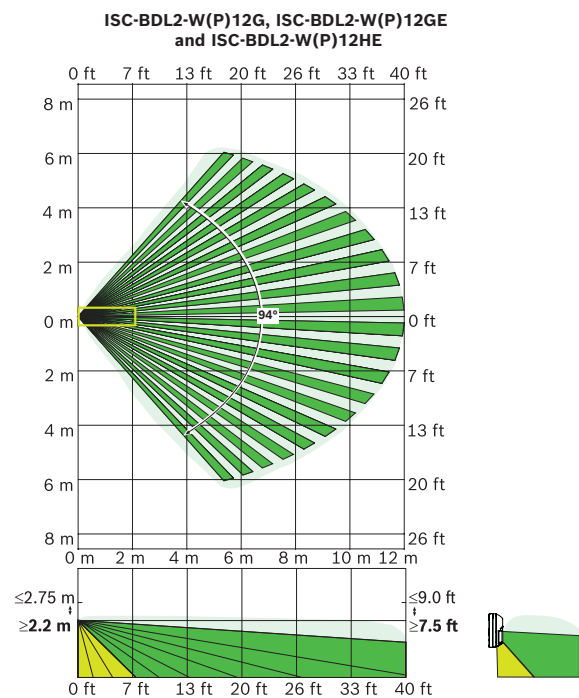


10.510 to 10.580 GHz  
< 25 mW

ISC-BDL2-WP12GE  
ISC-BDL2-W12GE



Este equipamento opera em caráter secundário, isto é, não tem direito à proteção contra interferência prejudicial, mesmo de estações do mesmo tipo e não pode causar interferência a sistemas operando em caráter primário.



**Manufacturing dates**  
For product manufacturing dates, go to <http://www.boschsecurity.com/datecodes/> and refer to the serial number located on the product label.

**Blue Line Gen2 TriTech Motion Detector**

- ISC-BDL2-W12G ISC-BDL2-W12GE
- ISC-BDL2-W12HE ISC-BDL2-WP12G
- ISC-BDL2-WP12GE ISC-BDL2-WP12HE
- ISC-BDL2-WP6G



en Quick Installation Guide

UL/ C-UL	Perform Walk Test at least once a year. Pet immunity (WP models) not tested by UL / C-UL. Use only a Listed Class 2 Power Limited power source. Standby power: The Listed control unit or a listed burglary power supply must provide 4 hours of standby power. Install the unit in accordance with National Electrical Code NFPA 70 and Part 1 of the Canadian Electrical code CSA C22.1.
FCC/IC	This device complies with part 15 of the FCC Rules and Industry Canada license-exempt RSS standard(s). Operation is subject to the following two conditions: (1) this device may not cause interference, and (2) this device must accept any interference, including interference that may cause undesired operation of the device  Le présent appareil est conforme aux CNR d'Industrie Canada applicables aux appareils radio exempts de licence. L'exploitation est autorisée aux deux conditions suivantes : 1) l'appareil ne doit pas produire de brouillage, et (2) l'utilisateur de l'appareil doit accepter tout brouillage radioélectrique subi, même si le brouillage est susceptible d'en compromettre le fonctionnement.

Region	Agency	Certification
US/ CA	UL, C-UL	UL639, C-UL S306-03 LISTING Intrusion Detection Unit, Type: S. (ISC-BDL2-W12G, ISC-BDL2-WP12G, ISC-BDL2-W12H, ISC-BDL2-WP6G)
	FCC	Part 15 Subpart B & C, Class B, FCCID: T3X-BLG2. (ISC-BDL2-W12G, ISC-BDL2-WP12G, ISC-BDL2-WP6G)
	IC	RSS210 1249A-BLG2 (ISC-BDL2-W12G, ISC-BDL2-WP12G, ISC-BDL2-WP6G)
EU	CE	CE - 2014/53/EU (RED), 2011/65/EU and 2015/863 (RoHS) (ISC-BDL2-W12GE, ISC-BDL2-WP12GE, ISC-BDL2-W12HE, ISC-BDL2-WP12HE)
	EN	NF&A2P - EN 50131-2-4 Grade 2 (ISC-BDL2-W12GE, ISC-BDL2-WP12GE, ISC-BDL2-W12HE, ISC-BDL2-WP12HE) EN 50130-5, Environmental Class I (ISC-BDL2-W12HE, ISC-BDL2-WP12HE) EN 50130-5, Environmental Class II (ISC-BDL2-W12GE, ISC-BDL2-WP12GE) EN60529, EN62262: IP30 / IK04

FR	AFNOR & CNPP 	EN50131-2-4 Grade 2, NF324-H58 + RTC 50131-2-4 ISC-BDL2-W12HE - Certificate # 2820200003A1 ISC-BDL2-WP12HE - Certificate # 2820200003B1 NF (AFNOR): <a href="http://www.marque-nf.com">www.marque-nf.com</a> A2P (CNPP): <a href="http://www.cnpp.com">www.cnpp.com</a> Autosurveillance à l'ouverture Immunité champ magnétique. Test sans masque de vision vertical et sans immunité aux animaux
BR	ANATEL	Resolution No. 242 (ISC-BDL2-W12G, ISC-BDL2-WP12G, ISC-BDL2-WP6G)
CN	CCC	2010031901000323 (ISC-BDL2-WP6G-CHI, ISC-BDL2-WP12G-CHI, ISC-BDL2-CB12G-CHI)

Changes or modifications not expressly approved by Bosch Security Systems B.V. can void the user's authority to operate the equipment

Voltage (operating)	9 to 15 VDC, 9-15 Vcc de 10 mA @ 12 Vcc en veille/en alarme, source limitée en puissance, ondulation résiduelle 1 V.
Current (max)	10 mA
Alarm relay/Tamper	≤100 mA, 25 V
Wiring loops	Ø 1.29 mm to 0.40 mm (16 AWG to 26 AWG) (UL: 22 AWG to 16 AWG)
	G models = - 20°C to + 55°C (- 4°F to + 131°F) GE models = - 10°C to + 55°C HE models = + 5°C to + 40°C UL/ C-UL = 0°C to + 49°C (+32°F to + 120°F)
	0 - 95% Relative humidity non-condensing UL / C-UL: 0 - 85%

**Bosch Security Systems B.V.**  
Torenallee 49  
5617 BA Eindhoven  
The Netherlands  
[www.boschsecurity.com](http://www.boschsecurity.com)  
© Bosch Security Systems B.V., 2019