

DAW-K 130/20 PP

5" 20W WALL OR CEILING MOUNT LOUDSPEAKER

The DAW-K 130/20 PP loudspeaker for voice evacuation systems is a cylindrical loudspeaker particularly suitable for applications in semi-outdoor environments (e.g. underground car parks) but also for indoor installation in places such as hotel lobbies and corridors, it ensures optimum reproduction of music and high speech intelligibility. The mounting bracket included in the package allows adjustment of the device angle once installation is complete. EN54-24 certified.



— TECHNICAL SPECIFICATIONS

Main features

- 5" speaker
- Suitable for 70V or 100V lines
- Equipped with internal transformer for adapting the power parameters
- Wall or ceiling mount
- Internal selector to adjust the output power to 5 / 10 / 15 / 20 W
- White colour
- Ceramic connection terminal
- Thermal protection fuse included
- EN54-24 certified

Electrical specifications

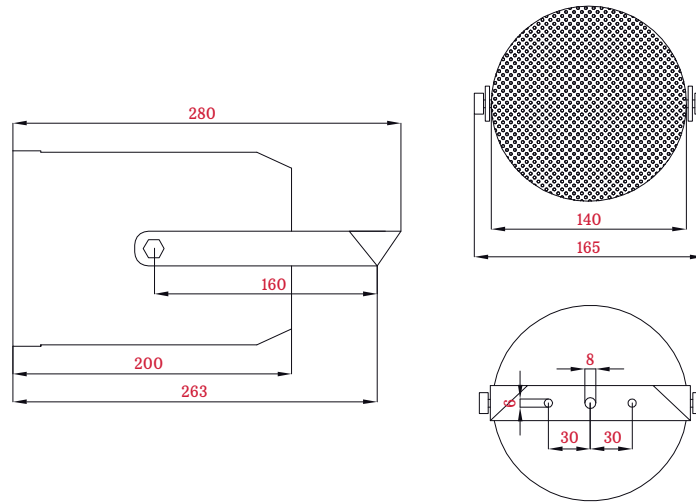
Power (PHC)	5 / 10 / 15 / 20 W (internal selector)
SPL (Sound Pressure Level)	91.3 dB (1W @ 1m)
Frequency response	220 Hz – 18.500 KHz (-10 dB)
Operating voltage	70 – 100 Vrms

Mechanical specifications

IP protection grade	33C
Enclosure material	ABS
Dimensions	Ø 140 x 200 mm
Weight	1.7 Kg
Colour	White RAL 9010
Mounting type	Wall, ceiling



Dimensions



— ORDER CODE

DAW-K 130/20 PP 5" 20W wall or ceiling mount loudspeaker

inim[®]

Centobuchi, via Dei Lavoratori 10
63076, Monteprandone (AP), ITALY
Tel. +39 0735 705007 _ Fax +39 0735 704912

info@inim.biz _ www.inim.biz

Inim distributor's stamp
and signature