

IP EYE-SIGHT SERIES

The new Eye-Sight series serves the security professionals who are seeking for a professional line featuring outstanding image quality, full connectivity and enhanced video analytics functions based on ARTIFICIAL INTELLIGENCE.



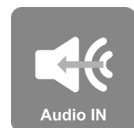
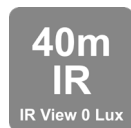
DAI-380IPE-MVF

40M IR 8MP MOTORIZED LENS ANTI VANDAL DOME CAMERA

Equipped with a 2.8-12mm motorized lens and a protective dome, This 8MP camera is designed for medium distance surveillance (up to 40m) in both indoor and outdoor scenarios.

Designed to monitor high-security areas (such as banks, hotels or chain stores) and to capture crimes in the act, the camera features vandal-proof IK10 protection, which makes it extremely hard to sabotage.

The camera offers broad possibilities for Analytics, from Face Detection all the way to the outstanding DDA Analytics (Detect, Distinguish, Alert) which has the ability to perform object recognition and object counting. With a various of detection rules and triggers, DAI-380IPE-MVF camera will help to put an end to false alarms.



MAIN FEATURES

- 8MP
- 3840x2160 Resolution
- 2.8-12mm Motorized Vari-Focal (96°- 32°)
- 3D-DNR
- IP67, Ik10
- 2 Way-Audio
- Alarm in + Out

ANALYTICS

- General Analytics: Camera Tampering
- AI (Object Recognition): Humans, 2/4 wheels vehicles
DDA Sterile Area
DDA Line Crossing
DDA Object Counting
- AI (Face Detection): 10 Faces per frame



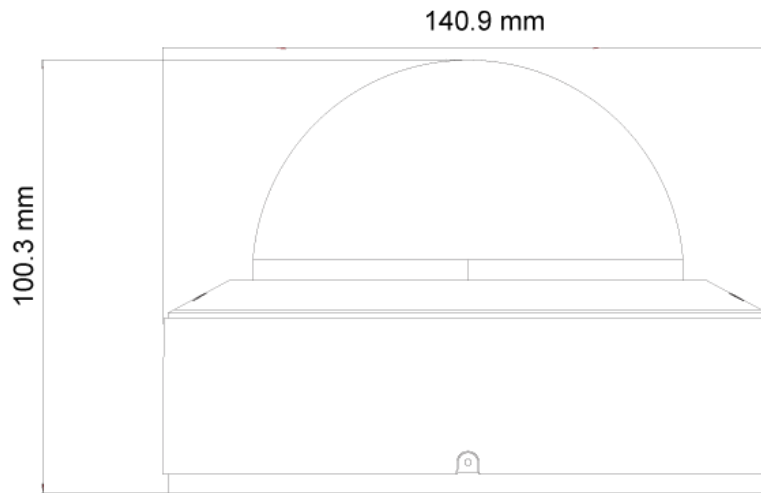
SPECIFICATIONS

| | |
|----------------------|---|
| Image Sensor | 1/2.8" CMOS (16:9) |
| Effective Pixels | 3840x2160 |
| Electronic Shutter | 1/3s ~ 1/10000s |
| Frame Rate | "8MP @ 1-20FPS, 6MP @ 1-20FPS, 5MP @ 1-25/30, 4MP @ 1-25/30, 2MP 1-25/30 in normal mode 1-50/60FPS in HFR Mode****" |
| Day & Night | ICR |
| Min. Illumination | 0.015 lux (@F1.4, AGC ON) 0 lux with IR on |
| Audio compression | G.711A/G.711U |
| Communication | Two-way Audio |
| Image Settings | AWB, AGC Adjustable, Exposure Mode (Auto) Sharpness, Saturation, Brightness & Contrast Adjustable |
| Image Enhancement | True WDR**** (120dB), BLC, HLC, ROI |
| Noise Reduction | 3D-DNR |
| Image Orientation | Mirror/Flip |
| Privacy Zone | Yes |
| Motion Detection | Yes |
| Analytics | General Analytics: Camera Tampering AI (Object Recognition): DDA Sterile Area, DDA Line Crossing, DDA Object Counting AI (Face Detection): 10 Faces per frame |
| Video Compression | H.265S/H.264S*, H.265+/H.264+/H.265/H.264, MJPEG** |
| Resolution | 8MP / 6MP / 5MP / 4MP / 2MP / 1MP / D1 / QVGA / CIF |
| Multi-Stream | Master Stream: 8MP(3840x2160) / 6MP(3072x2048) / 5MP(2592x1944) / 4MP(2560x1440) / 2MP(1920x1080) Sub-Stream: 2MP/1MP/D1/CIF/QCIF Third Stream: 1MP/D1/CIF/QCIF (1~30fps) |
| Bit rate | 64Kbps ~ 8Mbps@H.265 / 64Kbps ~ 12Mbps@H.264 |
| Encode Mode | VBR/CBR |
| Image Quality | Five levels under VBR; Free adjustment under CBR |
| IR Distance | 40m (2 High Power IR LED) |
| Lens (Field of View) | 2.8-12mm MVF with Auto Focus (96° - 32°) |

SPECIFICATIONS

| | |
|---------------------|---|
| Iris | DC Iris (@ F1.4) |
| Lens Mount | Ø14 Mount |
| Protection Rate | Water Proof: IP67 |
| Bracket | 3-Axis Bracket |
| Dimensions | Ø140.9x100.3mm |
| Weight (gross) | ~890g |
| Network | RJ45 (+PoE) |
| Power | DC Socket |
| Analog Video Output | CVBS Out + Technician Port |
| Audio Connectivity | Built-in Microphone + Audio Input + Audio Output |
| SD Card | Event/Schedule based Main/Sub-Stream recording (Up to 128Gb) |
| Hard Reset Button | Yes |
| Alarm | Alarm in + Alarm Out |
| Remote Monitoring | IE Browsing, CMS Software, Provision Cam2 Mobile App |
| User Access | Supports simultaneous monitoring for up to 10 users with multi-stream real time transmission |
| Network Protocol | IPv4, IPv6, TCP, UDP, DHCP, NTP, DDNS, 802.1X, RTSP, Multicast, UPnP, Email, FTP, HTTPS, QoS, P2P |
| ONVIF | Yes |
| Ethernet | 100Mbps |
| PoE | Yes |
| Power Supply | DC12V/~780mA / PoE/~7.4W |
| Work Environment | -30°C~60°C, 10%~90% Humidity |
| Junction Box | PR-JB14IP66 - PR-ICB23 |

DIMENSIONS



ACCESSORIES



PR-JB14IP66



PR-ICB23