

## Optical / Acoustic Devices

### Description

Thanks to the new design, a high performance LED, high sound quality with 32 selectable shades and a super omnidirectional light cover, these sirens can be installed in different environments. The targeted optical / acoustic series is compatible with the NOTIFIER Italia Firefighting Series AM series. All devices are equipped with an integrated insulator and certified EN54 part 17.



### Advantages

- > Simple, fast installation
  - Easier insertion of cables into the device
  - Ease of cable insertion
  - Continuity of the loop
- > Versatile installation
  - Low power consumption that allows multiple devices to be installed on the loop
  - Adjustable volume
  - Compatible with different bases.
- > Features
  - High quality materials for longer durability
  - UV resistant materials
  - Robust construction for impact resistance
  - Common base with detectors (B501AP)
  - Compatible with different protocols
  - 32 selectable tones
- > Performance
  - Greater coverage thanks to LED technology
  - Advanced protocol that allows you to control audio output, tone selection, and independent sound control.

### VAD-PC-I02: VISUAL SIGNALLING DEVICE EN54-17/23

VAD Electronic addressable with strain. Black Body, White LED with clear lens. Powered directly from the loop. It requires mounting bracket. CPR certified according to EN 54 shares 17:23 C & W Category C3-5,1 W 2.4-2.7).

#### Electrical Specification

Supply Voltage: 15 a 29Vcc  
 Standby current: 450 $\mu$ A  
 Consumption 31mA @ 24Vcc  
 Consumption Max.: 40mA @ 20Vcc  
 Rate 0.5Hz

#### Environmental Specification

Operating temp: -25C° ÷ 70C°  
 Relative Humidity: 93%  $\pm$  3% no-condensing  
 Ingress Protection: IP21C (with low profile base)  
 IP65 (waterproof base)

#### Mechanical Specification

Colour: White  
 Lens colour: Clear  
 Weight: 210g  
 Terminal size: 1.5 - 2.5mm<sup>2</sup> max

#### Approvals

Approved to: EN54-23 category C & W  
 EN54-17

**WSS-PC-I02:** VISUAL/ACOUSTIC SIGNALLING DEVICE EN 54-3/17/23 (OPEN CLASS)



Electronic addressable sounder and strobe with white lens  
CPR certified in accordance with EN54-3/17/23 (Open Class).

**Electrical Specification**

Supply Voltage: 15 to 29VDC  
Standby current: 225µA  
Consumption Max: 14.5mA (Tono 11 @15V)  
Flash Rate: 1Hz

**Environmental Specification**

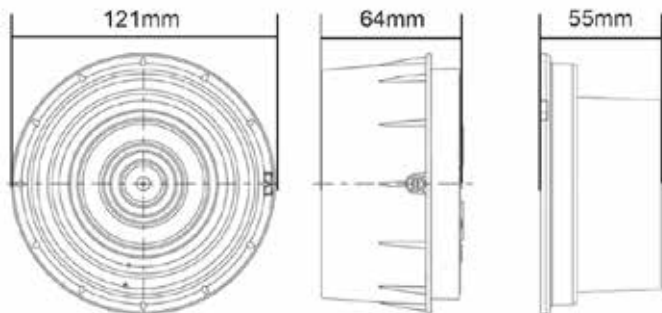
Operating temp: -25°C ÷ 70°C  
Relative Humidity: 95% no-condensing  
Ingress Protection: IP21C (with low profile base)  
IP44 (con BRR)  
IP65 (con WRR)

**Mechanical Specification**

Colour: White  
Lens colour: Clear  
Weight: 238g  
Terminal size: 1.5 - 2.5mm<sup>2</sup> max  
Available shades: 32  
Volume: High, Medium, Low

**Approvals**

Approved to: EN54-3 e EN54-17



**WST-PC-I02:** VISUAL SIGNALLING DEVICE EN 54-17/23 (OPEN CLASS)



Electronic addressable sounder and strobe with white lens  
CPR certified in accordance with EN54-23 Open Class.

**Electrical Specification**

Supply Voltage: 15 to 29VDC  
Standby current: 225µA  
Consumption Max: 5.4mA@15V  
Flash Rate: 1Hz

**Environmental Specification**

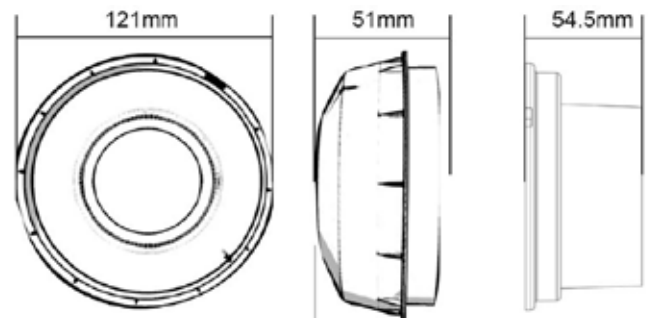
Operating temp: -25°C ÷ 70°C  
Relative Humidity: 95% no-condensing  
Ingress Protection: IP21C (with low profile base)  
IP44 (con BRR)  
IP65 (con WRR)

**Mechanical Specification**

Colour: White  
Lens colour: Clear  
Weight: 168g  
Terminal size: 1.5 - 2.5mm<sup>2</sup> max

**Approvals**

Approved to: EN54-3 e EN54-17



**WSO-PR-102: ADDRESSABLE AUDIO/VISUAL DEVICES EN 54-3**



Addressable electronic sounder with isolator and red colour. CPR certified in accordance with EN54-3.

**Electrical Specification**

Supply Voltage: 15 to 29VDC

Standby current: 225 $\mu$ A

Consumption Max: 11.4mA

**Environmental Specification**

Operating temp: -25C° ÷ 70C°

Relative Humidity: 95% no-condensing

Ingress Protection: IP21C (with low profile base)

IP44 (con BRR)

IP65 (con WRR)

**Mechanical Specification**

Colour: Red

Weight: 238g

Terminal size: 1.5 - 2.5mm<sup>2</sup> max

Available shades: 32

Volume: High, Medium, Low

**Approvals**

Approved to: EN54-3 e EN54-17

**BSO-PP-102: ADDRESSABLE AUDIO/VISUAL DEVICES EN 54-3, EN 54-17**



Detector base and addressable electronic sounder with isolator. White colour. CPR certified in accordance with EN 54-3/17.

**Electrical Specification**

Supply Voltage:: 15 to 29VDC

Standby current: 225 $\mu$ A

Consumption Max: 10.5mA

**Environmental Specification**

Operating temp: -25C° ÷ 70C°

Relative Humidity: 95% no-condensing

Ingress Protection: IP21C (with low profile base)

IP44 (con BRR)

IP65 (con WRR)

**Mechanical Specification**

Colour: White

Weight: 202g

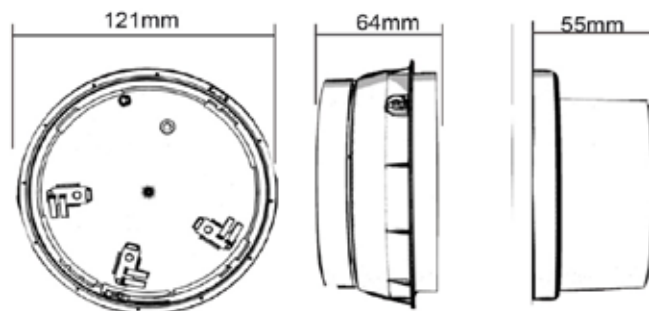
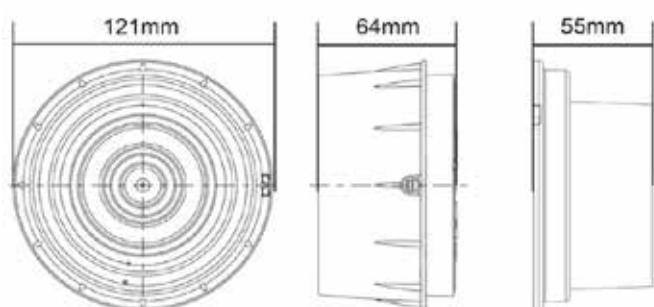
Terminal size: : 1.5 - 2.5mm<sup>2</sup> max

Available shades: 32

Volume: High, Medium, Low

**Approvals**

Approved to: EN54-3



**BSS-PC-I02: ADDRESSABLE AUDIO/VISUAL DEVICES EN 54-3, EN 54-17**



CODICE	CPR
VAD-PC-I02	0832-CPR-F1212
WSS-PC-I02	0832 - CPR - F0278
WST-PC-I02	0832 - CPR - F0271
WSO-PR-I02	0832 - CPR - 1810
BSO-PP-I02	0832 - CPR - 1814
BSS-PC-I02	0832 - CPR - 1816

Detector base and addressable electronic sounder and strobe flash, with isolator. White colour. CPR certified in accordance with EN 54-3/17.

**Electrical Specification**

Supply Voltage: 15 to 29VDC  
 Standby current: 225µA  
 Consumption Max:14mA  
 Flash Rate: 1Hz

**Environmental Specification**

Operating temp: -25°C ÷ 70°C  
 Relative Humidity: 95% no-condensing  
 Ingress Protection: IP21C (with low profile base)  
 IP44 (con BRR)  
 IP65 (con WRR)

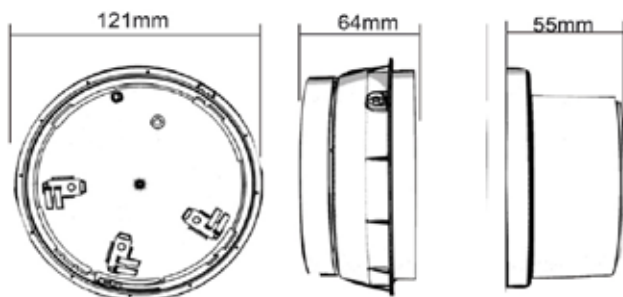
**Mechanical Specification**

Colour: White  
 Lens colour: Clear  
 Weight: 200g  
 Terminal size:1.5 - 2.5mm<sup>2</sup> max  
 Available shades: 32  
 Volume: High, Medium, Low

**Approvals**

Approved to: EN54-3

**Applications**



Notifier Italia S.r.l.  
 Via Achille Grandi 22  
 20097 San Donato  
 Milanese (MI)  
 Italia

Tel.: +39 02 51 89 71  
 Fax: +39 02 51 89 730  
 E-Mail: [notifier.milano@notifier.it](mailto:notifier.milano@notifier.it)  
[www.notifier.it](http://www.notifier.it)