



Description:

UTP7224E-POE-L2 is a managed PoE Ethernet switch, which features 24* downlink Ethernet ports and 4* uplink ports. The downlink ports are 10/100 Mbps PoE Ethernet ports. There are 2* Gigabit uplink Ethernet port and 2* Gigabit uplink SFP optical port.

The switch is designed for the demands of HD IP camera data access and PoE power supply mainly. It accords with IEEE802.3af/at standard. Each port supports Max output 30W for IP camera, total power up to 380W, which solves the problem of camera power supply. The product provides simple Web management software. There is QOS, VLAN, TRUNK, Spanning tree and other network management features. Transmission distance of downlink port reaches 150m, breaking the limitation of 100m distance on a traditional switch and expanding the scope of products covered in actual engineering project. Meanwhile, the use of US industrial Marvell chip ensures the stable operation of the switch.

Compared with ordinary switch, UTP7224E-POE-L2 has excellent features and quality. It supports hybrid fiber and Ethernet transmission, long distance transmission of Ethernet port, PoE+ high power supply, simple web management interface, superior lightning protection and anti-interference ability which fit in each complex environment. It is a high performance/price ratio product in the field of HD IP security surveillance and IoT transmission application..

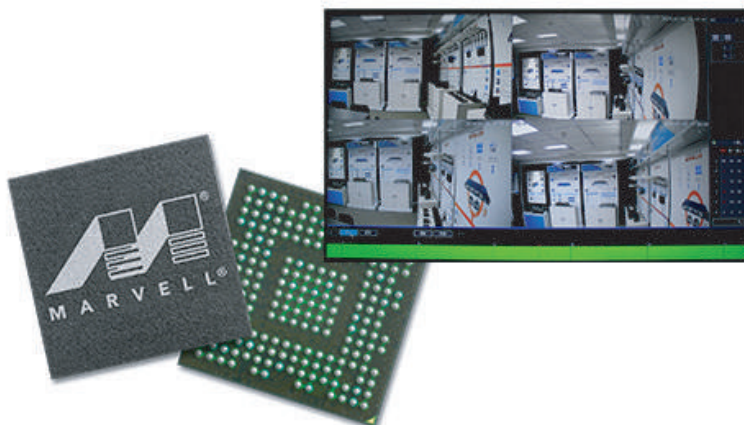
Features:

- RJ45 Ports with 30u Gold-plated Flattened Pins
- Industrial-level Chip Superior Performance
- Hybrid Fiber and Ethernet Gigabit Uplink
- PoE+ 150m Downlink Ports
- 6KV Lightning Protection and Level 3 ESD
- Web Management Real-time Surveillance

Advantages

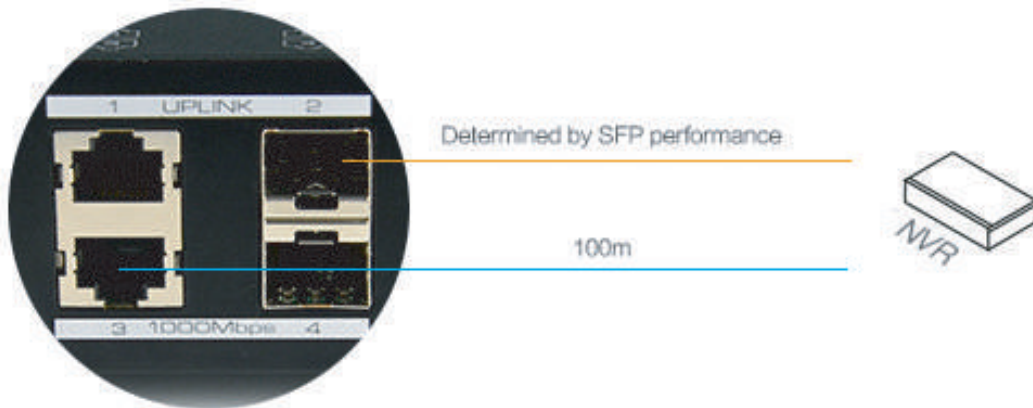
Industrial-Level Chip Superior Performance .1

Adopt industrial MARVELL chip solution, backplane bandwidth up to 70Gbps, convenient for data processing of surveillance system.



2. Hybrid Fiber and Ethernet Gigabit uplink

Gigabit hybrid fiber and Ethernet uplink ports design,
SFP fiber port, convenient for remote transmission of system ;
Ethernet port, convenient for local monitoring and data backup.



PoE+ 150m Downlink Ports

Provide 24x100Mbps 150m PoE+ downlink ports, meet needs of multi-channel PoE IP cameras; Support IEEE802.3 af/at standard, Max. 30W power, meet needs of high power cameras; Support IEEE802.3X full-duplex flow control and Auto MDI/MDIX function.

.3



4. 6KV Lightning protection Level 3 ESD

6KV lightning protection standard, level 3 ESD to ensure a stable and reliable operation environment.



Web Management Real-time Surveillance .5

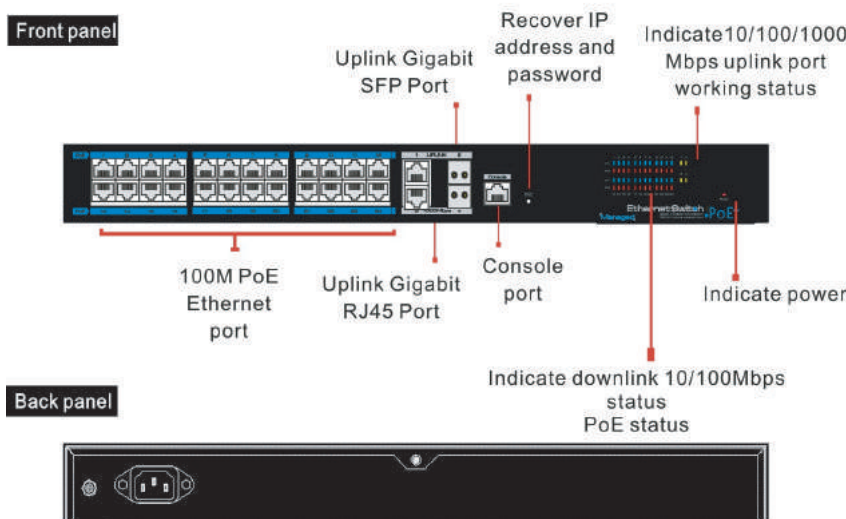
Advanced Web management function, support IEEE802.1Q, priority-based QoS strategies, VLAN, port convergence, spanning tree and other layer 2 management functions; User-friendly Web interface, easy operation, convenient for maintenance personnel to manage and control terminal network devices.



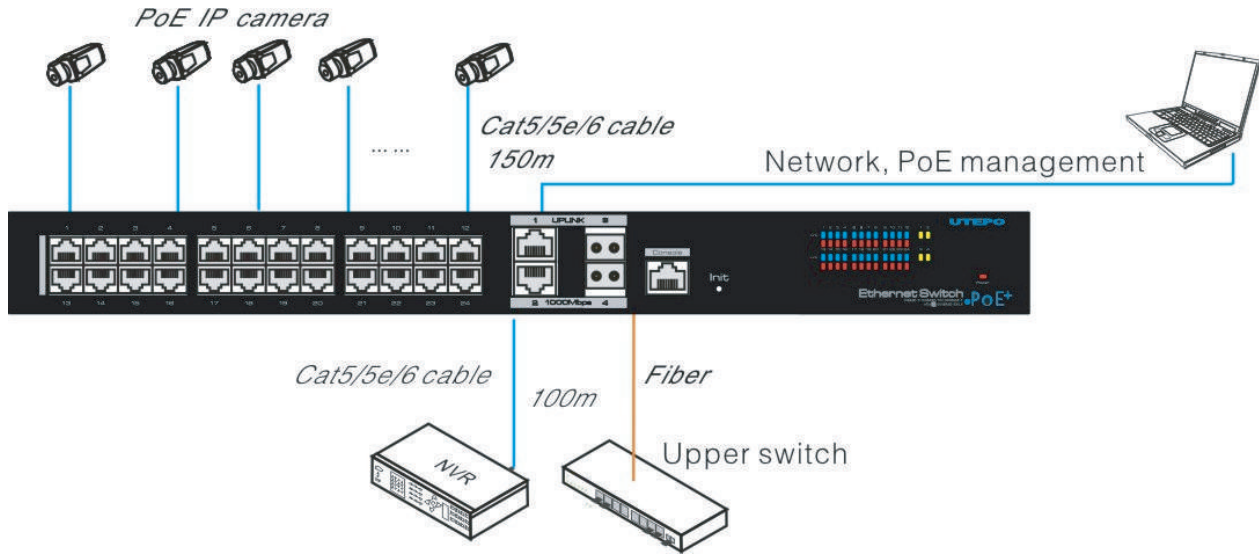
System status Port setting PoE VLAN QoS LACP Port security Network management Network statistics System management (Exit)							
Port settings >> Port setting							
Port setting							
Port enable	Enable						
Port rate	Auto negotiation	Display mode	Auto negotiation				
Flow control	Enable						
Port range							
		OK		Refresh			
	Port	Port name(Double click to modify)	Current status (speed/duplex)	Port property	Port rate(speed/duplex)	Flow control	Port enable
<input type="checkbox"/>	1	port1	no link	Copper	1000/auto	enable	enable
<input type="checkbox"/>	2	port2	no link	Copper	Auto/auto	enable	disable
<input type="checkbox"/>	3	port3	no link	Copper	Auto/auto	enable	disable
<input type="checkbox"/>	4	port4	no link	Copper	Auto/auto	enable	enable
<input type="checkbox"/>	5	port5	no link	Copper	Auto/auto	enable	enable

Application

24 Ports Managed PoE Ethernet Switch Board Diagram



Board Diagram



SPECIFICATIONS

Item	24 Ports managed PoE Ethernet Switch	
Power	Power Supply	Mains on load
	Voltage Range	AC 100~240V
	Power Consumption	430W(Full load)
Network Connector	Ethernet Port	1~24 Ports: 10/100Mbps Ethernet port, adaptive control UPLINK Ethernet port: 10/100/1000Mbps Ethernet port SFP: SFP optical fiber module, 1000Mbps
	Transmission Distance	1~24 ports: Recommended 120m Max.150m; Uplink 1000Mbps Ethernet port: Max.100m SFP: depend on the optical module performance
	PoE Protocol	IEEE802.3af, IEEE802.3at
	PoE Power Supply	End-span
	PoE Power Consumption	Each Port≤30W, Total≤380W
	Network Switch	Ethernet Standard
Switch Capacity		16G
Management	Management	Management L2
Protection	ESD	Level 3, Per: IEC61000-4-2
	Communication Port Lighting Protection	Level 3, Per:IEC61000-4-5
Environmental	Working temperature	0?~55?
	Storage temperature	-40?-85?
	Humidity(non-condensing)	0-95%
Mechanical	Dimension (L×W×H)	442mm×263mm×44.5mm
	Material	Sheet metal
	Color	Black
	Weight	3.73kg