

IP67 Gigabit 802.3bt PoE Ethernet Repeater

Overview

This series of IP67 Gigabit 802.3bt PoE Ethernet repeaters can extend 1000Mbps Ethernet signal to 100m and provide 50~57V standard PoE for powered devices. This series of products are industrial level, with IP67 waterproof design and wide working temperature -40~75°C. They can withstand harsh environmental tests, and are suitable for security monitoring and network engineering.

This series contains three models:

- UTP7201GR-BTPOE(60): 1 PoE output port, maximum input power 60W
- UTP7202GR-BTPOE(60): 2 PoE output ports, maximum input power 60W
- UTP7202GR-BTPOE(90): 2 PoE output ports, maximum input power 90W

Features and Highlights



Provide 10/100/1000Mbps Ethernet ports

- UTP7201GR-BTPOE(60): 1* input port, 1* output port.
- UTP7202GR-BTPOE(60)/(90): 1* input port, 2* output ports

Great PoE Compatibility

- All ports comply with IEEE802.3af, IEEE802.3at, IEEE802.3bt
- PoE output port can auto detect powered device and the output power
- Automatically distribute PoE for 2 PoE output ports as demand of the powered device
- Extends both Ethernet data and PoE to an additional 100 meters

Industrial Case and Installation

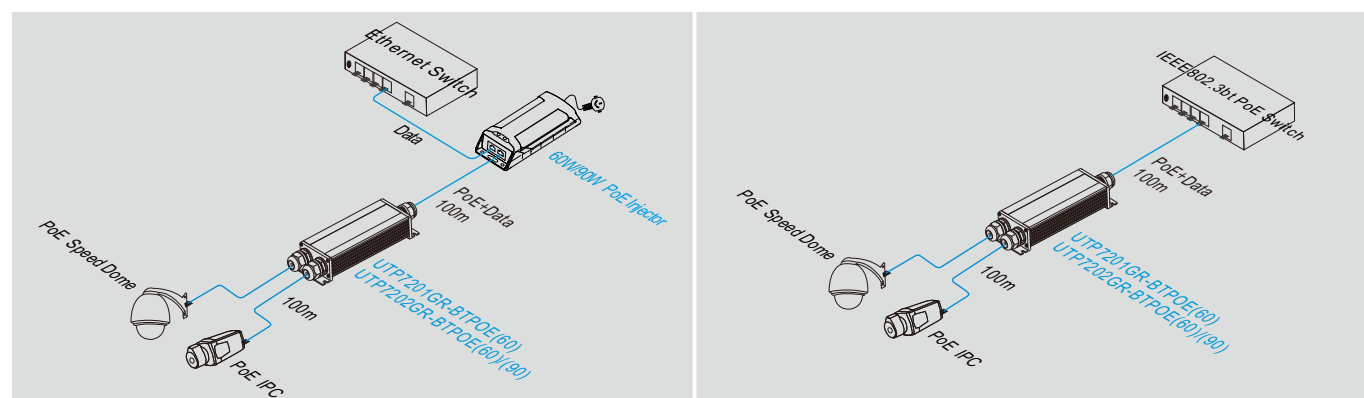
- Waterproof IP67-rated aluminum housing
- Wall-mount design
- Supports 6kV surge immunity and 8kV ESD protection
- Wide working temperature: -40~75°C
- No external power cable required for installation
- Plug and play installation

Strong Layer 2 Features

- Supports 8k MAC addresses, which allows the connection of more devices
- 10kB jumbo frame support in 1000Mbps duplex mode
- Automatic address learning and address aging
- IEEE 802.3x pause frame for full duplex, back pressure for half duplex



Applications

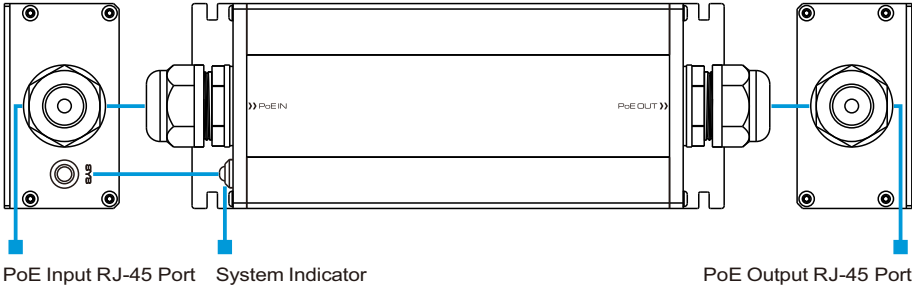
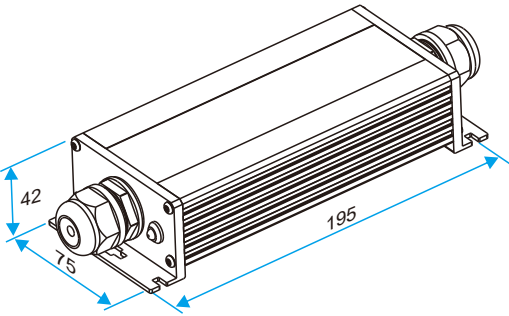


Specifications

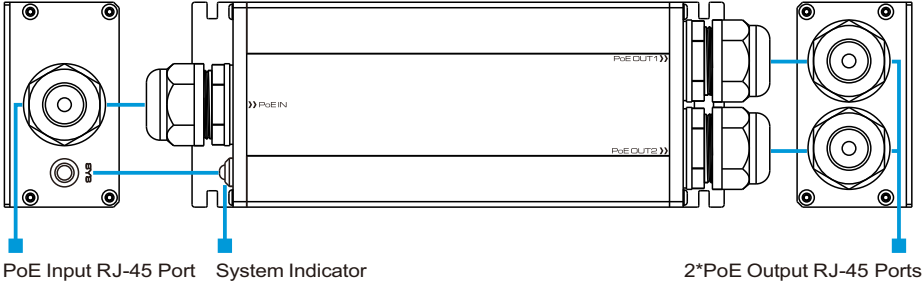
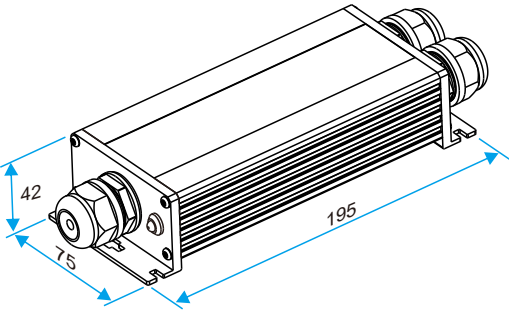
Items	UTP7201GR-BTPOE(60)	UTP7202GR-BTPOE(60)	UTP7202GR-BTPOE(90)
Ethernet Ports			
PoE Input Port	10/100/1000Base-TX RJ-45	10/100/1000Base-TX RJ-45	10/100/1000Base-TX RJ-45
PoE Output Port	1*10/100/1000Base-TX RJ-45	2*10/100/1000Base-TX RJ-45	2*10/100/1000Base-TX RJ-45
PoE			
PoE Standard	IEEE 802.3af Power over Ethernet IEEE 802.3at Power over Ethernet Plus IEEE 802.3bt Power over Ethernet Plus Plus		
PoE Power Supply Type	End-span		
PoE Pin Assignment	1/2(-), 3/6(+), 4/5 (+), 7/8 (-)		
Input Voltage	50~57V DC		
Input Power	60W max	60W max	90W max
Output power	Max 57.4W@101m (Cat6 cable)	Max 57.4W@101m (Cat6 cable)	Max 68.3W@101m (Cat6 cable)
Switch Property			
Standards	IEEE 802.3 Ethernet IEEE 802.3u Fast Ethernet IEEE 802.3ab Gigabit Ethernet IEEE802.3x Flow Control		
Forwarding Modes	Store and forward		
Transmission Distance	Extend 100m by 1pcs Max. 300m when 3pcs in cascade		
MAC Table	8k		
Switching Capacity	4Gbps	6Gbps	6Gbps
Packet Forwarding Rate	2.98Mpps	4.46Mpps	4.46Mpps
Flow Control	IEEE 802.3x pause frame for full duplex, back pressure for half duplex		
Jumbo Frame	10kB		
Environment			
Surge Immunity	6kV. Standard: IEC6000-4-5		
ESD Protection	6kV 1a Contact Discharge Level 3, 8kV 1b Air Discharge Level 3. Standard: IEC61000-4-2		
Protection Level	IP67		
Operating Temperature	-40°C~75°C		
Storage Temperature	-40°C~85°C		
Operating Humidity	0~95% (No condensation)		
Physical Parameter			
Dimensions (W*D*H)	193mm*75mm*38mm		
Net Weight	430g±10g	474g±10g	474g±10g
Material	Metal shell		
Certifications			
Certifications	CE, FCC		

Appearances and Dimensions

UTP7201GR-BTPOE(60)



UTP7202GR-BTPOE(60)/(90)



Packing List

Welcome to order our products. After purchasing, you will receive:

Item	Quantity
UTP7201GR-BTPOE(60)	
Repeater	1 pc
Mounting Accessories	1 set
User Manual	1 pc
UTP7202GR-BTPOE(60)/(90)	
Repeater	1 pc
Mounting Accessory	1 set
User Manual	1 pc

Related Products

Model	Description
UTP7308GE-BTPOE	8-Port BTPoE Gigabit + 2-Port SFP L2 Managed Ethernet Switch (480W)
UTP7308GE-BTPOE90	8-Port BTPoE Gigabit + 2-Port SFP L2 Managed Ethernet Switch (720W)
UTP5328S-PSD2000	24-Port Gigabit PoE++ 4-Port SFP L2 Managed Ethernet Switch
UTP7201GE-PSE95	Gigabit PoE Injector (95W)

More Information

For more information, please visit:

www.utepo.net

SHENZHEN UTEPO TECH LTD.

Head quarter: 5F, Building B, Tiange Science and Technology Park, NO.2, Luozu Industrial Avenue, Shi'yan Street, Bao'an District, Shenzhen, Guangdong, China

Tel: +86-755-83898016-863 or +86-1501-2669-765 (Sales)

Email: info@utepo.net (Sales), support@utepo.net (Technical support)

©2021 SHENZHEN UTEPO TECH LTD. All Rights Reserved.

Version,V1.0, updated 2021.6.3.

The information in this document is subject to change without notice.

Every effort has been made in the preparation of this document to ensure accuracy of the contents, but all statements, information, and recommendations in this document do not constitute a warranty of any kind, express or implied.