

# Industrial IP67 1-Port Gigabit PoE++ to 2-Port Gigabit PoE++ Repeater

## Overview

The product is an Industrial IP67 1-Port Gigabit PoE++ to 2-Port Gigabit PoE++ Repeater, using network cable power supply technology, and can extend 1000Mbps Ethernet signal to 100m and provide 50~57V standard PoE for powered devices.

The repeater is industrial grade, with IP67 waterproof design and wide working temperature -20~75°C. It can withstand harsh environmental tests, and is suitable for security monitoring and network engineering.

## Features and Highlights

Provide 10/100/1000Mbps Ethernet ports

- UPR6303-PSC-PDD: 1\* input port, 2\* output ports

Great PoE Compatibility

- All ports comply with IEEE802.3af, IEEE802.3at, IEEE802.3bt
- PoE output port can auto detect powered device and the output power
- Automatically distribute PoE for 1 or 2 PoE output ports as demand of the powered device
- Extends both Ethernet data and PoE to an additional 100 meters

Industrial Case and Installation

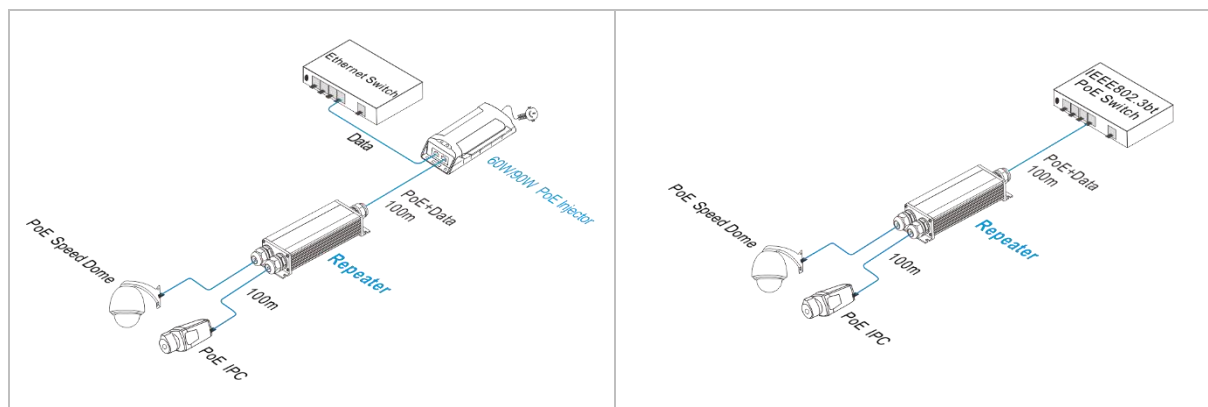
- Waterproof IP67-rated and IK10 aluminum case
- Wall-mount design
- Supports 6kV surge immunity and 8kV ESD protection
- Wide working temperature: -20~75°C
- No external power cable required for installation
- Plug and play installation

Strong Layer 2 Features

- Supports 2k MAC addresses, which allows the connection of more devices
- 10kB jumbo frame support in 1000Mbps duplex mode
- Automatic address learning and address aging
- IEEE 802.3x pause frame for full duplex, back pressure for half duplex



## Applications



# Transmission Performance

## 1 Repeater

<b>PSE Output Power</b>	<b>90W</b>	
<b>Cable Type</b>	<b>Cat5e</b>	<b>Cat6</b>
<b>1 Repeater (101m)</b>	<pre> graph LR     PSE -- 100m --- Repeater     Repeater -- 1m --- PD             </pre>	
<b>PD Input Power</b>	60.5W	60.9W
<b>1 Repeater (200m)</b>	<pre> graph LR     PSE -- 100m --- Repeater     Repeater -- 100m --- PD             </pre>	
<b>PD Input Power</b>	52W	53W

## 2 Repeater

<b>PSE Output Power</b>	<b>90W</b>	
<b>Cable Type</b>	<b>Cat5e</b>	<b>Cat6</b>
<b>2 Repeaters (201m)</b>	<pre> graph LR     PSE -- 100m --- Repeater1     Repeater1 -- 100m --- Repeater2     Repeater2 -- 1m --- PD             </pre>	
<b>PD Input Power</b>	48.2W	49.4W
<b>2 Repeaters (300m)</b>	<pre> graph LR     PSE -- 100m --- Repeater1     Repeater1 -- 100m --- Repeater2     Repeater2 -- 100m --- PD             </pre>	
<b>PD Input Power</b>	37.5W	38.9W

## 3 Repeater

<b>PSE Output Power</b>	<b>90W</b>	
<b>Cable Type</b>	<b>Cat5e</b>	<b>Cat6</b>
<b>3 Repeaters (301m)</b>	<pre> graph LR     PSE -- 100m --- Repeater1     Repeater1 -- 100m --- Repeater2     Repeater2 -- 100m --- Repeater3     Repeater3 -- 1m --- PD             </pre>	
<b>PD Input Power</b>	33.6W	34.8W
<b>3 Repeaters (400m)</b>	<pre> graph LR     PSE -- 100m --- Repeater1     Repeater1 -- 100m --- Repeater2     Repeater2 -- 100m --- Repeater3     Repeater3 -- 100m --- PD             </pre>	
<b>PD Input Power</b>	22.5W	24W

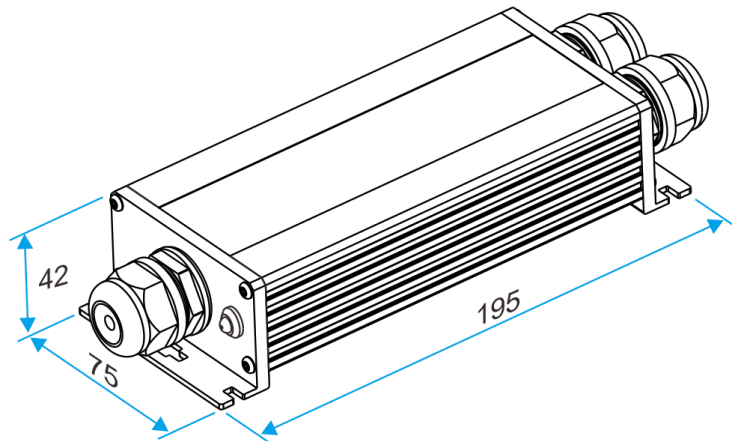
# Specifications

Items	UPR6303-PSC-PDD
<b>Ethernet Ports</b>	
PoE Input Port	1*10/100/1000Base-TX RJ-45
PoE Output Port	2*10/100/1000Base-TX RJ-45
<b>PoE</b>	
PoE Standard	IEEE 802.3af/at/bt
PoE Power Supply Type	End-span, Mid-span
PoE Pin Assignment	1/2(-), 3/6(+), 4/5 (+), 7/8 (-)
Input Voltage	50~57V DC, max 90W
PoE Output Power	65W(max)
Single Port PoE Output Power	60W(max)
<b>Switch Property</b>	
Standards	IEEE 802.3, IEEE 802.3u, IEEE 802.3ab
Forwarding Modes	Store and Forward
Transmission Distance	Extend 100m by 1pcs, max. 400m when 3pcs in cascade
MAC Table	2k
Switching Capacity	6Gbps
Packet Forwarding Rate	4.46Mpps
Flow Control	IEEE 802.3x pause frame for full duplex, Back pressure for half duplex
Jumbo Frame	10kB
<b>Environment</b>	
Surge Immunity	6kV, Standard: IEC61000-4-5
ESD Protection	6kV Contact Discharge, 8kV Air Discharge, Standard: IEC61000-4-2
Enclosure	IP67-rated and IK10 aluminum case
Operating Temperature	-20°C~75°C
Storage Temperature	-40°C~85°C
Operating Humidity	0~95% (No condensation)
<b>Physical Parameters</b>	
Dimensions (W*D*H)	195mm*75mm*42mm
Net Weight	519g±10g
Material	Metal Shell
Installation	Wall-mounted
<b>Certifications</b>	
Certifications	CE, FCC

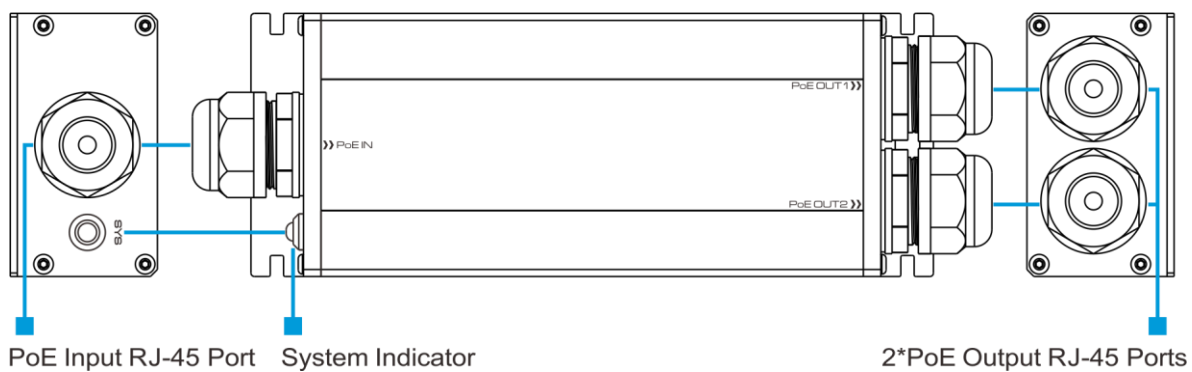
# Appearances and Dimensions

UPR6303-PSC-PDD

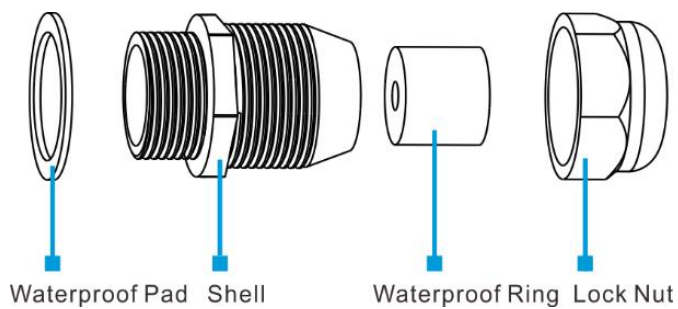
Dimensions(mm)



Interfaces and Indicator



Waterproof Joint



## Packing List

Welcome to order our products. After purchasing, you will receive:

Item	Quantity
Repeater	1 pc
Mounting Accessory	1 set
Quick Installation Guide	1 pc

## More Information

For more information, please visit:

[www.utepo.net](http://www.utepo.net)

### SHENZHEN UTEPO TECH LTD.

Head quarter: 5F, Building B, Tiange Science and Technology Park, NO.2, Luozu Industrial Avenue, Shi'yan Street, Bao'an District, Shenzhen, Guangdong, China

Tel: +86-755-83898016-863 or +86-1501-2669-765 (Sales)

Email: [info@utepo.net](mailto:info@utepo.net) (Sales), [support@utepo.net](mailto:support@utepo.net) (Technical support)

©2023 SHENZHEN UTEPO TECH LTD. All Rights Reserved.

Version, V1.0, updated 2023-10-11.

The information in this document is subject to change without notice.

Every effort has been made in the preparation of this document to ensure accuracy of the contents, but all statements, information, and recommendations in this document do not constitute a warranty of any kind, express or implied.