

## SensoIRIS S130 Optical-Smoke Fire Alarm Detector

### EN54-7

### Description

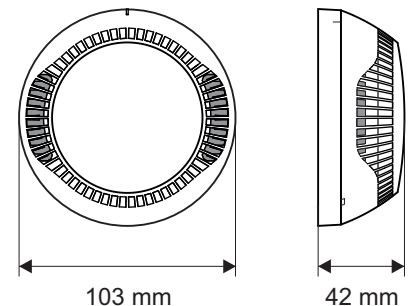
SensoIRIS S130 is an addressable optical-smoke detector designed for installing in addressable fire alarm systems supporting TTE communication protocol. The detector is powered on from the panel and can be controlled via the communication protocol.



### Technical and Environmental Specifications

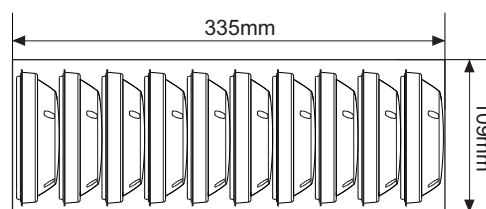
Operating Voltage Range . . . . .	15 - 32VDC (Nom. 27VDC)
Consumption in quiescent state, no communication . . .	< 160µA@27VDC
Consumption in quiescent state, with communication . .	< 200µA@27VDC
Consumption in alarm state, with communication . . . .	6.5mA
Sensitivity, selectable from control panel. . . . .	High/ Normal/ Middle/ Low
Output in alarm state at terminal RI (terminals 4/ 1) . . .	7.5 mA (max)/ 7.5V
Wire Gauge for terminals. . . . .	0.4mm <sup>2</sup> - 2.0mm <sup>2</sup>
Operating temperature . . . . .	-10°C to +60°C
Relative humidity resistance . . . . .	(93 ± 3)% @ 40°C
Protection . . . . .	IP30
Weight (including base). . . . .	~125g
Dimensions (including base) . . . . .	103x42mm

CE<sup>15</sup>  
1293  
DoP No: 023  
1293-CPR-0452  
Tested by **EVPÜ**



### Packing Information

• **Master box** - 10 units SensoIRIS S130, dimensions 335 x 109 x 109 mm, without base. All detectors are protected with a plastic cap.



### Compatible Product Range

- **IRIS** - Addressable Fire Panel, 4 loops, 96 Zones
- **IRIS PRO** - Addressable Fire Panel, metal box, 4 loops, 96 Zones
- **SIMPO** - Addressable Fire Panel, 2 loops, 48 Zones
- **SensoIRIS FRL-1** - Remote Fire Indicator
- **SensoIRIS B124** - Standard Base
- **SensoIRIS BSOU** - Addressable base with built-in sounder
- **SensoIRIS BSST** - Addressable base with built-in sounder and strobe
- **DeepBase W** - Deep base accessory, white, for mounting on rough surfaces, outdoor pipelines, etc.
- **SensoIRIS Programmer** - Address Programming Tool

### Contact Information