

SensoIRIS MIO22 Input-Output Module

EN54-18/ 17

Description

SensoIRIS MIO22 is an addressable input-output module with built-in isolator module, designed for application in addressable fire alarm systems, supporting TTE communication protocol.

The module monitors 2 analogue input signals and controls 2 relay outputs.

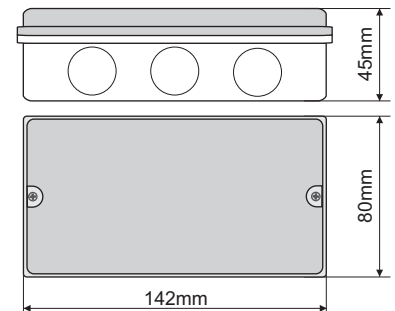
SensoIRIS MIO22 is powered on from the fire panel and can be controlled via the communication protocol.

The module is mounted in a separate small plastic box suitable for wall mounting, with transparent cover for visual inspection.



Technical and Environmental Specifications

Operating Voltage Range	16 - 32VDC
Consumption, stand-by mode	235µA@27VDC
Nom. current consumption	260µA@27VDC
Outputs, electrical characteristics (max.)	DC 30V/1A; AC 125V/0.5A
Current consumption with 1 LED on	3.5mA
Current consumption with 2 LEDs on	7mA
Wire Gauge for terminals	0.4mm ² - 2.0mm ²
Operating temperature	-10°C to +60°C
Relative humidity resistance	(93 ± 3)% @ 40°C
Protection	IP21C
Weight	~230g
Enclosure box (Material, color, model)	ABS, Grey, TEE.133.01.00
Dimensions	142x80x45mm



Packing Information

- **Single packing** - 1 unit SensoIRIS MIO22, dimensions 145x84x50mm
- **Carton packing box** - 48 units SensoIRIS MIO22, dimensions 510x320x200mm

Compatible Product Range

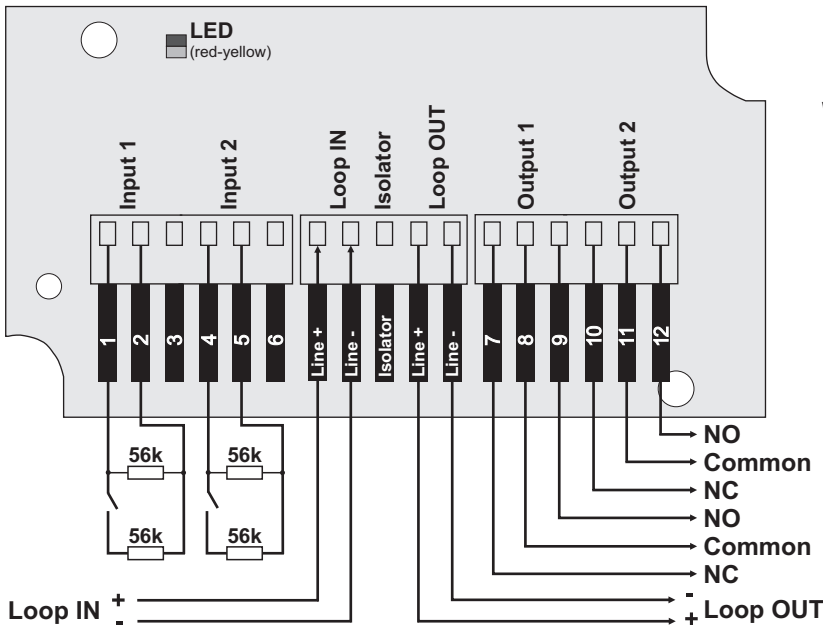
- **IRIS** - Addressable Fire Panel, 4 loops
- **SIMPO** - Addressable Fire Panel, 2 loops
- **SensoIRIS Programmer** - Address Programming Tool

Contact Information

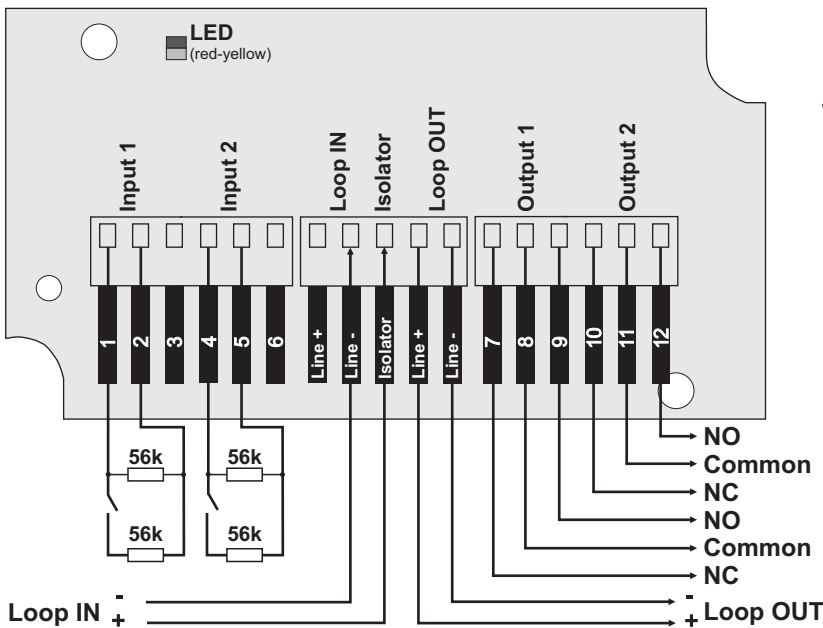
SensoIRIS MIO22 Input-Output Module

EN54-18/ 17

● Connection Diagrams



Without using the built-in isolator module.



With using the built-in isolator module.

● Contact Information