

DH-PFB110W

Wall Mount Bracket



Features

- Aesthetic design
- Wall mount/plane mount/ceiling mount bracket
- Material: aluminum

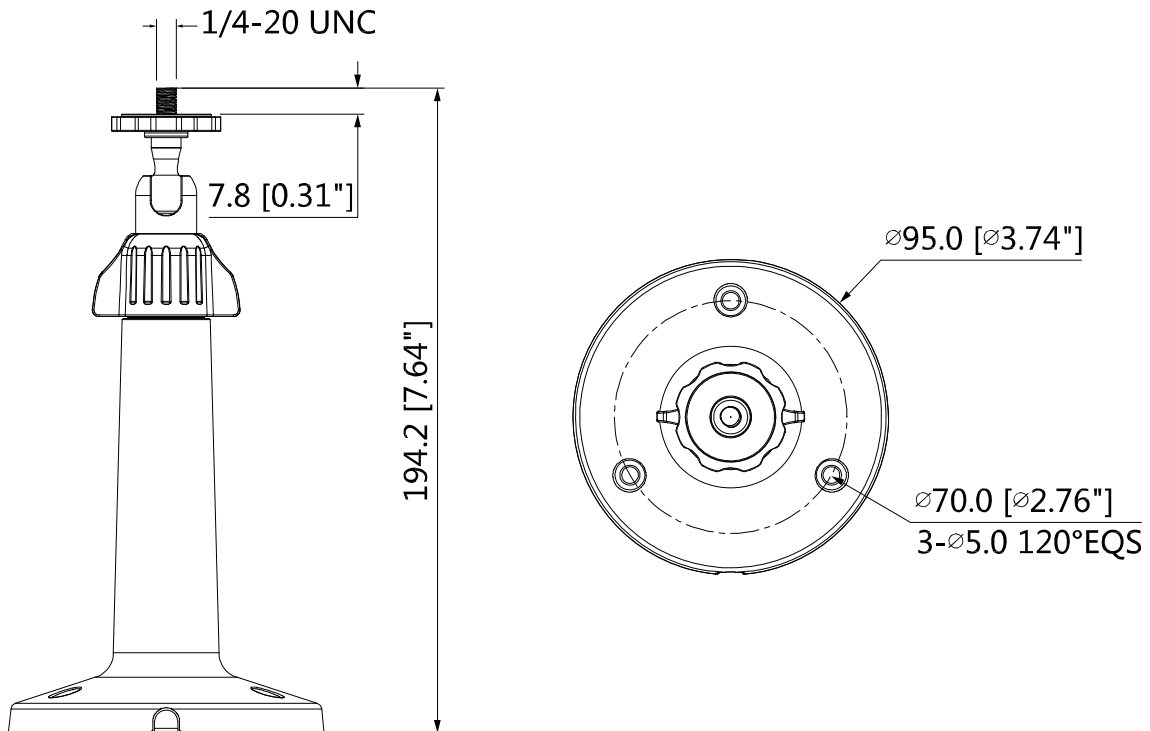
Technical Specifications

Model	DH-PFB110W
General	
Material	Aluminum
Dimension	φ95mmx194.2mm (φ3.74"x7.64")
Pipe Thread	1/4"-20 UNC
Weight	0.18kg(0.4lb)
Load Bearing	1kg(2.2lb)
Color	White
Operating Temperature	-40°C~+60°C(-40°F~+140°F)
Humidity	<90% RH
Applicable Model	Please see "Accessory Selection"

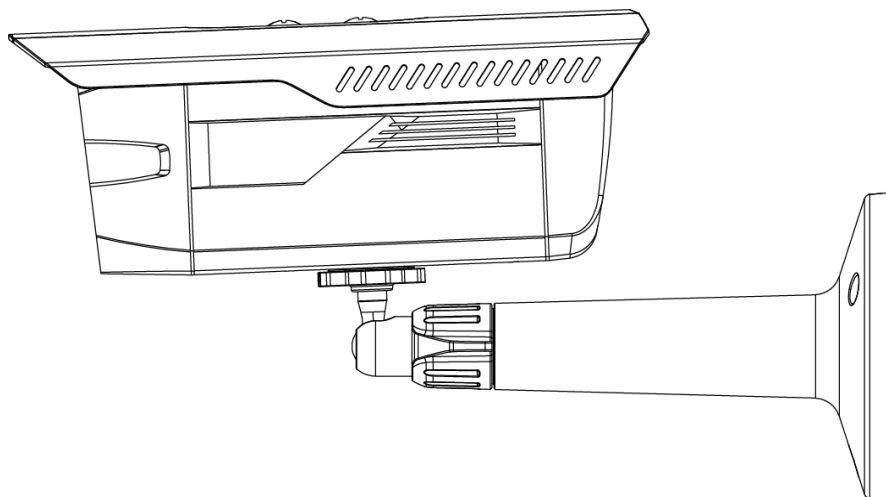
Order Information

Type	Part Number	Description
Camera Mount	DH-PFB110W	Wall mount bracket
	PFB110W	Wall mount bracket

Dimensions (mm/inch)



Application



Package Information

- Wall mount bracket *1
- ST4 screw *3
- Plastic anchor *3