

DH-PFA160

Housing Bracket



Features

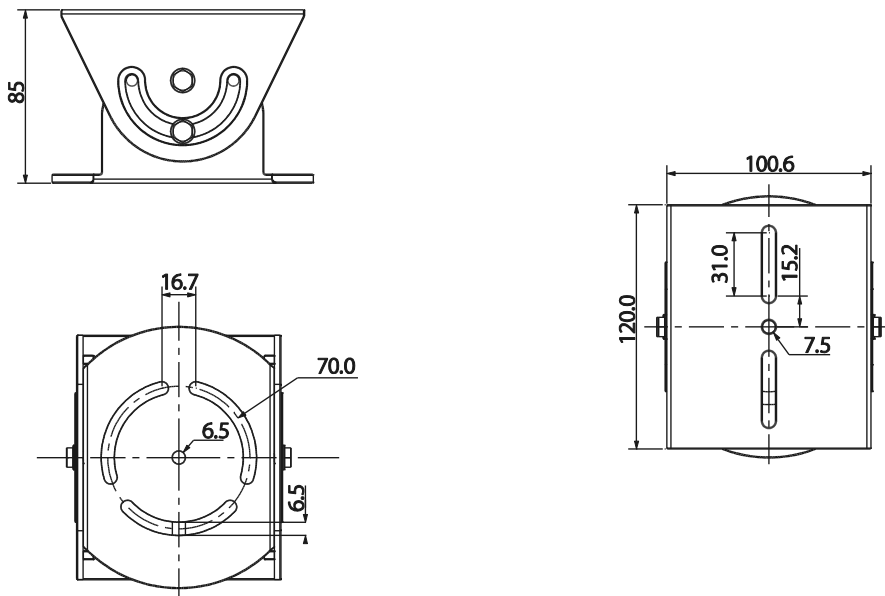
- Material: Aluminum
- Housing Bracket
- Neat & Integrated design

Specifications

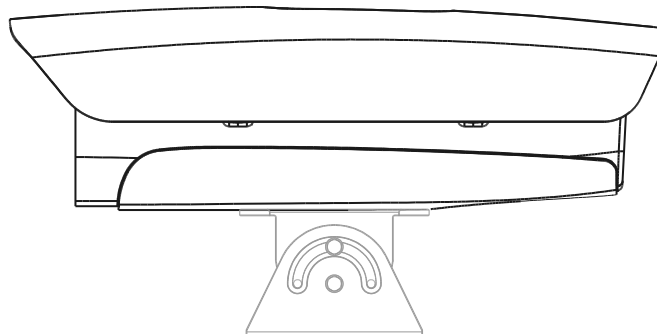
Model	DH-PFA160
General	
Material	Aluminum
Dimension (W x H x D)	100.6mm x120mm x85mm
Pipe Thread	N/A
Operating Temperature	-40°C ~60°C
Humidity	0~90% RH
Load Bearing	5.0Kg
Weight	0.3Kg
Applicable Model	PFH610N, PFH610N-IR, PFH610N-W

DH-PFA160

Dimensions (mm)



Application



Dahua Technology Co., Ltd.

1187 BinAn Road, Binjiang District, Hangzhou, China

Tel: +86-571-87688883

Fax: +86-571-87688815

Email: overseas@dahuatech.com

www.dahuasecurity.com

*Design and specifications are subject to change without notice.

© 2013 Dahua Technology Co., Ltd.