

## Datasheet

# METAL Range - Robust Access Tag Credentials

### Product Description

CDVI offers a variety of access control credentials with different technologies (125 kHz proximity, MIFARE® Classic or MIFARE® DESFire®). You'll find the ideal credentials to meet the needs of your installation.

The METAL and METAL1 are part of a complete range of robust tag credentials from CDVI to complement the reader technology chosen.

The METALD contains a RFID MIFARE® DESFire® EV2 (4K) chip, the ideal solution for any high security access control project. METALD integrates seamlessly into our user-friendly KRYPTO high security system.



### Key Features

- METALD: MIFARE® DESFire® EV2 4K (13.56 MHz) tag compatible with CDVI KRYPTO readers
- METAL: MIFARE® classic, 13.56 MHz CDVI encoding card
- METAL1: 125 kHz CDVI encoding card
- Robust tag credential
- Handy and easy to carry around
- Supplied in packs of 10

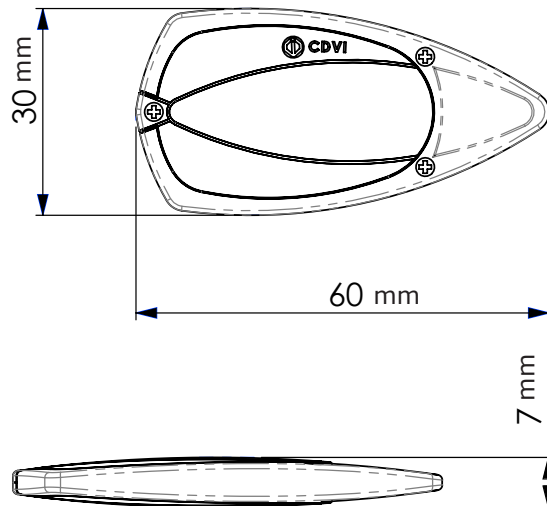
 Certification

 DEEE

**RoHS** Certification

## Product Specifications

<b>Material:</b>	Metal and polycarbonate case
<b>Technology:</b>	METALD: MIFARE® DESFire® EV2 4K METAL: MIFARE® Classic METAL1: Proximity
<b>Frequency:</b>	METALD: 13.56 MHz METAL: 13.56 MHz METAL1: 125 kHz
<b>Security level:</b>	METALD: High security METAL & METAL1: Standard
<b>Weight:</b>	18 g



## Range References

F0108000044	METALD	Robust MIFARE® DESFire® EV2 tag credential
F0108000033	METAL	Robust MIFARE® Classic tag credential
F0104000041	METAL1	Robust proximity tag credential