

DH-IPC-HFW1320S-W

3MP IR Mini-Bullet Wi-Fi Network Camera



- 1/3" 3Megapixel progressive CMOS
- H.264& MJPEG dual-stream encoding
- 20fps@3M(2304x1296)25/30fps@2M(1920x1080)
- DWDR, Day/Night(ICR), 3DNR, AWB, AGC, BLC
- Multiple network monitoring: Web viewer, CMS(DSS/PSS) & DMSS
- Wi-Fi support
- 2.8 mm fixed lens (3.6mm optional)
- Max IR LEDs Length 30m
- IP67



System Overview

The IR Megapixel Fixed Mini-Bullet camera delivers 3MP resolution with a choice of 2.8mm or 3.6mm lens options. The camera's elegant blend of aesthetics combined with its compact form factor provides an excellent choice for a variety of small to mid-size, indoor/outdoor applications at an affordable price

Functions

True Day/Night

A day/night mechanical IR cut filter makes this camera ideal for applications with fluctuating lighting conditions, delivering color images during the day and automatically switching to monochrome as the scene darkens

Smart IR

With IR illumination, detailed images can be captured in low light or total darkness. The camera's Smart IR technology adjusts to the intensity of camera's infrared LEDs to compensate for the distance of an object. Smart IR technology prevents IR LEDs from whiting out images as they come closer to the camera. The camera's integrated infrared illumination provides high performance in extreme low-light environments up to 30m (98ft).

Image flip

Capturing unnecessary data such as surrounding hallway walls can increase storage requirements without any added value. The image flip feature allows the camera's image to be rotated in 90° increments for better video optimization.

Protection

Supporting $\pm 10\%$ input voltage tolerance, this camera suits even the most unstable conditions for outdoor applications. Its 6KV lightning rating provides protection against the camera and its structure from the effects of lightning.

Technical Specification

Camera

Image Sensor	1/3" 3Megapixel progressive CMOS
Effective Pixels	2304(H) x1536(V)
RAM/ROM	256MB/16MB
Scanning System	Progressive
Minimum Illumination	0.1Lux/F2.0(Color), 0Lux/F2.0(IR on)
S/N Ratio	More than 50dB
IR Distance	Distance up to 30m(98ft)
IR On/Off Control	Auto/ Manual
IR LEDs	24

Lens

Lens Type	Fixed
Mount Type	Board-in
Focal Length	2.8 mm (3.6 mm optional)
Max. Aperture	F2.0/F2.0
Angle of View	H:100°/77°, V:55°/42°
Focus Control	Fixed
Close Focus Distance	N/A

PTZ

Pan/Tilt Range	Pan:0° ~360° ;Tilt:0° ~90° ;Rotation:0° ~360°
----------------	---

Video

Compression	H.264/H.264B/H.264H/MJPEG
Streaming Capability	2 Streams
Resolution	3M(2304×1296)/1080P(1920×1080)/ 1.3M(1280×960)/720P(1280×720)/720P(1280×720)/VGA(640×480)/QVGA(320×240)
Frame Rate	3M(1 ~ 20fps)/2M (1 ~ 25/30fps) VGA(1 ~ 25/30fps)
Bit Rate Control	CBR/VBR
Bit Rate	H264:32K ~ 10Mbps
Day/Night	Auto(ICR) / Color / B/W
BLC Mode	BLC / HLC / DWDR

White Balance	Auto/Natural/Street Lamp/Outdoor/Manual
Gain Control	Auto/Manual
Noise Reduction	3D DNR
Motion Detection	Off / On (4 Zone, Rectangle)
Electronic Image	Support
Smart IR	Support
Digital Zoom	16x
Flip	0°/90°/180°/270°
Mirror	Off / On
Privacy Masking	Off / On (4 Area, Rectangle)

Audio

Compression	N/A
-------------	-----

Network

Ethernet	RJ-45 (10/100Base-T)
Wi-Fi	Wi-Fi(IEEE802.11b/g/n),50m(open field)
Protocol	HTTP;HTTPS;TCP;ARP;RTSP;RTP;UDP;SMTP;FTP;DHCP;DNS;DDNS;IPv4/v6;QoS;UPnP;NTP;Bonjour;Multicast;IGMP;ICMP;
Interoperability	PSIA, CGI
Streaming Method	Unicast / Multicast
Max. User Access	10 Users/20 Users
Edge Storage	NAS(Network Attached Storage) Local PC for instant recording, Micro SD Card 128GB
Web Viewer	IE, Chrome, Firefox, Safari
Management Software	Smart PSS, DSS, Lechange
Smart Phone	iOS, Android

Certifications

Certifications	CE (EN 60950:2000) UL:UL60950-1 FCC: FCC Part 15 Subpart B
----------------	--

Interface

Video Interface	N/A
Audio Interface	N/A
RS485	N/A
Alarm	N/A

Electrical

Power Supply	DC12V
Power Consumption	<4.4W

Environmental

Operating Conditions	-10° C ~ +50° C (14° F ~ +122° F) / Less than 95% RH
Storage Conditions	-10° C ~ +50° C (14° F ~ +122° F) / Less than 95% RH
Ingress Protection	IP67
Vandal Resistance	N/A

Construction

Casing	Metal+Plastic
Dimensions	Φ70mm×164.7mm(2.76"×6.49")
Net Weight	0.43Kg (0.95lb)
Gross Weight	0.52Kg (1.158lb)

Ordering Information

Type	Part Number	Description
3MP camera	DH-IPC-HFW1320SP-W-0280B	3MP Wi-Fi IR Mini-Bullet Camera, 2.8mm,PAL
	DH-IPC-HFW1320SN-W-0280B	3MP Wi-Fi IR Mini-Bullet Camera, 2.8mm,NTSC
	IPC-HFW1320SP-W-0280B	3MP Wi-Fi IR Mini-Bullet Camera, 2.8mm,PAL
	IPC-HFW1320SN-W-0280B	3MP Wi-Fi IR Mini-Bullet Camera, 2.8mm,NTSC
	DH-IPC-HFW1320SP-W-0360B	3MP Wi-Fi IR Mini-Bullet Camera, 3.6mm,PAL
	DH-IPC-HFW1320SN-W-0360B	3MP Wi-Fi IR Mini-Bullet Camera, 3.6mm,NTSC
	IPC-HFW1320SP-W-0360B	3MP Wi-Fi IR Mini-Bullet Camera, 3.6mm,PAL
Accessories (optional)	PFA134	Junction box
	PFA150	Pole mount

Accessories

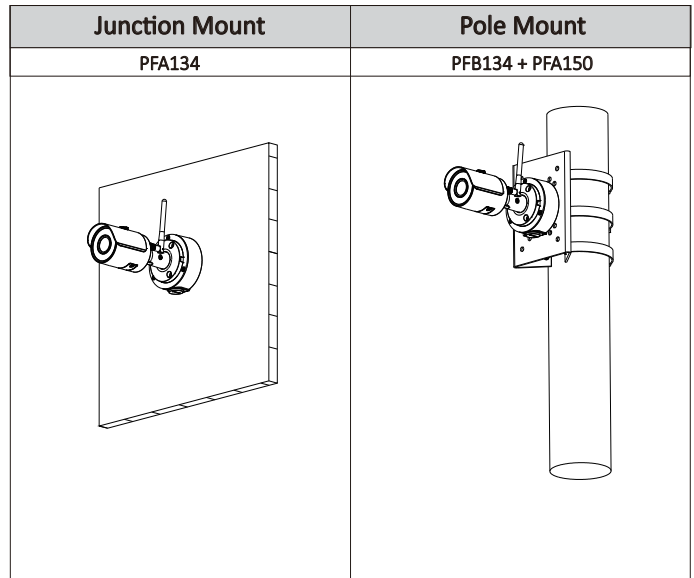
Optional:



PFA134 Junction Box



PFA150 Pole Mount



Dimensions (mm/inch)

