

DH-HAC-ME1809TQ-A-PV

4K Smart Dual Light TiOC HDCVI Eyeball Camera



System Overview

The Active Deterrence Series offers a multi-dimensional system that links surveillance videos to alarms, audio prompts and various types of information to assist with verifying potential risks. Cameras in this series actively warn off intruders with light and sound, while keeping you up to date of events in real-time through alarm-over-coax and its live view.

Functions

Smart Dual Light

With its smart dual light mechanism, the camera automatically turns on the white light when Perimeter Protection/SMD Plus function of AI XVR detects a target in the rule area to capture clear, vivid images. When the target leaves the rule area, the camera automatically switches over from the white light to the IR light to significantly reduce light pollution.

Wide Dynamic Range

With its advanced Wide Dynamic Range technology (WDR), the camera captures highly detailed images and produces high-definition recordings in high-contrast lighting conditions, and in scenes with backlighting or shadows.

Broadcast-quality Audio

Audio signal transmission over coaxial cables is supported by the HDCVI camera. It adopts a unique audio processing and transmission technology that restores source audio and eliminates noise, ensuring the quality and reliability of the audio information that is collected. This becomes important for video surveillance applications that use audio information as a type of supplementary evidence.

Active Deterrence (Red-Blue Light)

Designed with active deterrence technology, the camera turns on a siren and a red-blue light that flashes in intervals to deter and warn off intruders. The siren has customizable settings.

* The parameters and datasheets below can only be applied to ME1809-S2 series. Intelligent Voice Alarm function which can be used with Scheduled AI of AI XVR is only available for TiOC 2.0 camera.
* In order to use the Smart Dual Light HDCVI camera, the firmware of XVR must be upgraded to V4.001.0000004.1.R.220323 or later version.

- Max 15 fps@4K.
- 120 dB true WDR, 3D NR.
- Smart Dual Light.
- Protection Against Red-Blue Light Interference (Only 4K).
- Active deterrence with red blue light, siren and alarm out interface.
- 40 m illumination distance.
- Super Adapt.
- Built-in mic.
- 3.6 mm fixed lens (2.8 mm optional).
- CVI/CVBS/AHD/TVI switchable.
- IP67, 12 VDC.
- Quick-to-install eyeball saves installation time.



Super Adapt

With its intelligent algorithm, the camera automatically adjusts its parameters to provide optimal performance and vivid images.

Protection Against Red-Blue Light Interference

Leveraging smart exposure technology, the camera uses the CMOS image sensor to exercise time-sharing control over image capture and the red and blue lights to eliminate interference by switching off the lights when pictures are being taken.

Advanced 3DNR

Dahua's advanced 3DNR technology reduces image noise with little to no impact on image sharpness, especially in poor lighting conditions. It detects the noise, and compares the sequential frames to effectively reduce the noise. It also makes efficient use of bandwidth, saving on storage space.

Protection (IP67, Wide Voltage)

IP67: The camera passed a series of rigorous dust and immersion tests. Its enclosure is both dust-proof and waterproof, and can function normally while being immersed in 1 m deep water for up to 30 minutes.
Wide voltage: The camera has $\pm 30\%$ input voltage tolerance (for some power supplies) and a wide voltage range, making it suitable for a variety of outdoor scenarios.

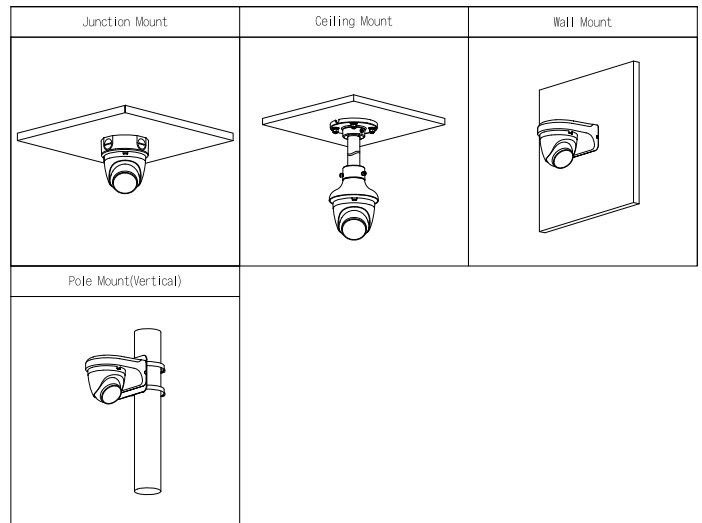
Easy Installation

The camera comes with an easy-to-install eyeball and pedestal, that cuts down on installation time and cost, outranking conventional eyeballs.

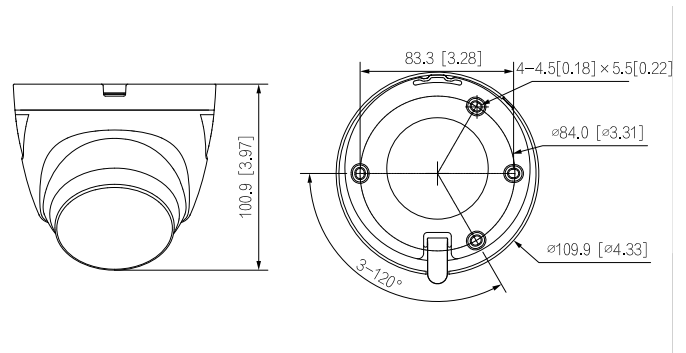
| Technical Specification | | | | | |
|----------------------------|--|---------------------|--------------------|-------------------|-------------------|
| Camera | | | | | |
| Image Sensor | 4K CMOS | | | | |
| Max. Resolution | 3840 (H) × 2160 (V) | | | | |
| Scanning System | Progressive | | | | |
| Electronic Shutter Speed | PAL: 1/3 s–1/100000 s NTSC: 1/4 s–1/100000 s | | | | |
| Min. Illumination | 0.001 lux@F1.0 (Color, 30 IRE) 0.0001 lux@F1.0 (B/W, 30 IRE) 0 lux (Illuminator on) | | | | |
| S/N Ratio | >65 dB | | | | |
| Illumination Distance | IR: 40 m (131.23 ft) Warm Light: 40 m (131.23 ft) | | | | |
| Illuminator On/Off Control | Auto/Manual | | | | |
| Illuminator Number | 2 (Warm light); 2 (IR light) | | | | |
| Pan/Tilt/Rotation Range | Pan: 0°–360° Tilt: 0°–78° Rotation: 0°–360° | | | | |
| Lens | | | | | |
| Lens Type | Fixed-focal | | | | |
| Auto Focus | No | | | | |
| Lens Mount | M12 | | | | |
| Focal Length | 2.8 mm; 3.6 mm | | | | |
| Max. Aperture | F1.0 | | | | |
| Field of View | 2.8 mm: H: 106°; V: 55°; D: 125° 3.6 mm: H: 85°; V: 45°; D: 100° | | | | |
| Iris Control | Fixed | | | | |
| Close Focus Distance | 2.8 mm: 2.0 m (6.56 ft) 3.6 mm: 2.8 m (9.19 ft) | | | | |
| DORI Distance | Lens | Detect | Observe | Recognize | Identify |
| | 2.8 mm | 91.0 m (298.56 ft) | 36.4 m (119.42 ft) | 18.2 m (59.71 ft) | 9.1 m (29.86 ft) |
| | 3.6 mm | 107.6 m (353.02 ft) | 43.0 m (141.08 ft) | 21.5 m (70.54 ft) | 10.8 m (35.47 ft) |
| Video | | | | | |
| Video Frame Rate | CVI: PAL: 4k@15 fps; 5M@25 fps; 4M@25 fps; NTSC: 4k@15 fps; 5M@25 fps; 4M@30 fps; AHD: PAL: 4K@15 fps; NTSC: 4K@15 fps; TVI: PAL: 4K@15 fps; NTSC: 4K@15 fps; CVBS: PAL: 960H; NTSC: 960H | | | | |
| Resolution | 4K (3840 × 2160); 5M (2880 × 1620); 4M (2560 × 1440); 960H (960 × 576/960 × 480) | | | | |
| Day/Night | Auto(ICR)/Color/B/W | | | | |
| BLC | BLC; HLC; WDR; HLC-Pro | | | | |
| WDR | 120 dB | | | | |
| White Balance | Auto; Area white balance | | | | |
| Gain Control | Auto/Manual | | | | |
| Noise Reduction | 3D NR | | | | |
| Illumination Mode | Smart IR&WL; WL Mode; IR Mode | | | | |
| Defog | Electronic defog | | | | |
| Digital Zoom | 4× | | | | |
| Mirror | Yes | | | | |
| Privacy Masking | Off/On (8 areas, rectangle) | | | | |
| Active Deterrence | | | | | |
| Sound Warning | Audio 1: alarm Audio2: No parking here Audio3: Private land no entry. Audio4: Warning zone keep off Audio5: Welcome Volume: high/medium/low; duration: 5 s–60 s; 110 dB | | | | |
| Red/Blue Light Warning | Flash: 5 s–60 s; frequency: high/medium/low | | | | |
| Certification | | | | | |
| Certifications | CE (EN55032:2015, EN61000-3-2:2014, EN61000-3-3:2013, EN55024:2010+A1:2015, EN55035:2017, EN50130-4:2011+A1:2014, EN62368-1:2014+A11:2017) FCC (CFR 47 FCC Part 15 subpartB, ANSI C63.4-2014) UL (UL62368-1+CAN/CSA C22.2 No.62368-1-14) | | | | |
| Port | | | | | |
| Video Output | Video output choices of CVI/TVI/AHD/CVBS by one BNC port | | | | |
| Audio Input | One channel built-in mic | | | | |
| Alarm Output | 1 channel | | | | |
| Power | | | | | |
| Power Supply | 12 VDC ± 30% (It is recommended to use a power adapter to supply the power for one camera) | | | | |
| Power Consumption | Max 10.45 W (12 VDC, IR on) | | | | |
| Environment | | | | | |
| Operating Temperature | –40 °C to +60 °C (–40 °F to +140 °F) | | | | |
| Operating Humidity | <95% (RH), non-condensing | | | | |
| Storage Temperature | –40 °C to +60 °C (–40 °F to +140 °F) | | | | |
| Storage Humidity | <95% (RH), non-condensing | | | | |
| Protection | IP67 | | | | |
| Anti-corrosion Level | Low | | | | |
| Structure | | | | | |
| Casing Material | Dome (metal + plastic) + plastic enclosure | | | | |
| Product Dimensions | Φ109.9 mm × 100.9 mm (Φ4.33" × 3.97") | | | | |
| Net Weight | 0.35 kg (0.77lb) | | | | |
| Gross Weight | 0.53 kg (1.17 lb) | | | | |
| Installation | Wall mount; ceiling mount; vertical pole mount | | | | |

Ordering Information

| Type | Model | Description |
|------------------------|-------------------------|---|
| 4K Camera | DH-HAC-ME1809TQP-A-PV | 4K Smart Dual Light TiOC HDCVI Eyeball Camera |
| | DH-HAC-ME1809TQN-A-PV | 4K Smart Dual Light TiOC HDCVI Eyeball Camera |
| Accessories (Optional) | PFA13G | Junction Box |
| | PFA152-E | Pole Mount Bracket |
| | PFB205W-E | Wall Mount Bracket |
| | PFA109 | Mount Adapter |
| | PFB220C | Ceiling Mount Bracket |
| | PFM800-4K | 1-CH Passive Video Balun |
| | PFM321D | 12VDC Power Adapter |
| PFM904 | Integrated Mount Tester | |



Dimensions (mm [inch])



Accessories

Optional:



PFA13G
Junction
Box



PFA152-E
Pole Mount
Bracket



PFB205W-E
Wall Mount
Bracket



PFA109
Mount
Adapter



PFB220C
Ceiling Mount
Bracket



PFM800-4K
1-CH Passive Video
Balun



PFM321D
12VDC Power
Adapter



PFM904
Integrated Mount
Tester