

Datasheet

DOOR AUTOMATION/ DWP-S102U, Universal arm

Product description

The DIGIWAY Plus offers a high quality and high performance product to automate single and double swing-doors.

DIGIWAY is an up-to-date door automation solution, with a LCD programming display, counting a vast selection of advanced settings to suit your installation. Now includes the new arm (DWAA), giving more installation flexibility including installation to thicker walls for outward opening doors.

Suitable for people with reduced mobility, the DIGIWAY Plus is the answer for residential disabled adaptation and care homes.



Key features


- LCD menu for easy set up
- Fully automatic (motor return)
- Bluetooth plug-in for programming via smartphone app
- Universal arm for inward or outward opening included
- Compatible with CDVI transmitters

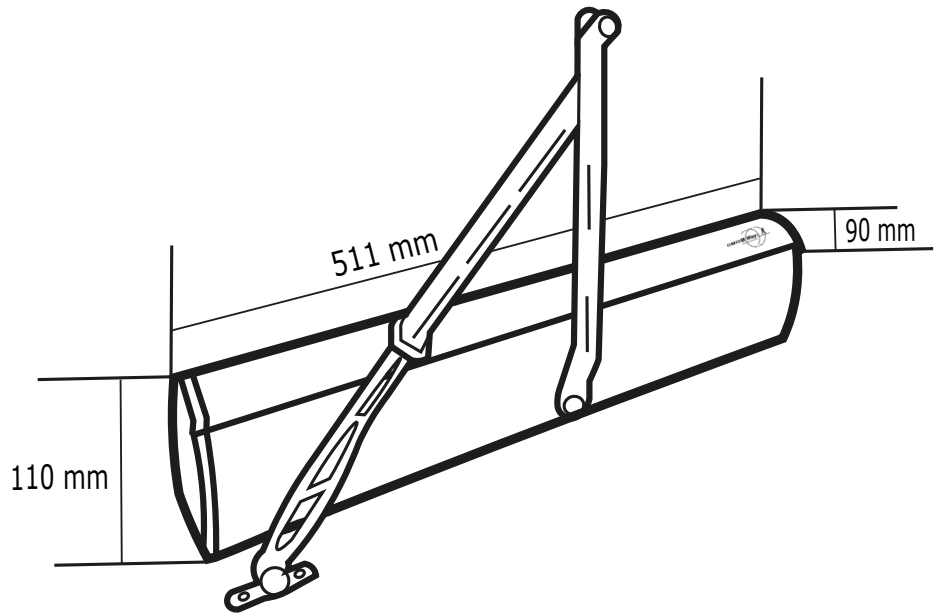
 *Certification*

 *DEEE*

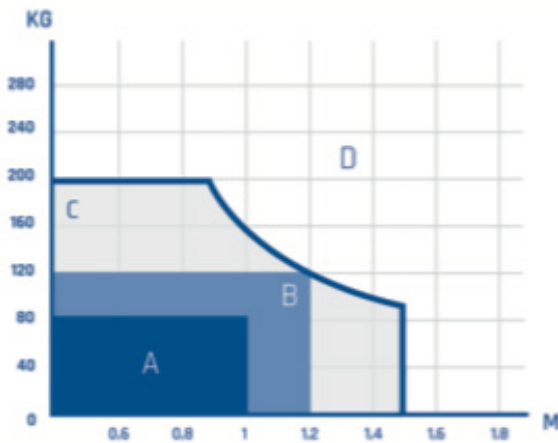
 *Certification*

 *IP22*

 *-10°C to 55°C*



Usage



- Zone A:** Very intensive use (600 cycles/day)
- Zone B:** Intensive use (200-300 cycles/day)
- Zone C:** Use with reduced speed
- Zone D:** Do not use

Product Information

Transmitter Memory: 50

Transmitter Encoding: Keeloq® Hopping Code

Electrical Specifications

Power supply: 230Vac, 50Hz

Motor power: 33W

Motor voltage: 24Vdc

Battery: 12Vdc, 1.3AH