

DSE1-PW SOUNDER WITH REMOTE POWER SUPPLY INSTALLATION MANUAL

INTRODUCTION

DSE1-PW sounder description: remote-supplied 24Vdc sounder with high-brightness, low consumption LED flashing unit – programmable alarms and timings – flash and sound inputs programmable separately – electronic circuit protected against polarity inversion thanks to a special resin immersion process.

Three inputs with different sounds for a better distinction of the alarm stages, input for sound synchronism. Six available sounds.

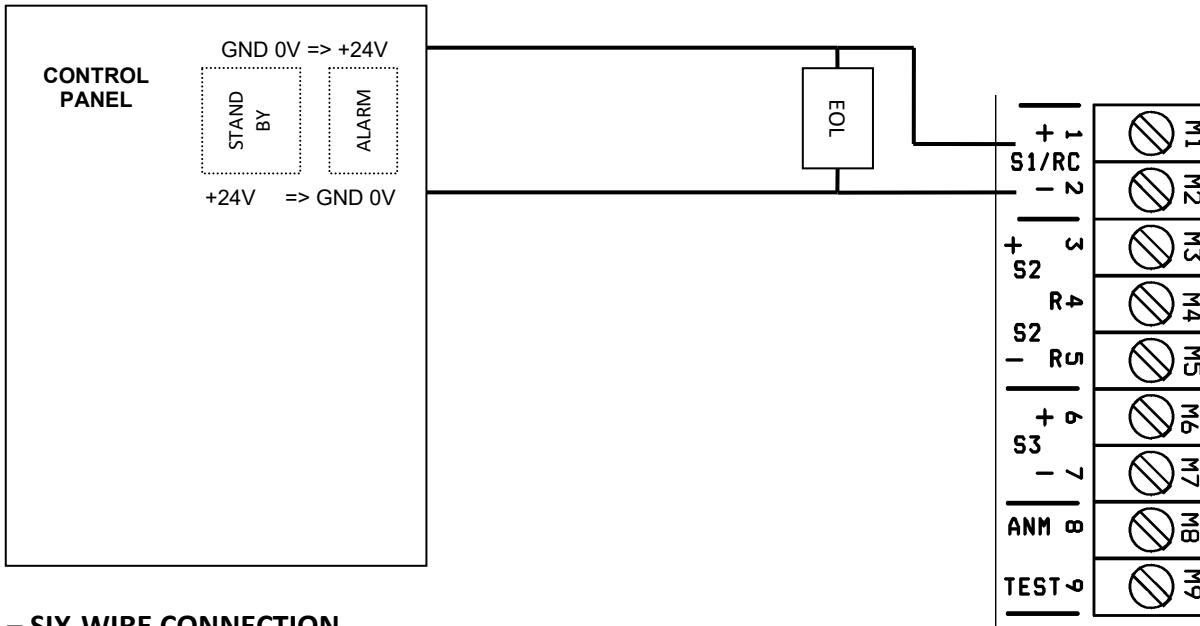
Note: To open the sounder, push downwards and outwards at the same time the flash cover and unscrew the screw.



TECHNICAL DATA		
Voltage, Current, Power	Nominal Voltage supply	24 Vdc
	Operating range	20 - 30 Vdc
	Max. current	450mA @ Vdc=24V
	Max Power consumption	11W
Sound current		from 60mA to 400mA (programmable – see Chart 6: AVERAGE CURRENT SELECTION)
Flash current		40 mA ± 10 mA
Main sound frequency	S1	850Hz
Main sound pattern	S1	Decay from 1.200Hz to 500Hz period 1,7s
Sound pressure		See diagram 1
LED flash duration		1.000.000 flashes
Protection degree		IP 44
Environmental degree		IV (outdoor)
Operating temperature		from -25° to +55° C
Timing		Programmable (see chart)
Command from the control panel		Polarity inversion
Size		330x210x115 (H x L x D)
Weight		2.300 gr
Standards		EN 54-3: 2001 + A1: 2002 + A2: 2006.

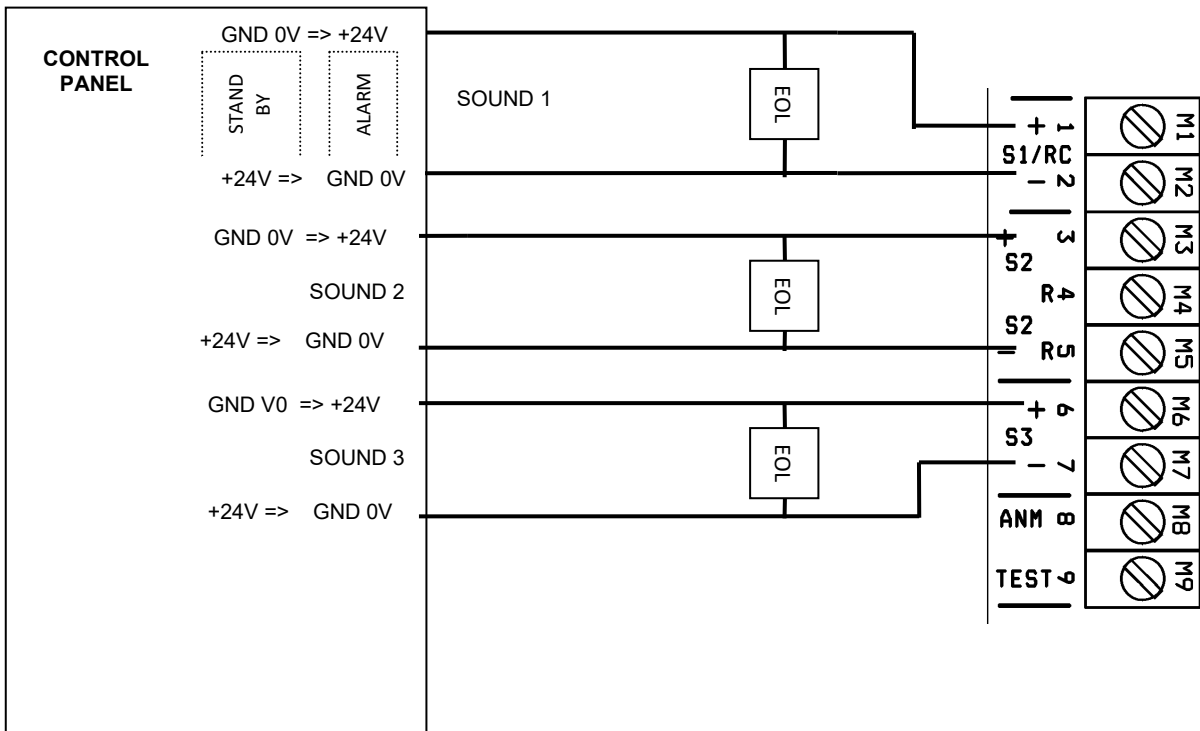
A – TWO-WIRE CONNECTION

Connect the 24V power supply from the control panel to each terminal:



B – SIX-WIRE CONNECTION

Connect the lines output to each terminal:



DIP-SWITCH SETTING and TERMINALS

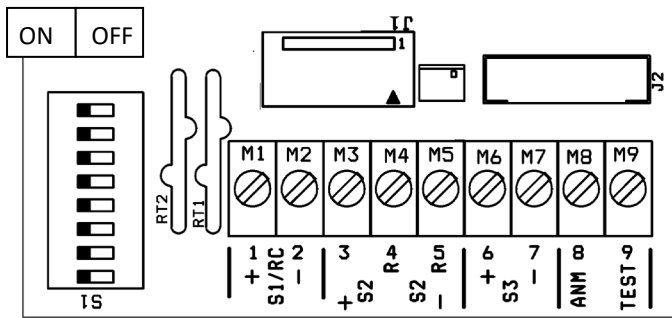


CHART 1

Terminals	Connections
+ S1/RC (1)	Sound control 1: 24V = sound, 0V = silent
- S1/RC (2)	Sound control 1: 0V = sound, 24V = silent
+S2 (3)	Sound control 2: 24V = sound, 0V = silent
R (4)	Not Connected. Free to use
-S2 R (5)	Sound control 2: 0V = sound, 24V = silent
+ S3 (6)	Sound control 3: 24V = sound, 0V = silent
- S3 (7)	Sound control 3: 0V = sound, 24V = silent
ANM (8)	Synchronism
TEST (9)	LED Control see DIP 3

CHART 2

DIP	Function
DIP1	Alarm timing
DIP2	Alarm timing
DIP3	Flash control
DIP4	LED mode
DIP5	Sound pattern selection
DIP6	Power set-up
DIP7	Power set-up
DIP8	OFF – Do not modify

CHART 3: SOUNDER TIMING

DIP 1	DIP 2	ALARM TIMING
OFF	OFF	INFINITE (BY DEFAULT, COMPLYING TO EN54-3)
ON	OFF	3 MINUTES (NOT COMPLYING TO EN54-3)
OFF	ON	(8 MINUTES (NOT COMPLYING TO EN54-3)
ON	ON	15 MINUTES (NOT COMPLYING TO EN54-3)

CHART 4: FLASHING SELECTION

DIP 3	FLASH CONTROL
OFF	FLASH CONTROLLED BY ALARM INPUTS
ON	FLASH CONTROLLED BY M9 TEST INPUT

CHART 5: LED FLASHING UNIT

DIP4	LEDs MODE
OFF	STEADY ON
ON	FLASHING

CHART 6: AVERAGE CURRENT SELECTION ONLY SOUND [Average (Peak) mA]. With FLASHING add 80mA to the value on the chart

DIP 6	DIP 7	AVERAGE CONSUMPTION	DIP 5 OFF			DIP 5 ON		
			S1	S2	S3	S1	S2	S3
			DIN33 Falling (500-1150Hz)	NFS32 dual tone (440-554Hz)	ISO8021 - 3 pulses + pause (515Hz)	BS5839 Dual Tone (500-1000Hz)	NEN2575 rising + pause (500-1200Hz)	Continuous (625Hz)
OFF	OFF	100mA	60 (110 peak)	95 (95 peak)	60 (100 peak)	70 (100 peak)	70 (100 peak)	85 (90 peak)
ON	OFF	200mA	120 (180 peak)	150 (160 peak)	130 (210 peak)	200 (255 peak)	160 (285 peak)	180 (180 peak)
OFF	ON	400mA	250 (350 peak)	330 (370 peak)	250 (425 peak)	370 (470 peak)	290 (520 peak)	325 (350 peak)

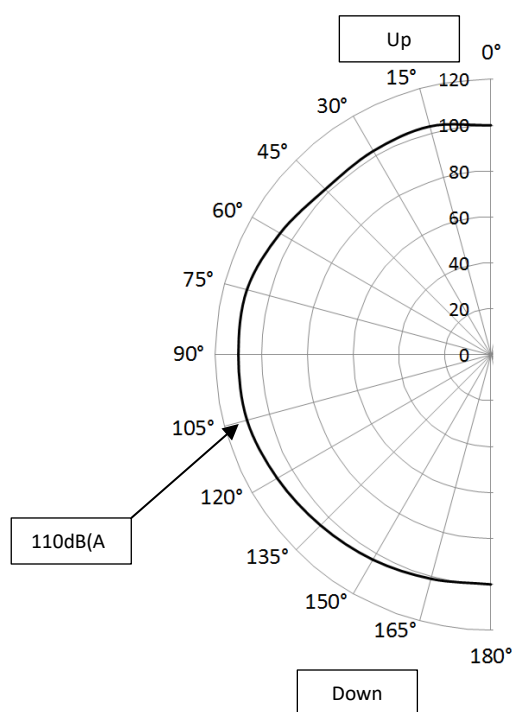
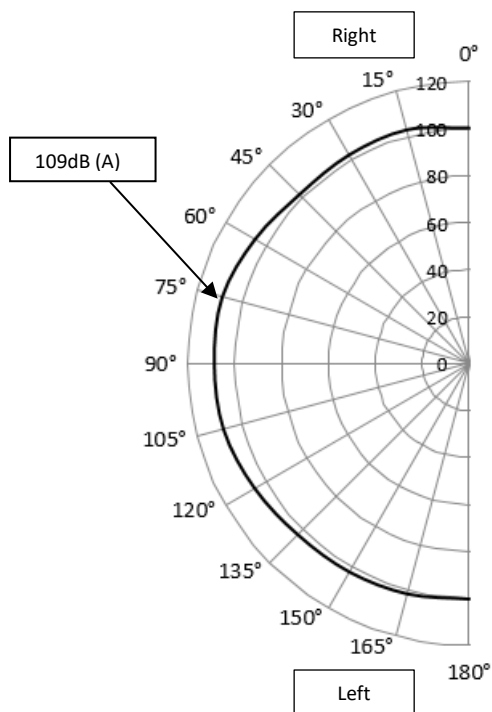
Diagram 1

DSE1-PW horizontal	DIP 5 OFF 6 OFF 7 OFF			DIP 5 ON 6 OFF 7 OFF		
	100mA			100mA		
	S1	S2	S3	S1	S2	S3
	min dB(A) @1m	min dB(A) @1m	min dB(A) @1m	min dB(A) @1m	min dB(A) @1m	min dB(A) @1m
15	94,72	98,48	94,78	87,71	92,14	83,46
45	93,30	93,65	94,90	86,61	90,82	84,99
75	98,08	99,72	99,95	91,30	95,84	87,97
105	97,89	97,91	98,85	90,23	95,63	88,09
135	92,70	93,10	90,38	83,46	90,38	84,81
165	96,95	100,54	96,66	87,88	94,40	83,60

DSE1-PW vertical	DIP 5 OFF 6 OFF 7 OFF			DIP 5 ON 6 OFF 7 OFF		
	100mA			100mA		
	S1	S2	S3	S1	S2	S3
	min dB(A) @1m	min dB(A) @1m	min dB(A) @1m	min dB(A) @1m	min dB(A) @1m	min dB(A) @1m
15	92,54	96,12	93,56	87,40	90,84	90,79
45	96,74	98,44	95,44	86,84	95,24	88,14
75	99,91	102,54	100,95	93,29	95,38	91,09
105	99,23	102,07	100,56	92,62	97,36	90,54
135	96,62	98,12	97,29	89,23	94,98	92,22
165	93,31	88,15	92,04	85,68	91,50	87,44

DSE1-PW horizontal	DIP 5 OFF 6 OFF 7 ON			DIP 5 ON 6 OFF 7 ON		
	400mA			400mA		
	S1	S2	S3	S1	S2	S3
	min dB(A) @1m	min dB(A) @1m	min dB(A) @1m	min dB(A) @1m	min dB(A) @1m	min dB(A) @1m
15	103,36	106,95	103,65	101,07	106,53	92,97
45	100,77	101,90	103,64	100,95	102,55	95,36
75	105,99	107,62	109,13	105,73	108,50	99,36
105	106,09	104,72	108,09	104,90	107,88	99,24
135	99,96	98,66	99,21	95,64	102,17	95,38
165	104,86	107,82	105,84	102,50	106,76	95,90

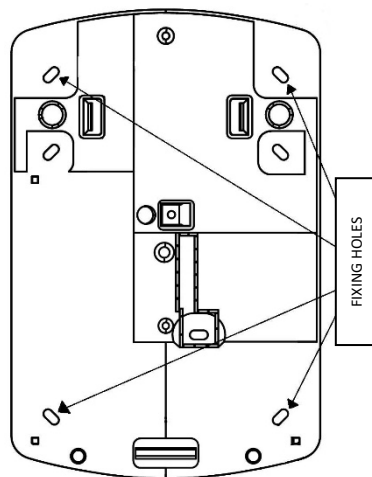
vertical	DIP 5 OFF 6 OFF 7 ON			DIP 5 ON 6 OFF 7 ON		
	400mA			400mA		
	S1	S2	S3	S1	S2	S3
	min dB(A) @1m	min dB(A) @1m	min dB(A) @1m	min dB(A) @1m	min dB(A) @1m	min dB(A) @1m
15	100,52	104,20	103,66	100,48	103,39	89,20
45	104,54	105,44	101,94	99,44	107,24	100,84
75	109,22	110,45	110,05	107,00	110,39	100,42
105	107,44	110,12	110,15	106,16	110,27	102,93
135	104,46	105,38	104,77	101,92	107,21	115,32
165	101,19	95,20	100,77	97,65	104,55	101,54



Note:

When Synchronism is used, the same "Alarm Timing" and "Sound pattern Selection" in every sounder connected must be used.

SOUNDER INSTALLATION



1. Fasten the sounder to the wall.
2. Insert the connection cables through the holes located on the base.
3. If required, modify the default settings by adjusting the dip switches as indicated in the charts above.
4. Connect the power supply to the control panel.
5. Close the internal and external covers with the screws provided.

WARNING: The power supply must be of SELV type.

Note: to avoid formation of condensation inside the sounder, any air flow must be avoided. Once the cables have been connected, seal the hole using some silicone. This operation will prevent the warm and humid air of the building from forming condensation inside the sounder during winter time, thus avoiding the risk of malfunctioning.



1293

Notifier s.r.l. Via A: Grandi, 22, 20097 S. Donato Milanese (MI) Italy

17

DoP 1293 - CPR - ----

EN54-3

DSE1-PW - FIRE ALARM SOUNDER

Intended for use in fire detection and fire alarm systems in and around buildings

TYPE B: for outdoor use

Other technical data: see the supplier's technical dossier.



WASTING:
This product must be wasted in appropriate wheelle-bin for electric and electronic materials.
Do not put in weelle-bin for other kind of waste.

Essential characteristics	Performance
Performance under fire conditions	Pass
Operational reliability	Pass
Durability of operational reliability and response delay, temperature resistance	Pass
Durability of operational reliability, humidity resistance	Pass
Durability of operational reliability, shock and vibration resistance	Pass
Durability of operational reliability, corrosion resistance	Pass
Durability of operational reliability, electrical stability	Pass
Durability of operational reliability, resistance to ingress	Pass

DoP available on web site www.notifier.it

Numero Assistenza Tecnica: 039-9301410

Warranty: All Notifier products have 1 year warranty.

ATTENTION:

Please note that all installation indications here above must be carefully respected to prevent the device from losing its standard compliance.

NOTIFIER ITALIA S.r.l. - A socio unico - 20097 San Donato Milanese (MI) - Via Grandi, 22 - Tel.: 02/518971 - Fax: 02/5189730 - E-mail: _notifier@notifier.it
www.notifier.it - Capitale Sociale € 2.700.000,00 i.v. - C.C.A.A. 1456164 - Trib. Milano Reg. Soc. 348608 - Vol. 8549 Fasc. 8 - Codice Fiscale 05108880153 - Partita IVA IT 11319700156 (informativa privacy art. 3 Digs 196/03) - Uffici Regionali: 10095 Grugliasco (TO) - Via Don Caustico, 123 - Tel.: 011/0650611 - Fax: 011/4531183 - E-mail: _notifier.torino@notifier.it - 35010 Limena (PD) Via IV Novembre, 6/c Int. 9 - Tel.: 049/7663511 - Fax: 049/7663550 - E-mail: _notifier.padova@notifier.it - 40050 Funo di Argelato (BO) - Asta Servizi, Bl. 3B, Gall. B n. 85, Centergross - Tel.: 051/0432211 - Fax: 051/6647638 - E-mail: _notifier.bologna@notifier.it - Roma - Via Del Casale Santarelli, 51 - Tel.: 06/7988021 - Fax: 06/79880250 - E-mail: _notifier.roma@notifier.it - 80143 Napoli - Palazzo Prof. Studi - Centro Direzionale, Isola E2, Scala B, Piano 5° - Tel.: 081/19493111 - Fax: 081/7879159 - E-mail: _notifier.napoli@notifier.it - 95126 Catania - Viale Alcide De Gasperi, 187 - Tel.: 095/2279511 - Fax: 095/7120753 - E-mail: _notifier.catania@notifier.it

www.notifier.it

Tutti i dati sono soggetti a cambiamento senza preavviso. Tutti i diritti di questa pubblicazione sono riservati.



SISTEMA GESTIONE QUALITÀ
E AMBIENTE CERTIFICATI
UNI EN ISO 9001:2015
UNI EN ISO 14001:2015