

DH-PFH610V Series

14" Vandal-proof Housing



Features

- 14" housing, provides all-weather protection for box cameras and lens;
- All-aluminum shell design, IP67, IK10, 14" housing with different function modules: Built-in heating and cooling system, windows adopt water-proof films, 0-100m IR, built-in PoE module and support remote control of IR light by RS485;
- Aesthetic design.

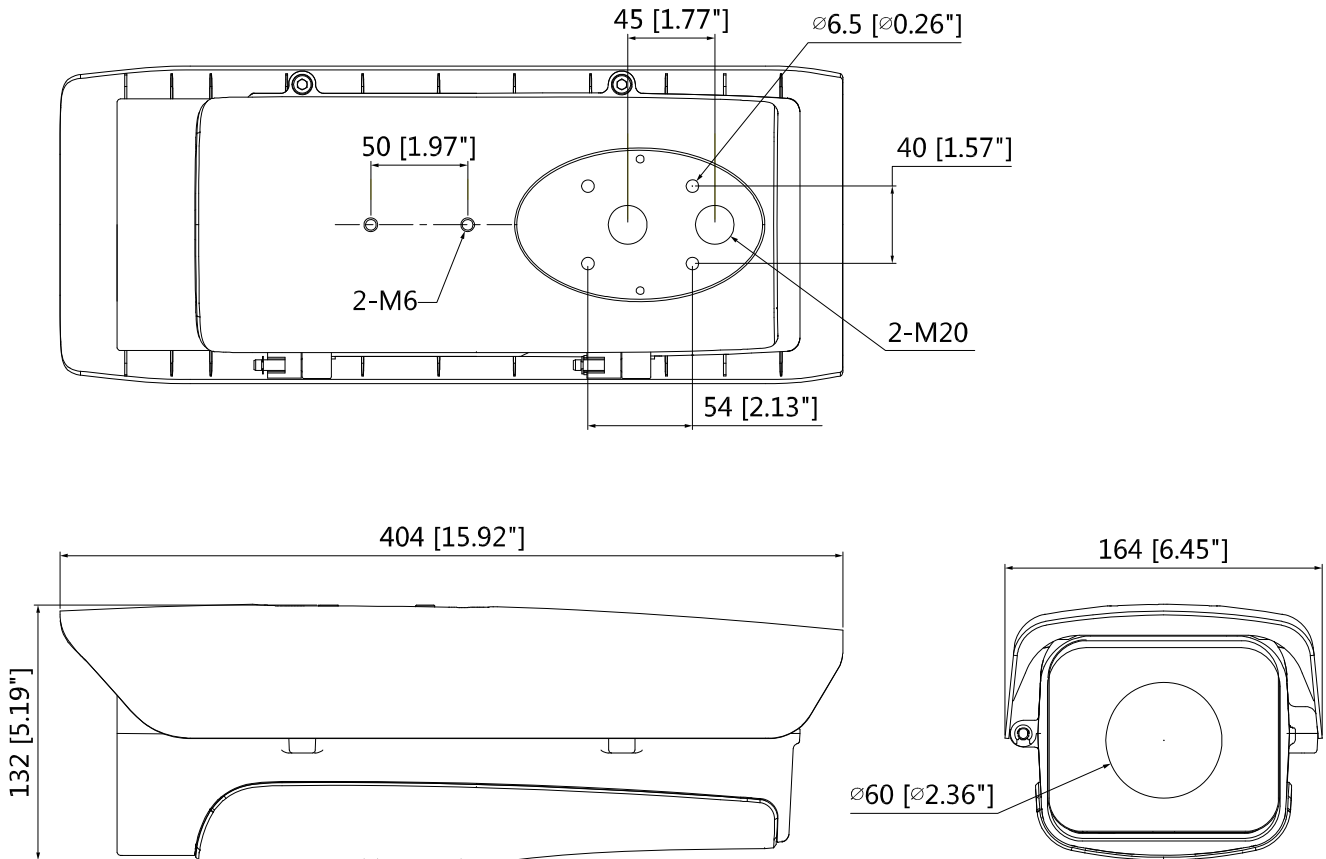
Technical Specifications

| Model | PFH610V | PFH610V-H | PFH610V-H-POE | PFH610V-IR | PFH610V-IR-POE |
|------------------------------------|--------------------------------------|---|---|------------------------|--|
| General | | | | | |
| Inside Dimension (LxWxH) | 215x90x83mm (8.46"x3.54"x3.27") | 255x90x70.5mm(10.04"x3.54"x2.78") 215x90x83mm(8.46"x3.54"x3.27") | | | |
| Window Dimension | φ60mm(φ2.36") | | | | |
| Operating Temperature | Set | -30°C ~+60°C (-22°F ~+140°F) | -40°C ~+60°C(-40°F ~+140°F) | | |
| | Heater | N/A | ON: 5±5 °C /OFF: 15±5 °C | | ON: <+5°C(+41°F) /OFF: ≥+5°C(+41°F) |
| | Cooler | N/A | ON: 37±5 °C /OFF: 20±5 °C ON: 5±5 °C /OFF: 15±5 °C | | ON: ≥37°C(98.6°F) /OFF: <20°C(68°F) |
| IR Distance | N/A | | 0~100m(0~328.08ft) | | |
| RS485 Control | N/A | | Yes, use RS485 to control IR light | | |
| Power Supply | DC12V, AC24V (just for camera) | AC24V/3A | POE+ | AC24V/5A | POE+ |
| Power Consumption (without camera) | N/A | 30W | 12W | 55W | 12.5W |
| Environmental | | | | | |
| Operating Temperature | -30°C ~60°C (-22°F ~+140°F) | -40°C ~60°C (-40°F ~+140°F) | | | |
| Humidity | <90% RH | | | | |
| Ingress Protection | IP67 | | | | |
| Vandal Resistance | IK10 | | | | |
| Corrosion Protection | N/A | | | | |
| Construction | | | | | |
| Material | Aluminum(case)&PC(others) | | | | |
| Dimension(LxWxH) | 404mmx164mmx132mm(15.91"x6.46"x5.2") | | | | |
| Weight | 2.5kg(5.51lb) | 2.7kg(5.95lb) | 3.0kg(6.61lb) | 3.0kg(6.61lb) | 3.2kg(7.05lb) |
| Others | | | | | |
| Certification | CE, FCC, ICES | CE, FCC, UL, EAC, ICES | CE, FCC | CE, FCC, UL, EAC, ICES | CE, FCC, ICES |
| Applicable Model | Please see "Accessory Selection" | | | | |

Order Information

| Type | Part Number | Description |
|-------------------|-------------------|---|
| Housing Series | DH-PFH610V | 14" vandal-proof housing, IP67, IK10, without any modules |
| | PFH610V | 14" vandal-proof housing, IP67, IK10, without any modules |
| | DH-PFH610V-H | 14" vandal-proof housing, IP67, IK10, heater |
| | PFH610V-H | 14" vandal-proof housing, IP67, IK10, heater |
| | DH-PFH610V-H-POE | 14" vandal-proof housing, IP67, IK10, heater, POE+ |
| | PFH610V-H-POE | 14" vandal-proof housing, IP67, IK10, heater, POE+ |
| | DH-PFH610V-IR | 14" vandal-proof housing, IP67, IK10, heater, IR |
| | PFH610V-IR | 14" vandal-proof housing, IP67, IK10, heater, IR |
| | DH-PFH610V-IR-POE | 14" vandal-proof housing, IP67, IK10, heater, IR, POE+ |
| | PFH610V-IR-POE | 14" vandal-proof housing, IP67, IK10, heater, IR, POE+ |
| Optional Brackets | PFB604W | Wall-mount bracket |
| | PFB601W | Plane-mount bracket |
| | PFB600W | Ceiling-mount bracket |
| | PFA162 | Support three-axis rotation for housing installation |

Dimensions (mm/inch)



Application



Package Information

PFH610V

- 14" vandal-proof housing *1
- Installation instruction *1
- M20 water joint *2
- 1/4/20×8UNC screw *2
- S5.0 wrench *1

PFH610V-H

- 14" vandal-proof IR housing *1
- Installation instruction *1
- M20 water joint *2
- 1/4/20×8UNC screw *2
- S5.0 wrench *1
- Connecting line(link camera to IR driver board) *1

PFH610V-H-POE

Bag 1:

- 14" vandal-proof POE housing *1
- Installation instruction *1
- M20 water joint *2
- 1/4/20×8UNC screw *2
- S5.0 wrench *1
- Connecting line(link POE board to temperature control board) *1

Bag 2:

- 1/4/20×8UNC screw *1
- Temperature control board *1

PFH610V-IR

- 14" vandal-proof IR housing *1
- Installation instruction *1
- M20 water joint *2
- 1/4/20×8UNC screw *2
- S5.0 wrench *1
- Connecting line(link camera to IR driver board) *1

PFH610V-IR-POE

- 14" vandal-proof IR POE housing *1
- Installation instruction *1
- M20 water joint *2
- 1/4/20×8UNC screw *2
- S5.0 wrench *1
- Connecting line(link camera to IR driver board) *1
- Network cable(link camera to POE power module) *1
- Terminal block *1