

# DHI-ARD311-W

## Wireless Door/Window Contact



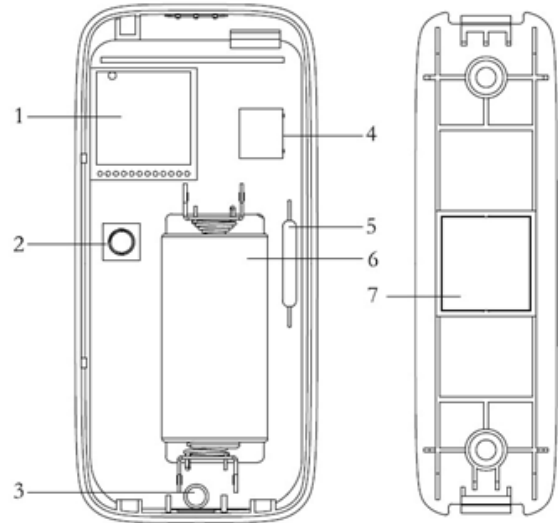
### Features

- Door/Window sensor, 25-40mm motion distance
- 2-way communication
- Up to 150m transmission distance (open space/no interference)
- 3 years battery life
- Tamper switch equipped
- Screw or glue to mount
- ABS plastic
- CE, FCC, MABISZ

### Technical Specification

Name	Wireless door sensor
Motion distance	25-40mm
Alarm prompt	Notification LED light
Wireless Frequency	433MHz/868MHz
Transmit Power	10dBm
Transmit Distance	150m(open area/no interference)
Tamper	Front cover and rear cover protection
Power	1xCR123A battery
Installation Way	Screw and glue
Dimensions	84*39*22mm(L*W*H)
Weight	0.1kg
Temperature	-10°C~50°C
Humidity	< 95%
Installation	Screw or glue to mount
Certifications	CE, FCC, MABISZ

### Product Appearance



1	Wireless module
2	Vandal-proof switch I(case)
3	LED
4	Vandal-proof II(wall vandal-proof)
5	Reed switch
6	Battery
7	Magnetic

