

# DHI-VTO6531H-S2

## IP Face Recognition Apartment Door Station



### Functions

#### Video Intercom

Video intercom can be used with the Indoor Monitor (VTH), Master Station (VTS) and app.

### Scene

Ideal for use in multiple scenes such as office buildings, compound buildings, communities, etc.

### Technical Specification

#### System

Main Processor	Embedded Processor
Operating System	Embedded Linux OS
Button Type	Touch button
Interoperability	ONVIF; CGI
Network Protocol	RTSP; DNS; RTP; RTMP; SIP; SSH; HTTP/HTTPS; ONVIF

#### Basic

Screen Type	Non-touchscreen
Display Screen	4.3-inch display screen
Screen Resolution	800 (H) × 480 (V)
Camera	1/2.8" 2MP CMOS high-definition, low illumination, dual cameras
Field of View	H: 95°; V: 50°; D: 110°
WDR	120 dB
Noise Reduction	3D NR
Video Compression	H.264; H.265
Video Resolution	Main stream: 720P/D1/WVGA; Sub stream: 1080P/720P/D1/WVGA/CIF/QVGA
Video Frame Rate	25 fps

- 4.3" LCD with a resolution of 800 × 480.
- 2 MP HD dual-lens camera.
- White light illuminators that help recognize the targets in darkness or low light environments.
- Supports 40,000 users, 20,000 faces and 20,000 cards.
- Recognizes faces 0.3 to 1.5 m away (0.98 ft–4.92 ft) at an accuracy of 99.9%, and compares 1 face with N faces at the speed of 0.2 seconds/person.
- Liveness detection is used to detect spoof attempt, such as using a photo or video to gain access.
- Offers multiple types of alarms such as duress, tamper, emergency and alarms from door detectors.
- Supports leaving audio and video messages when no one responds through the indoor monitor. (An SD card in VTH is required).
- Supports multiple unlock methods including password, IC card, QR code (supported by DSS) and face, and unlocks remotely.
- Unlocks the door through the indoor monitor, management center and app.
- Provides 12 VDC, 500 mA power for the extension module or card reader.
- IP65 rated. (Silicone sealant is required for the shell, see the quick start guide.)
- Standard PoE power supply. (If the VTO device with 12 V power output needs to charge the load, it should be connected to a PSE switch that complies with the 802.3.at standard.)



Video Bit Rate	1,024 kbps–8,192 kbps
Light Compensation	Auto white light
Audio Compression	G.711a; G.711u; PCM
Audio Input	1 channel
Audio Output	Built-in speaker
Audio Mode	Two-way audio
Audio Enhancement	Echo suppression/digital noise reduction
Audio Bit Rate	16 kHz, 16 bit
Function	
Communication Mode	Full digital
Verification Method	Card; Password; Fingerprint; Remote; Face Recognition

# Apartment Door Station | DHI-VTO6531F-S2

Auto Snapshot	Yes
Information Release	Receive and view text information released by the management center.
Leave Videos	Yes (SD card inserted in VTH is needed)
Web Configuration	Yes
Auto Registration	Yes

## RFID

Card Type	IC card
-----------	---------

## Performance

Card Reading Distance	0 cm–5 cm (IC card)
Issue Card Locally	Yes
Face Recognition Height Range	1.1 m–2.2 m (3.61 ft–7.22 ft)
Face Recognition Distance	0.3 m–2.0 m (0.98 ft–6.56 ft)
Face Recognition Accuracy	99.9%
Face Recognition Time	0.2 sec
Casing Material	PC + ABS

## Capacity

Card Capacity	20,000
Face Image Capacity	20,000

## Port

RS-485	1
Wiegand	1 (they can be set as an input or output port)
Alarm Input	2 channels
Alarm Output	2 channels
Power Output	1 port (12 V, 500 mA)
Exit Button	1 channel
Door Status Detection	1 channel
Lock Control	1 channel, open by default
Network Port	1 × 10 Mbps/100 Mbps Ethernet port

## Alarm

Tamper Alarm	Yes
--------------	-----

## General

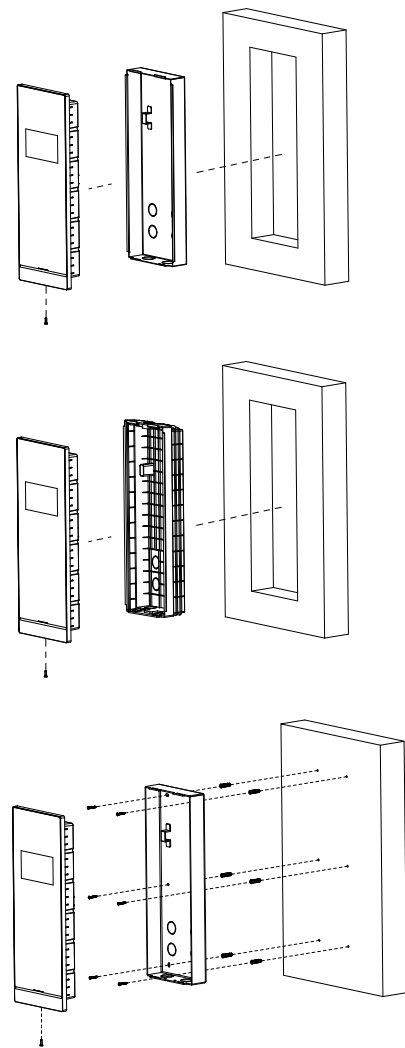
Unlock Password Mode	User, public and duress passwords
Appearance Color	Silver
Power Supply	12 VDC, 2 A; Standard PoE
Power Adapter	Optional
Installation	Wall Mount; Flush Mount
Certifications	CE
Accessory	Power supply (optional); Flush mount box (optional)

Product Dimensions	388.5 mm × 145.5 mm × 43.5 mm (15.30" × 5.73" × 1.71") (H × W × D)
Protection	IP65 rated (Silicone sealant is required. See the quick start guide for more information).
Operating Temperature	–30 °C to +60 °C (–22 °F to +140 °F)
Operating Humidity	0%–90% (RH), non-condensing
Operating Altitude	0 m–3,000 m (0 ft–9842.52 ft)
Power Consumption	≤5 W (standby), ≤18 W (working)
Gross Weight	1.5 kg (3.31 lb)

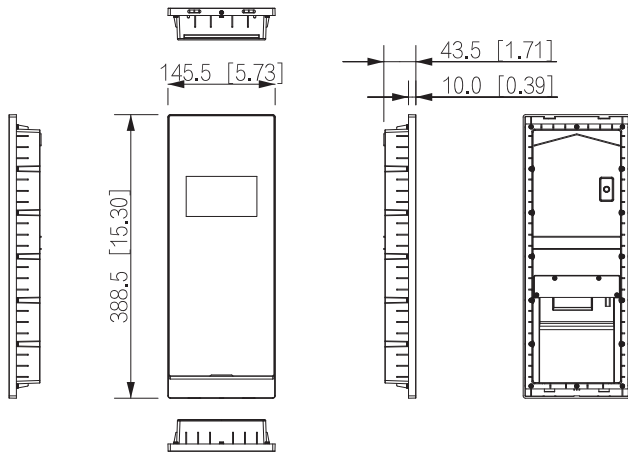
## Ordering Information

Type	Model	Description
Door Station	DHI-VTO6531H-S2	IP Face Recognition Apartment Door Station
Accessories	VTM130	Surface Mounted Box
	VTM121	Flush Mounted Box

## Installation



## Dimensions (mm[inch])



## Application

