

# DHI-VTO2111D-P-S3

## IP Villa Door Station



### Technical Specification

#### System

Main Processor	Embedded Processor
Operating System	Embedded Linux OS
Button Type	Mechanical
Number of Buttons	1
Interoperability	ONVIF; CGI
Network Protocol	IPv4; RTSP; UDP; DNS; P2P; RTP; TCP; SIP

#### Basic

Camera	1/2.8" 2 MP CMOS high definition, low illumination/DWDR/ color/IR
Field of View	H: 107°; V: 60°; D: 122°
Noise Reduction	3D NR
Video Compression	H.264; H.265
Video Resolution	Main stream: 720p, WVGA, D1, CIF Sub stream: 1080p, WVGA, D1, QVGA, CIF
Video Frame Rate	PAL: 25 fps; NTSC: 30 fps
Video Bit Rate	256 Kbps–8 Mbps
Light Compensation	Auto IR
Day/Night	Auto(ICR)/Color/B/W;Color/B/W
Audio Compression	G.711a; G.711u; PCM
Audio Input	1
Audio Output	Built-in speaker
Audio Mode	Two-way audio

- Megapixel image sensor.
- Supports IR illumination and night vision.
- Two-way audio and voice call through app.
- Can be managed through the management platform; support voice call between App and the door station.
- Card unlock, unlock on the indoor monitor, and remote unlock through the App.
- Supports IP65(Silicone sealant is needed. For details, see the quick start guide).
- Supports 10000 cards.
- Supports standard PoE power supply.
- Controls two locks.



Audio Enhancement	Echo suppression/digital noise reduction
Audio Bit Rate	16 KHz, 16 bit

#### Function

Communication Mode	Full digital
Unlock Mode	Card; app; indoor monitor
Card Type	IC card
Leave Videos	Yes (an SD card must be inserted in the VTH)
Web Configuration	Yes

#### Performance

Card Reading Distance	0 cm–4.5 cm (0"–1.77")
Issue Card Locally	Yes
Casing Material	PC + Acrylic

#### Capacity

Card Capacity	10000
---------------	-------

#### Port

RS-485	1
Power Output	1 port, 12 V and 200 mA
Exit Button	1
Door Status Detection	1
Lock Control	1 port, normally closed by default
Network Port	1 × 10/100 Mbps network port (8-core white ribbon cable)

## Alarm

Tamper Alarm	Yes
--------------	-----

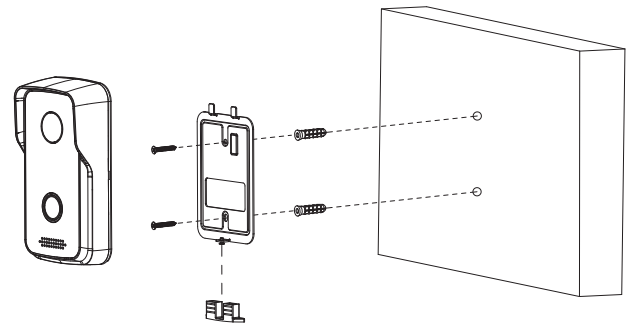
## General

Appearance Color	Black
Power Supply	12 VDC, 1 A Standard PoE
Power Adapter	Optional
Installation	Surface Mount
Certifications	CE
Accessory	Included: Alarm power ribbon cable, rain cover, brackets
Product Dimensions	135.1mm × 70.6mm × 34.6mm (5.32" × 2.78" × 1.36")
Protection	IP65 (silicone sealant is needed, see the quick start guide.) IK04 (for common use)
Operating Temperature	-30 °C to +60 °C (-22 °F to +140°F)
Operating Humidity	10%–90% (RH), non-condensing
Operating Environment	Outdoor
Operating Altitude	Beneath 3000 m (9842.52 ft)
Power Consumption	≤ 1 W (standby), ≤ 5 W (working)
Gross Weight	326 g (0.72 lb)
Anti-corrosion Level	Basic Protection

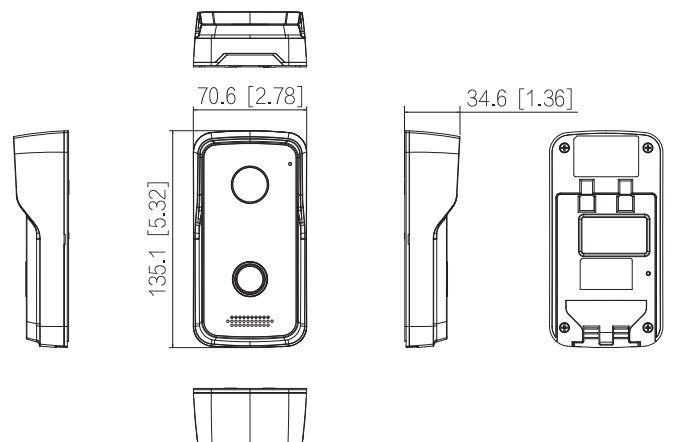
## Ordering Information

Type	Model	Description
VTO	DHI-VTO2111D-P-S3	IP Villa Door Station

## Installation



## Dimensions (mm[inch])



## Application

