

# DHI-VTM50B1

## Button Module



- Ultra slim design.
- The built-in mechanical buttons, and PC and ABS material make it ideal for indoor and outdoor use.
- Connects to indoor monitors as a doorbell.
- IP65 rated.
- Surface mounted.

### Technical Specification

#### System

Button Type	Mechanical
-------------	------------

#### Performance

Casing	PC + ABS
--------	----------

#### General

Appearance Color	Light grey
------------------	------------

Installation	Surface Mount
--------------	---------------

Certifications	CE/FCC
----------------	--------

Accessory	Included: Alarm ribbon cable, rain cover
-----------	--

Dimensions	140.7 mm × 50.7 mm × 27 mm (5.54" × 2.00" × 1.06")
------------	--

Protection	IP65
------------	------

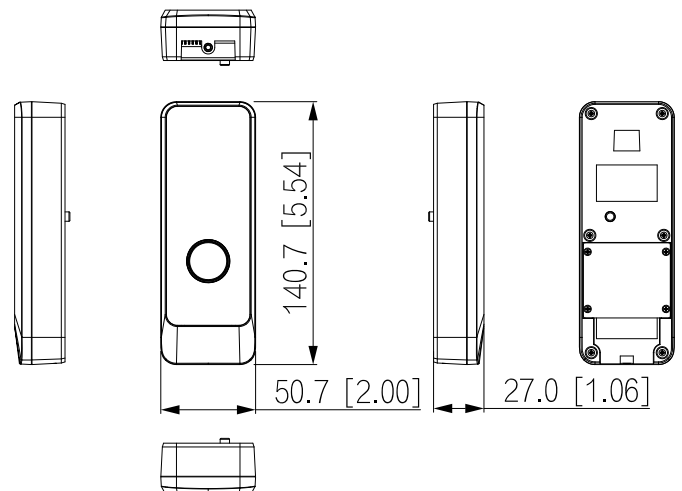
Operating Temperature	-40 °C to +60 °C (-40 °F to +140 °F)
-----------------------	--------------------------------------

Operating Humidity	10%–90% (RH)
--------------------	--------------

Gross Weight	0.27 kg (0.60 lb)
--------------	-------------------

Net Weight	0.08 kg (0.18 lb)
------------	-------------------

### Dimensions (mm[inch])



### Application

