

Industrial 8-Port/16-Port Gigabit PoE + 4-Port 10G SFP+ L3 Managed Ethernet Switch

Overview

This series product is Industrial 8-Port/16-Port Gigabit PoE + 4-Port 10G SFP+ L3 Managed Ethernet Switch.

This series switch provides 8/16 Gigabit Ethernet RJ-45 ports and 4 10G SFP+ fiber uplink ports. All RJ-45 ports support Power-over-Ethernet (PoE+) and deliver up to 30W power per port.

The switch has extensive Layer 2 and Layer 3 management functions, such as VLANs, IGMP Snooping, QoS, RSTP, Fast Ring and Layer 3 routing. It can be easily managed via a WEB GUI (http/https), CLI (telnet/ssh/console) or SNMP.

The switch is designed for a wide operating temperature range from -40 to 75°C and has a redundant power supply. It is equipped with an alarm relay that can be configured via software.

This series switch contains two types:

- UTP7608GE-POE-IE: Industrial 8-Port Gigabit PoE + 4-Port 10G SFP+ L3 Managed Ethernet Switch
- UTP7616GE-POE-IE: Industrial 16-Port Gigabit PoE + 4-Port 10G SFP+ L3 Managed Ethernet Switch

Features and Highlights

Abundant Interfaces

- UTP7608GE-POE-IE: 8*10/100/1000 Base-T PoE RJ-45 ports
UTP7616GE-POE-IE: 16*10/100/1000 Base-T PoE RJ-45 ports
- 4*1000/10G Base-X SFP ports
- 1*RJ-45 to RS-232 console port (115200,8,N,1)

Industrial Design

- Redundant power supply
- -40~75°C working temperature
- 6kV surge immunity
- 8kV contact discharge,15kV air discharge ESD protection
- Relay Alarm for power failure, cable link down and PoE link down
- Fan-less metal shell design
- Desktop/DIN-rail/wall mounted installation

Layer 3 Network Management

- 802.1Q VLAN
- 802.1P QoS
- SNMP
- IPv6
- Fast-Ring, self-healing in 20ms
- ERPS
- One-key smart mode: CCTV, LOCK, RING, ONLINE



Hardware Specifications

Items	UTP7608GE-POE-IE	UTP7616GE-POE-IE
Ethernet Ports		
Downlink Ports	8*10/100/1000 Base-T PoE RJ-45(Auto-MDI/MDI-X)	16*10/100/1000 Base-T PoE RJ-45(Auto-MDI/MDI-X)
Uplink Ports	4*1000/10G Base-X SFP	
Console Port	1*RJ-45 to RS-232 console port (115200,8,N,1)	
PoE		
PoE Standard	IEEE 802.3af/at (PSE)	
PoE Power Supply Type	End-span	
PoE Pin Assignment	1/2(+), 3/6(-)	
PoE Power Output	46~55V DC	
PoE Power	30W max for each port, 240W max	30W max for each port, 360W max
Switch Property		
Standards	IEEE 802.3, IEEE 802.3u, IEEE 802.3ab, IEEE 802.3z, IEEE 802.3x, IEEE 802.1Q, IEEE 802.1p, IEEE 802.3ad, IEEE 802.1D, IEEE 802.1x	
Forwarding Modes	Store and Forward	
Packet Buffer	12Mbit	
MAC Table	16k, supported auto learning	
Switching Capacity	96Gbps / non-blocking	112Gbps / non-blocking
Packet Forwarding Rate	71.4Mpps	83.3Mpps
Jumbo Frame	9kB	
Power Supply		
Input Voltage	Power 1 (Main): 48~57V DC, Power 2 (Backup): 48~57V DC	
Power Consumption	260W (Full load including PoE)	380W (Full load including PoE)
Reliability		
Surge Immunity	6kV, Standard: IEC6000-4-5	
ESD Protection	8kV Contact Discharge, 15kV Air Discharge, Standard: IEC61000-4-2	
MTBF	310972h	295040h
MTBF Standards	Telcordia SR-332, 25°C	
Operating Temperature	-40°C~75°C	
Storage Temperature	-40°C~85°C	
Operating Humidity	5%~95% (Non-condensation)	
Physical Parameter		
Led Indicators	2* power supply indicators 1* system working indicator 1* alarm indicator	
Init Button	Short press to restart the switch, long press >5s to initialise the system	
Dimensions (W*D*H)	163mm*110mm*95.6mm	
Net Weight	1620g±20g	1730g±20g
Material	Metal shell	
Installation	Desktop/DIN-rail/wall mounted	
Certifications		
Certifications	CE, FCC	

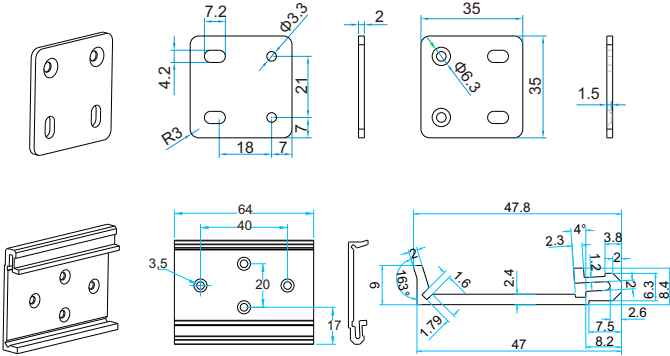
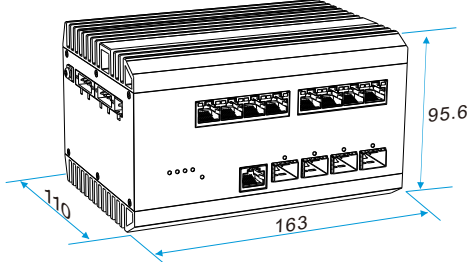
Software Specifications

UTP7608GE-POE-IE, UTP7616GE-POE-IE	
System State	
System Status	<ul style="list-style-type: none"> • Device Name • MAC Address • Firmware Version • Hardware Version • System Time • Update Time • Memory Information • CPU Information
Traffic Statistics	<ul style="list-style-type: none"> • Sent Frame Statistics • Received Frame Statistics
MAC Address Table	<ul style="list-style-type: none"> • MAC Address Table • Sort Type
Port Configuration	
Port Setting	<ul style="list-style-type: none"> • Port State • Port Speed • Duplex Mode • Traffic Control • Port Range
Rate Limit	<ul style="list-style-type: none"> • Enable and Disable • Port Range • Input Speed Limit • Output Speed Limit
Storm Control	<ul style="list-style-type: none"> • Port Range • Broadcast Storm • Multicast Storm • Unknown Unicast Storm
Port Isolation	<ul style="list-style-type: none"> • Port Isolation Or Normal • Port Range
PoE Setting	<ul style="list-style-type: none"> • Power Setting • Power Status • Port Status and Control
Ethernet Switch	
Link Aggregation	<ul style="list-style-type: none"> • Aggregated Load Pattern Setting • Trunk Name • Aggregation Pattern Setting • Port Range
802.1Q VLAN	<ul style="list-style-type: none"> • Port Range • Link Type • PVID • VLAN-allowed • VLAN-untagged
802.1P QoS	<ul style="list-style-type: none"> • Enable and Disable • QoS Priority • 802.1p QoS Setting • 802.1p Mark Range • 802.1p Priority
IP Service	
Interface IP	<ul style="list-style-type: none"> • Network Interface(VID) • Static IP • IPv4 Address • IPv6 Address
DHCP Server	<ul style="list-style-type: none"> • Client Lease Time • Preferred DNS Address • Backup DNS Address • WINS Server • Network Interface(VID) • Default Gateway • Start IP Address • Max Client Number
IP Routing	
RIP	<ul style="list-style-type: none"> • Enable and Disable • Protocol Type • Network Interface
OSPF	<ul style="list-style-type: none"> • Enable and Disable • OSPF Host ID • Region ID • Region Type • Network Interface
Routing Table	<ul style="list-style-type: none"> • Target Network • Next Hop Address • Path Consumption
IP Multicast	
IGMP Snooping	<ul style="list-style-type: none"> • Enable and Disable • IGMP Query setting • Group Member Alive Time
Security	
Static Address Lock	<ul style="list-style-type: none"> • Enable and Disable • MAC Address, VLAN ID, Port
Reliability	
Rapid Spanning Tree	<ul style="list-style-type: none"> • Enable and Disable • STP Version • Device Priority • Message Sending Period • Message Maximum Lifetime • Port State Transition Delay • This Bridge Update Message • Modify Configuration
Fast-Ring Protect	<ul style="list-style-type: none"> • Enable and Disable • Fast-Ring Network Group 1 • Fast-Ring Network Group 2
Loopback Protect	<ul style="list-style-type: none"> • Enable and Disable • Protect Automatic Recovery • Disable Loop Port Time • Port Range • Port Loop Detection
ERPS Ring	<ul style="list-style-type: none"> • Ring Number • East Interface • West Interface
ERPS Instance	<ul style="list-style-type: none"> • ERPS Instance Name • ERPS Instance ID • ERPS Ring Level • RAPS VLAN • Owner Interface • Subring Block • Associated Instance
VRRP Setting	<ul style="list-style-type: none"> • VRID • VLAN Interface • Priority • Preemption Mode • Preemption Delay • Authentication Method • Authentication Word • Virtual IP
Alarm Management	
Alarm Host	<ul style="list-style-type: none"> • Power Supply • Port Network • Port PoE
System Management	
Port Mirroring	<ul style="list-style-type: none"> • Enable and Disable • Monitor Port • Mirror Port Range • Collect Data
SNMP	<ul style="list-style-type: none"> • Enable and Disable • SNMP Gateway • SNMP Version • Read-only Group Name • Read and Write Group Name • SNMP V3: User Name, Read And Write Mode • Identity Authentication, Verify Password, Encryption Protocol, Encryption Password
Time	<ul style="list-style-type: none"> • Local Time • World Time Zone • Automatically Adjust Daylight Saving Time • Using NTP • NTP Sever • System Time • PC Time
Syslog	<ul style="list-style-type: none"> • Enable and Disable • Show Type • Information Processing
Management	<ul style="list-style-type: none"> • Restore Factory Value • System Reboot • Download Configuration File • Upload Configuration File • System Upgrade
User Setting	<ul style="list-style-type: none"> • Access Privilege • Username • Change Password

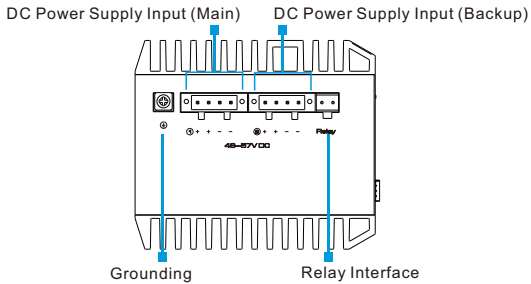
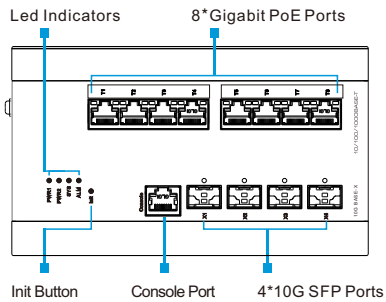
Appearances and Dimensions

UTP7608GE-POE-IE

Dimensions (mm)

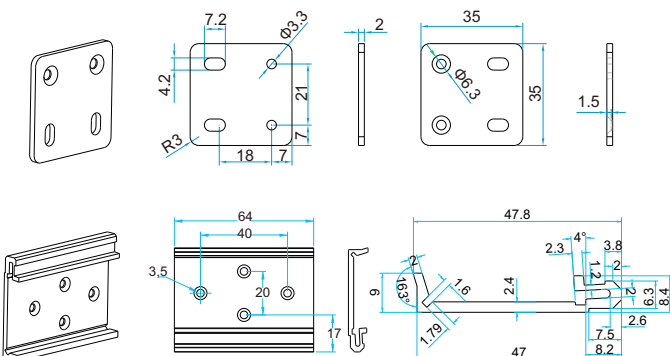
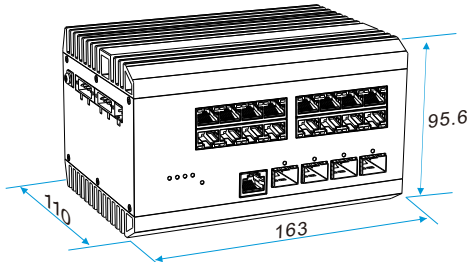


Front Panel Side Panel

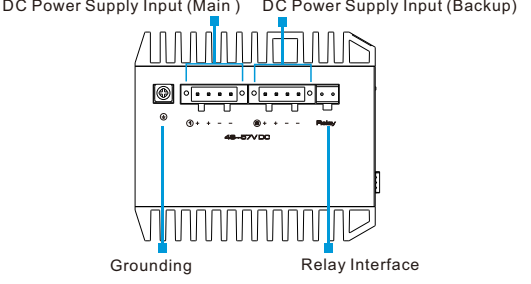
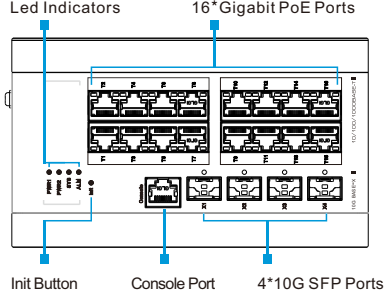


UTP7616GE-POE-IE

Dimensions (mm)



Front Panel Left Side Panel



Packing List

Welcome to order our products. After purchasing, you will receive:

Items	Quantity
Switch	1 set
Mounting Accessory	1 set
Quick Installation Guide	1 pcs

Related Products

Model	Description
NDR-240-48	240W Din-rail Power Supply
NDR-480-48	480W Din-rail Power Supply
SFP-10G-10KM	10G Single Mode Dual Fiber 10km SFP+ Module
SFP-10G-300M	10G Multi Mode Dual Fiber 300m SFP+ Module

More Information

For more information, please visit:

www.utepo.net

SHENZHEN UTEPO TECH LTD.

Head quarter: 5F, Building B, Tiange Science and Technology Park, NO.2, Luozu Industrial Avenue, Shi'yan Street, Bao'an District, Shenzhen, Guangdong, China

Tel: +86-755-83898016-863 or +86-1501-2669-765 (Sales)

Email: info@utepo.net (Sales), support@utepo.net (Technical support)

©2021 SHENZHEN UTEPO TECH LTD. All Rights Reserved.

Version,V2.0, updated 2021.3.1.

The information in this document is subject to change without notice.

Every effort has been made in the preparation of this document to ensure accuracy of the contents, but all statements, information, and recommendations in this document do not constitute a warranty of any kind, express or implied.