

# Farenhyt



Miscellaneous

## STI Stopper® II and Weather Stopper® II

### Covers for Manual Pull Stations

#### General

The Safety Technology International, Inc. Stopper® II cover for manual pull stations helps deter unwanted activation and is also an effective guard against physical damage. It has been proven by use in thousands of installations throughout the world, including schools, hospitals, hotels and stores. The Stopper® II has also been tested and approved by fire prevention and testing authorities.

#### Features

- Window made of clear and durable plastic.
- Optional warning horn powered by 9 VDC battery.
- Provides weatherproofing for outdoor pull stations when equipped with optional gasket (Weather Stopper II).
- Fits pull stations from 5-1/2" to 6-3/4".
- Unconditional lifetime guarantee against cover breakage and damage.
- ADA Compliant
- UL Listed

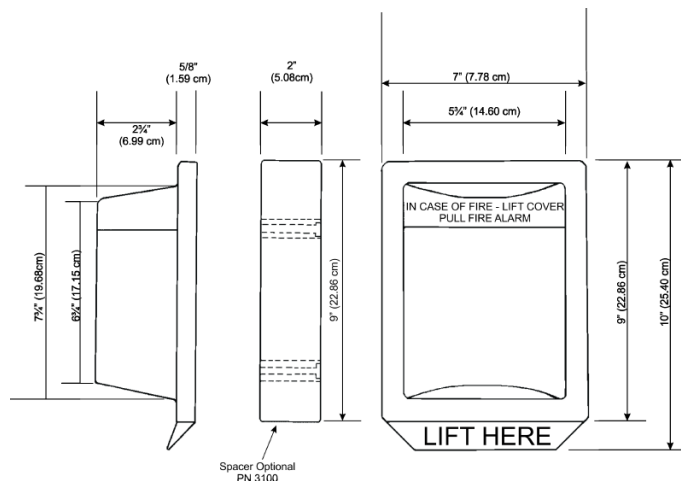
#### Applications

The Stopper® II can be used in almost any pull station environment.

#### Spacer Installation

(SURFACE MOUNT MODELS ONLY)

The spacer is used for surface-mounted or oversized manual stations. Longer screws are provided for use with tap-in anchors. Remove knock-out at top or bottom of spacer as necessary.



## Agency Listings



#### Gasket Installation

(WEATHER STOPPER® II MODELS ONLY)

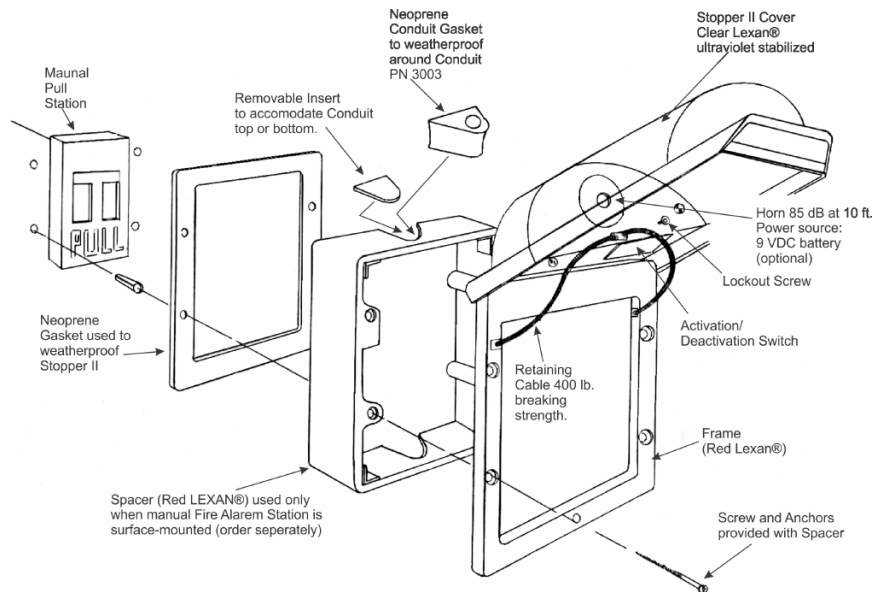
Installing Neoprene gaskets behind the spacer and/or Stopper® II frame will provide additional weatherproofing. A conduit gasket may be used to seal the top or bottom of the spacer.

#### Size Of Pull Station Accommodated

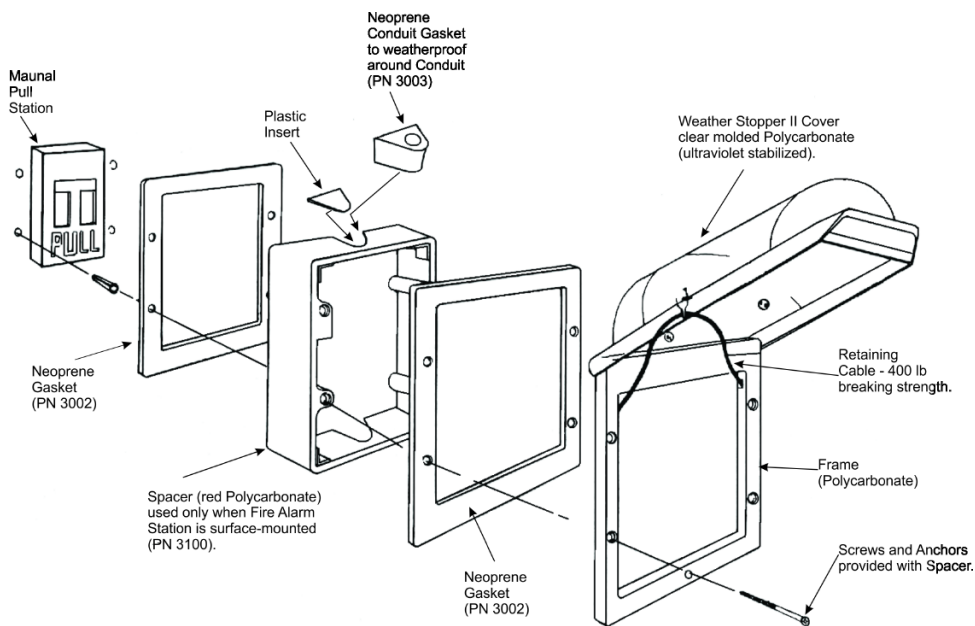
The Stopper® II and Weather Stopper® II can be installed over a flush-mounted station up to 5-1/2" wide and 6-3/4" high. However, the pull station's maximum dimensions will decrease as its depth (distance from the wall) increases, i.e.: a 3/4" deep pull station may be 5-1/2" wide x 6" high; a 1-5/8" deep pull station may be 5" wide x 6" high; a 2-3/8" deep pull station may be 4" wide x 5-3/4" high; a 2-3/4" deep pull station may be 3" wide x 5-1/2" high. See sections "Spacer Installation" and "Gasket Installation".

P/N 351532 Rev A

Copyright © 2010 Honeywell International Inc.



### Weather Stopper® II



### Stopper® II

## Ordering Information

**STI1100** Stopper® II, flush mount, with horn.

**STI1130** Stopper® II, surface mount, with horn.

**STI1200** Stopper® II, flush mount, without horn.

**STI1230** Stopper® II, surface mount, without horn.

**STI1250** Weather Stopper® II, flush mount.

**STI3150** Weather Stopper® II, surface mount.

**STI3002** Weather Gasket

**STI3003** Conduit Gasket

**STI3100** Conduit Spacer, surface mount



**SILENT  
KNIGHT**

by Honeywell

This document is not intended to be used for installation purposes. We try to keep our product information up-to-date and accurate. We cannot cover all specific applications or anticipate all requirements. All specifications are subject to change without notice. For more information, contact Silent Knight 12 Clintonville Road, Northford, CT 06472-1610 Phone: (800) 328-0103, Fax: (203) 484-7118.

www.farenhyt.com SpectrAlert® and System Sensor® are registered trademarks of Honeywell International Inc.