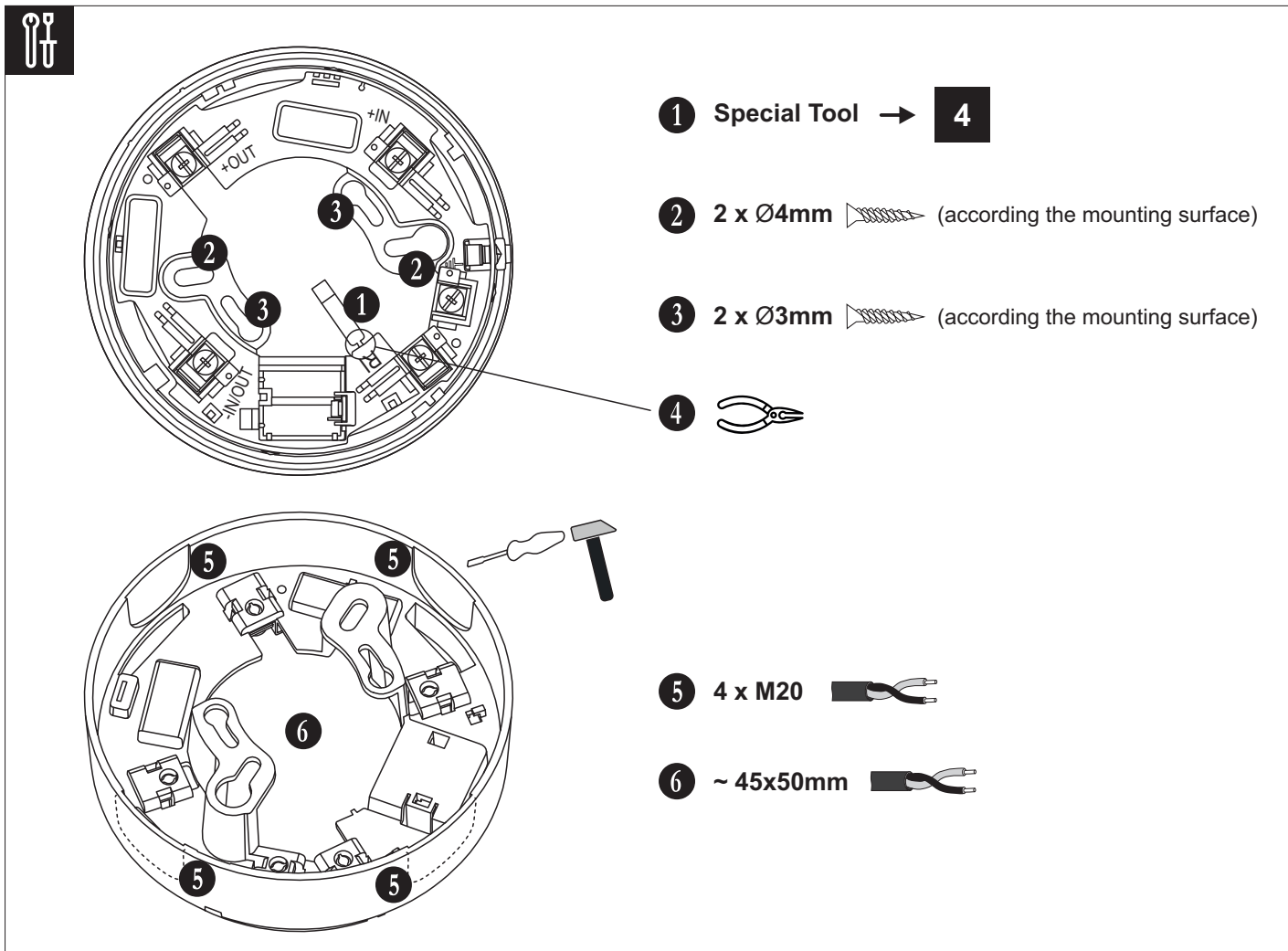
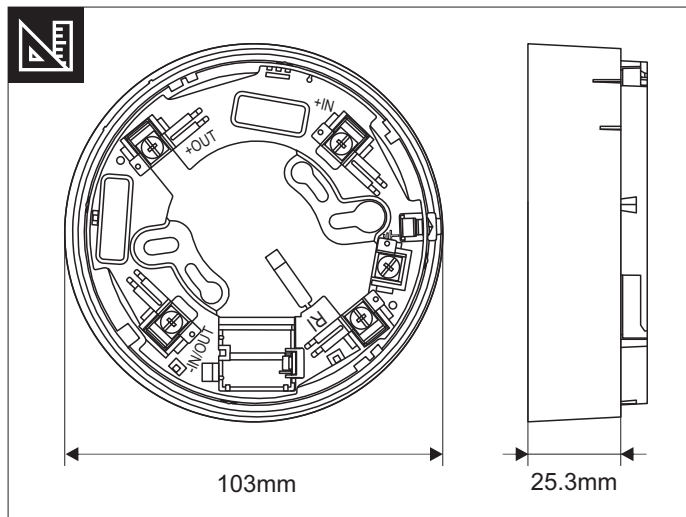
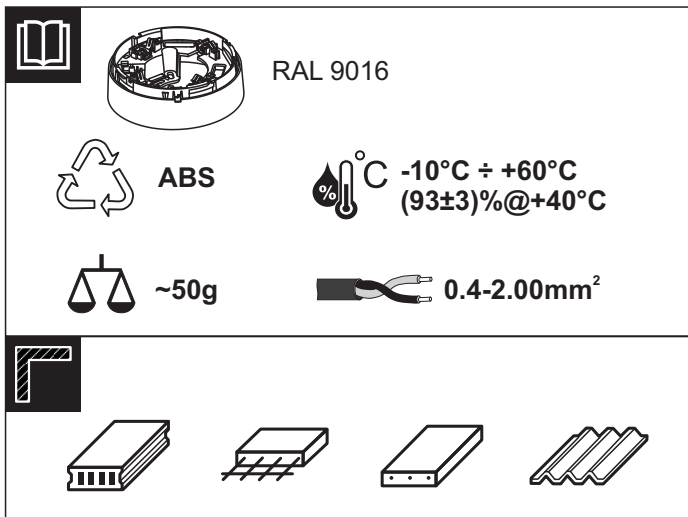
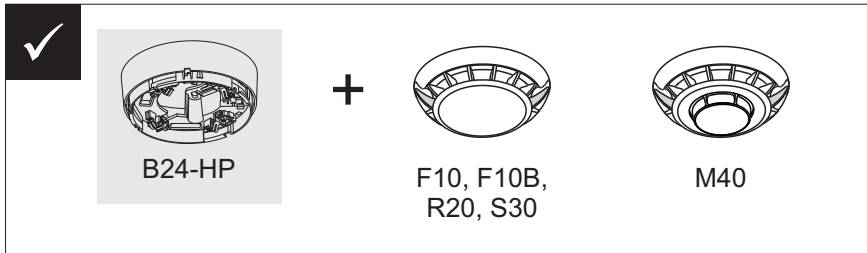


# SensoMAG B24-HP

Standard High Profile Fire Base for Conventional Detectors





⏚ (Earth)

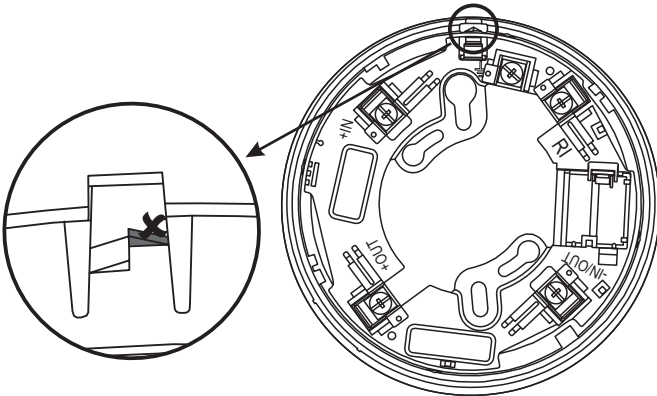
Remote  
Indication

Remote  
Indication

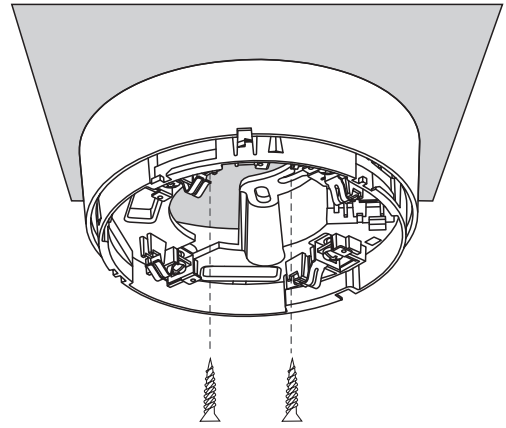
+ (24V)

EOL

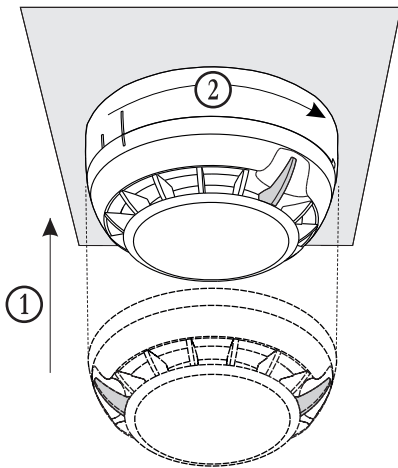
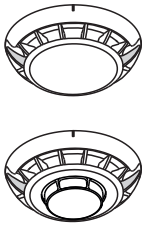
1



2



3



4

