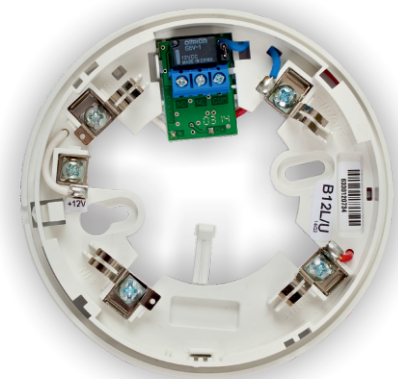


## SensoMAG B12L/U

Relay Base with Latch and Unlatch operation modes

### Description

SensoMAG B12L/U is an alarm base (12V) with relay output. The base has two operation modes: Latch and Unlatch. The base is designed for conventional detectors SensoMAG series: F10, F10B, R20, S30 and M40 for applications in security alarm systems. The base is with low profile design and reliable contact system. It is possible to lock the detector to the base for extra security.



### Technical and Environmental Specifications

Power Supply	10-15V
Consumption in stand-by mode	<50 $\mu$ A
Consumption in FIRE mode	<25mA
Reset time in Unlatched operation mode	7 - 9 sec
Relay terminals	30V/0.5A
Wire Gauge for terminals	3.0mm <sup>2</sup>
Operating temperature	-10°C to +60°C
Relative humidity resistance	(93 $\pm$ 3)% @ 40°C
Weight	~46g
Dimensions	102x11mm
Material (plastic), color	ABS, white

### Packing Information

• **Single packing** - 1 unit SensoMAG B12L/U in a plastic packing bag.

### Compatible Product Range

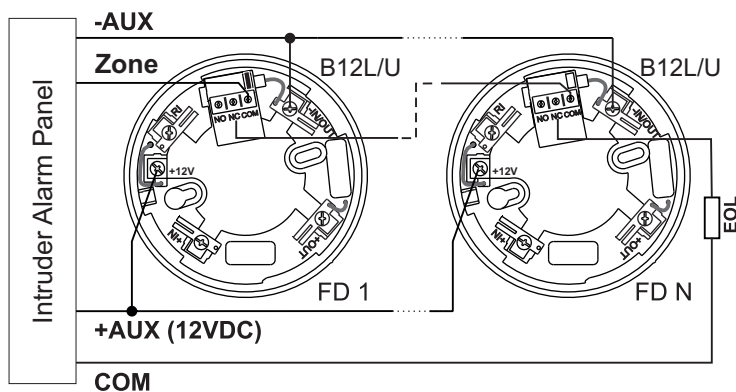
• **F10, F10B, R20, S30, M40** - SensoMAG conventional detectors

### Contact Information:

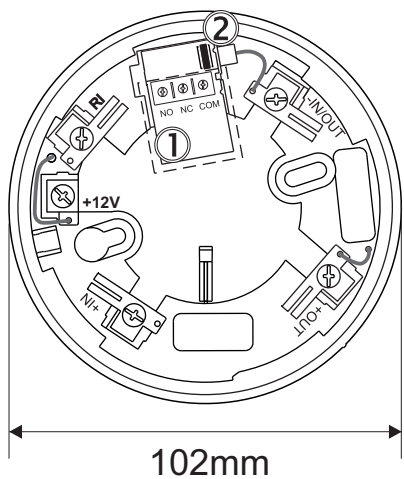
## SensoMAG B12L/U

Relay Base with Latch and Unlatch operation modes

### ● Connection Diagram

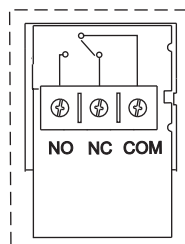


### ● Dimensions and Operation Mode Description



#### ① Relay Terminals

30V/0.5A



#### ② Jumper for Latch/Unlatch operation mode



##### **Latch Mode** - The jumper is set.

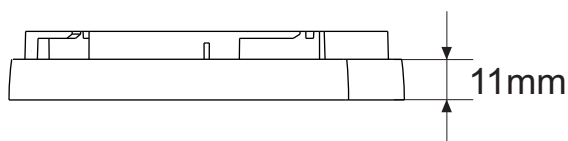
In case of FIRE signal the relay will be switched on until the AUX output (on the control panel) is reset. After that and the detector will be reset.

*NOTE: The base comes with factory set jumper, i.e the Latch operation mode is set by default.*



##### **Unlatch Mode** - The jumper is removed.

In case of FIRE signal the relay will be switched on for 7-9 seconds. After that time the detector will be reset automatically.



### ● Contact Information: