

DH-S5428-24GT4XF-360

28-Port L2+ Managed Gigabit Switch with 24-Port PoE



- All-gigabit port design (10 gigabit uplink port).
- Supports STP, RSTP and ERPS.
- IEEE802.1Q-based VLAN configuration.
- Static link aggregation and static LACP.
- Easy to manage the device through the webpage.
- EMC compliant, the device is lightning proof.
- Desktop mount and rack mount.



System Overview

The device is a 10 Gbps uplink switch with a high-performance switch engine and large cache. It provides smooth transmission of video streams. The switch has great heat dissipation and can operate in temperatures ranging -10°C to 55°C. The switch can be remotely managed through the DoLink Care cloud platform, an easy to use webpage, and SNMP. The red port provides up to 90W PoE power. The device supports link aggregation and STP to ensure high network stability. It is widely used in digital transformation and network construction by small and medium-sized enterprises, chain business, branches, government structures, schools, hotels, and more.

Functions

Link Aggregation

Combines multiple physical links into one virtual channel for dynamic redundancy and load balancing, ensuring that the connection remains stable.

Spanning Tree Protocol (STP)

Uses algorithms that calculate the best loop-free path through a Layer 2 network while providing path redundancy to prevent the occurrence of broadcast storms and enhance the stability of operations and services.

10G Uplink

Suitable for aggregation scenarios, guaranteeing smooth transmission of large concurrent data.

BT 90W (Red Port)

The red ports support IEEE802.3af, IEEE802.3at, IEEE802.3bt and Hi-PoE standards, with a maximum output power consumption of 90W per port. Suitable for powering high-power devices.

Technical Specification

Basic

Layer	Layer 2
Switching Capacity	128 Gbps
Packet Forwarding Rate	95.232 Mpps
Description of Function Slots	Port 1-24: 24 × RJ-45 10/100/1000 Mbps (PoE) Port 25-28: 4 × SFP+ 1/10 Gbps
Operating Temperature	-10 °C to +55 °C (14 °F to +131 °F)
Operating Humidity	10%–90% (RH), non-condensing
Storage Temperature	-40 °C to +70 °C (-40 °F to +158 °F)
Storage Humidity	5%–95% (RH), non-condensing
Power Supply	Built-in power supply: 100–240 VAC, 50/60 Hz, 6 A
Power Consumption	Idling load: 18.8 W Full load: 418 W
Statics Protection	Air discharge: 8 kV Contact discharge: 6 kV
Lightning Protection	Common mode: 4 kV Differential mode: 2 kV
Net Weight	3.5 kg (7.72 lb)
Gross Weight	4.4 kg (9.70 lb)
Product Dimensions	440 mm × 306 mm × 44 mm (17.32" × 12.05" × 1.73") (L × W × H)
Packaging Dimensions	528 mm × 412 mm × 112 mm (20.79" × 16.22" × 4.41") (L × W × H)
Installation	Rack mount; desktop mount

PoE

PoE	Yes
PoE Power	Port 1-2 ≤ 90 W, Port 3-16 ≤ 30 W, total ≤ 360 W
PoE Protocol	IEEE 802.3af; IEEE 802.3at; Hi-PoE; IEEE 802.3bt
PoE Power Consumption Management	PoE power consumption management PoE power on/off Turns off PoE if overload is detected Green PoE
PoE Pin Assignment	1, 2, 4, 5 (V+), 3, 6, 7, 8 (V-)
Long Distance PoE Transmission	Yes

Hardware

Debugging	1 × Console port
Reset Button	1

Performance

Packet Buffer Size	16 Mbit
Jumbo Frame	12288 Byte
MAC Table Size	32K
Communication Standard	IEEE 802.3; IEEE 802.3u; IEEE 802.3x; IEEE 802.3ab; IEEE 802.3z; IEEE 802.3ad
VLAN Number	4094

VLAN Interface	10
----------------	----

Feature

Ethernet Loop Protection	STP/RSTP/ERPS
VLAN Function	Port-based VLAN
Link Aggregation	LACP Static link aggregation Dynamic link aggregation
Port Feature	IEEE 802.3x flow control Unknown unicast suppression Multicast storm control Broadcast storm control
IEEE 802.3x Flow Control	Yes
Multicast	IGMP Snooping
Reliability	LLDP
Routing	Static routing
DHCP Function	DHCP Client
Security	802.1X Port isolation Radius HTTPS
QoS/ACL	SP/WRR queue scheduling 802.1p and DSCP priority mapping Port speed limit
Equipment Management	Cloud management Web SNMP V1/V2C/V3 NTP Logs Ping

General

Packing List	1 × User Manual; 1 × Legal and Regulatory Information 1 × Warranty Card 1 × List of Hazardous Substances 1 × Power Cord 1 × Rack-mounting Kit
--------------	--

Transmission Performance

Cable(m)	Load Capacity(W)	Bandwidth(Mbps)
----------	------------------	-----------------

IEEE802.3bt 90W

100	71.3	1000
150	62	10
200	51	10
250	40	10

Hi-PoE 60W

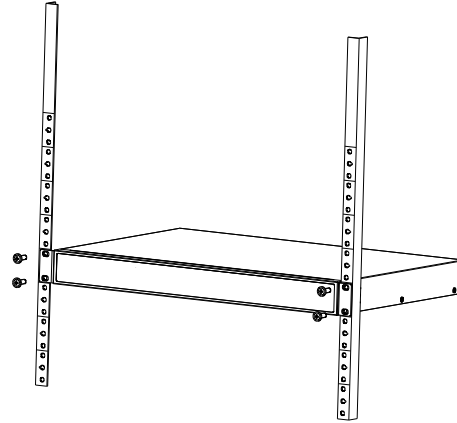
100	53	1000
150	50	10
200	47	10
250	37	10

IEEE802.3at 30W

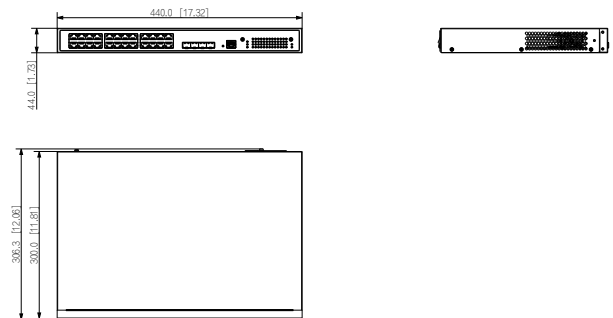
100	25.5	1000
150	25.5	10
200	25.5	10
250	25.5	10

Note: Data from this table was collected by Dahua test lab and is for reference only. The actual transmission distance may vary due to power consumption of connected devices or the cable type and status.

Installation



Dimensions (mm[inch])



Ordering Information

Type	Model	Description
SFP module	GSFP-RJ45	Gigabit RJ45 SFP Module
	GSFP-1310T-20-SMF	Gigabit 1310/1550nm,20km,LC, Single-mode
	GSFP-1310R-20-SMF	Gigabit 1550/1310nm,20km,LC, Single-mode
	GSFP-1310-20-SMF	Gigabit 1310nm,20km,LC, Single-mode
	GSFP-850-MMF	Gigabit 850nm,550m,LC, Multi-mode
	TSFP-1270T-20-SMF	10G 1270/1330nm,20km,LC, Single-mode
	TSFP-1270R-20-SMF	10G 1330/1270nm,20km,LC, Single-mode
	TSFP-1310-20-SMF	10G 1310nm,20km,LC, Single-mode
	TSFP-1550-40-SMF	10G 1550nm,40km,LC, Single-mode
	TSFP-850-MMF	10G 850nm,300m,LC, Multi-mode
	TSFP-850-MMF	10G 850nm,300m,LC, Multi-mode