

DH-PFH610N-W

Housing



Features

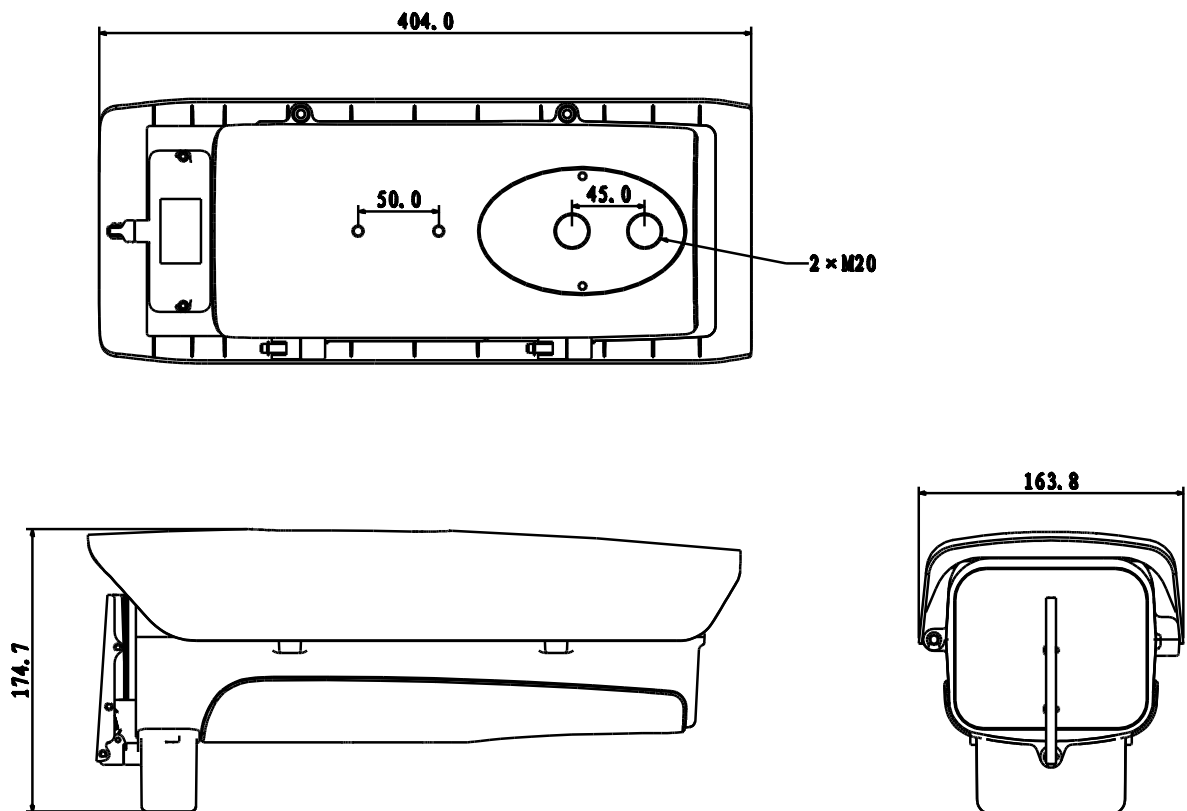
- IP66, Housing
- Water-proof coating film
- Neat & Integrated design

DH-PFH610N-W

Specifications

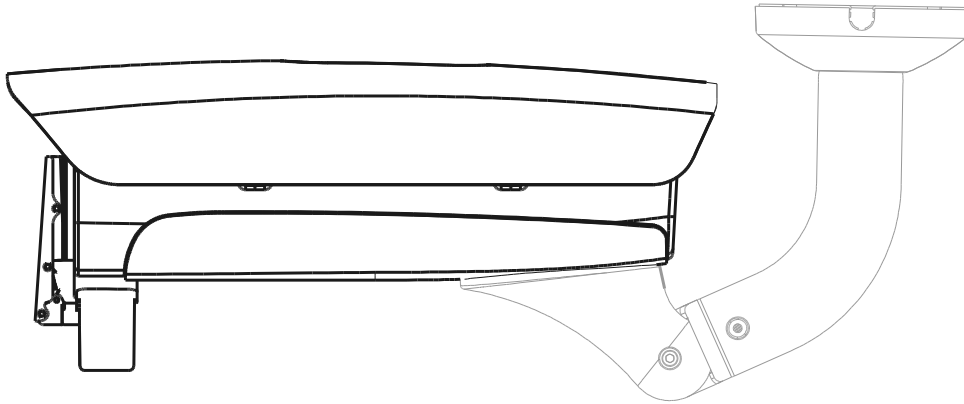
Model		DH-PFH610N-W
General		
Material	Aluminum(case) & PC(others)	
Product Dimension	404mm(L) x 164mm(W) x 132mm(H)	
Inside Dimension	171mm(L) x 86mm(W) x 90(W)	
Window Dimension	100(L) x 80(W)	
Operating Temperature	Set	-30°C ~60°C
	Heater	ON: 5 °C±5 °C ; OFF: 15 °C±5 °C(40W)
	Cooler	ON: 37 °C±5 °C ; OFF: 20 °C±5 °C
Ingress Protection	IP66	
Humidity	≤90% RH	
IR Distance	N/A	
Wiper	Yes	
Weight	3.0kg	
Power Supply	AC24V/2.5A	
Applicable Model	IPC-HF, HDC-HF, CA-F, SDZ	

Dimensions (mm)



DH-PFH610N-W

Application



Dahua Technology Co., Ltd.

1187 BinAn Road, Binjiang District, Hangzhou, China

Tel: +86-571-87688883

Fax: +86-571-87688815

Email: overseas@dahuatech.com

www.dahuasecurity.com

*Design and specifications are subject to change without notice.

© 2013 Dahua Technology Co., Ltd.