

DH-PFB200C

In-ceiling Mount Bracket



Features

- Aesthetic design
- In-ceiling mount bracket
- Material: SECC & PC

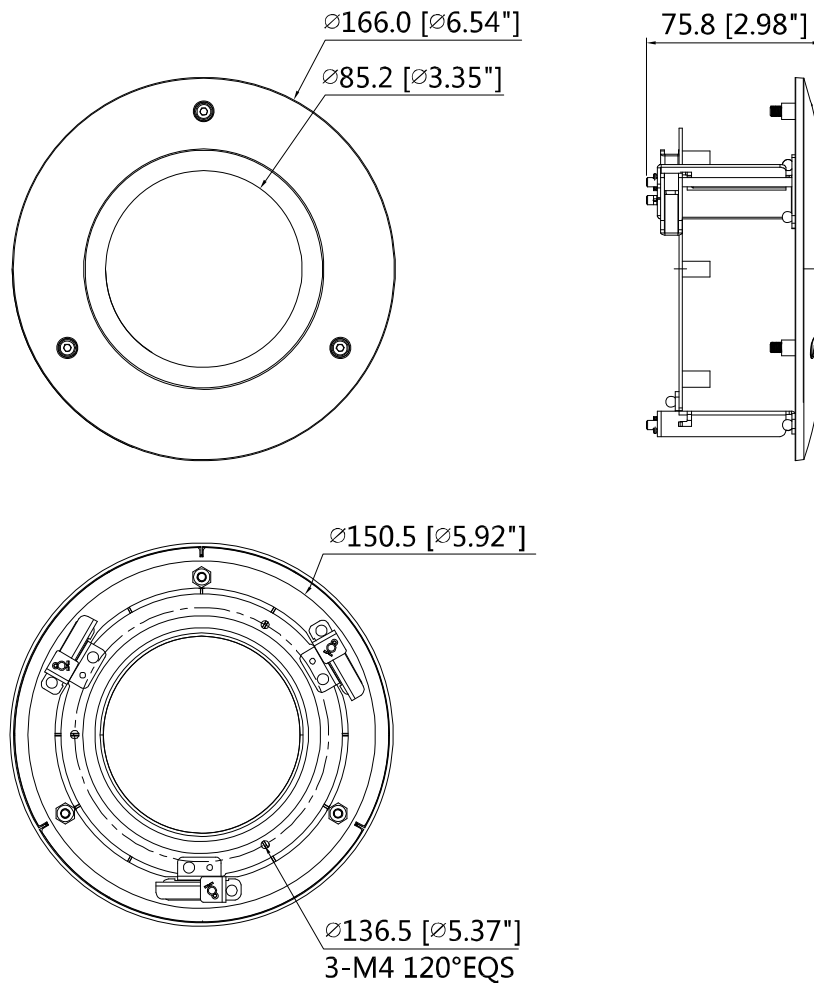
Technical Specifications

| | |
|-----------------------|----------------------------------|
| Model | DH-PFB200C |
| General | |
| Material | SECC & PC |
| Dimension | Φ166mmx75.8mm (Φ6.54"x2.98") |
| Inch Thread | G3/4" |
| Operating Temperature | -40°C~+60°C (-40°F ~+140°F) |
| Humidity | 0~90% RH |
| Load Bearing | 1kg (2.2lb) |
| Weight | 0.32kg (0.71lb) |
| Color | White |
| Applicable Model | Please see "Accessory Selection" |

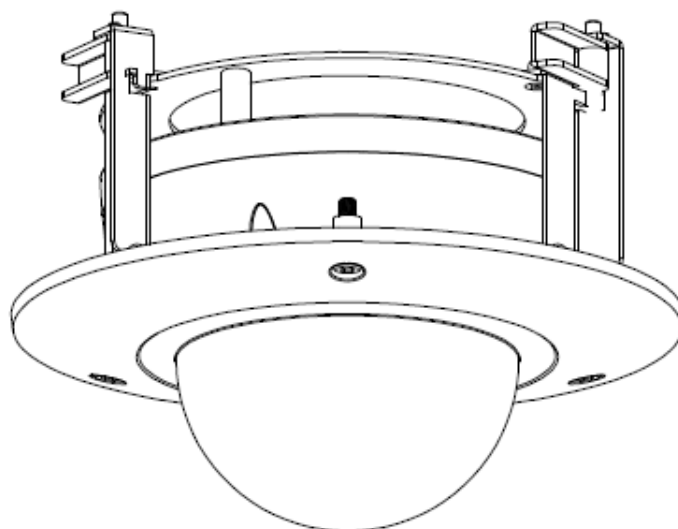
Order Information

| Type | Part Number | Description |
|---------------------|-------------|--------------------------|
| Camera Mount Series | DH-PFB200C | In-ceiling mount bracket |
| | PFB200C | In-ceiling mount bracket |

Dimensions (mm/inch)



Application



Package Information

- In-ceiling mount bracket *1
- M4 screw *3
- Wrench *1