

DH-PFA6401S

Water-proof Power Box



- Made from aluminum alloy and SECC steel.
- IP66 rated.
- Easy to install, it supports the wall mount, pole mount and corner mount installation methods.
- Large enclosure that can accommodate many types of power adapters.



System Overview

Built of high-quality material, Dahua power box is durable with an elegant and seamless design. It can accommodate many types of electrical components such as power adapters, air circuit breakers, and lightning surge protectors. It is waterproof, easy to install, and supports a variety of installation methods such as wall mount and pole mount.

Scene

Ideal for mounting cameras, it works in temperatures ranging from -40°C to $+60^{\circ}\text{C}$ (-40°F to $+140^{\circ}\text{F}$) and in environments with relative humidity of less than 90%.

Technical Specification

Structure

Casing Material	Aluminum alloy & SECC
Product Dimensions	297.2 mm × 248.0 mm × 130.7 mm (11.70" × 9.76" × 5.15") (L × W × H)
Appearance Color	White
Net Weight	3.33 kg (7.34 lb)
Gross Weight	3.80 kg (8.38 lb)
Load Bearing	8.0 kg (17.64 lb)
Installation	Wall mount; pole mount; corner mount
Screw Thread Type	G1/2
Applicable Model	Please see "Camera Accessories Selection"
Packaging Dimensions	366.0 mm × 298.0 mm × 183.0 mm (14.41" × 11.73" × 7.20") (L × W × H)

Environment

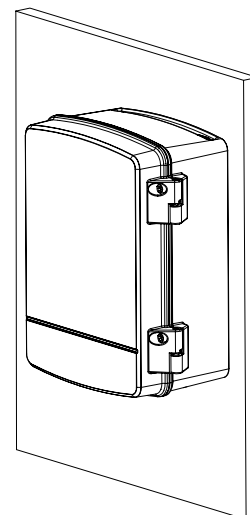
Protection	IP66
------------	------

Operating Temperature	-40°C to $+60^{\circ}\text{C}$ (-40°F to $+140^{\circ}\text{F}$)
Operating Humidity	<90% (RH)
Storage Temperature	-40°C to $+60^{\circ}\text{C}$ (-40°F to $+140^{\circ}\text{F}$)
Storage Humidity	10%–90% (RH)
Anti-corrosion Level	Basic Protection

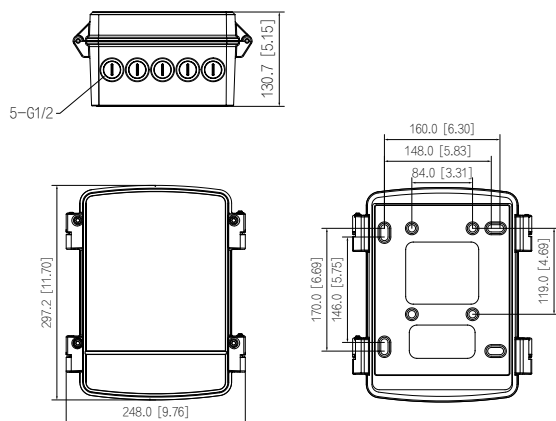
Ordering Information

Type	Model	Description
Power Box	DH-PFA6401S	Water-proof power box
	PFA6401S	Water-proof power box

Installation



Dimensions (mm[inch])



Package Information

- Power box × 1
- M8 plastic anchor × 4
- S5.0 Wrench × 1
- Water joint × 3
- Cable tie × 5
- Installation guide × 1