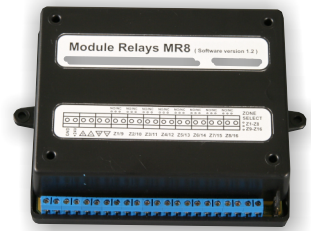


MR8 8 relays expander module

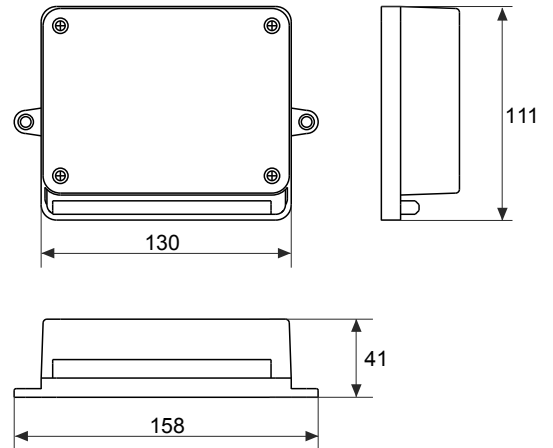
Description

MR8 is a supplementary module, mounted outside of the MAG8plus fire alarm panel box. The module contains 8 changeover contact relays. Two relay modules can be connected to a MAG8plus when using all 16 fire zones of the panel. In this case the second relay module has to be powered up from an external 24VDC power supply unit.



Technical and Environmental Specifications

Power supply	+24VDC
Maximum voltage	125V
Consumption in stand-by mode	8mA
Consumption in relay switched on	10mA
Maximum consumption	2A
Number of relays	8
Cabling - cross section/ wire diameter	1.5mm ² / 2.5mm
Maximum ratings of the relay contacts	12V/ 1A or 24V/ 0.5A
Working temperature	-5 +40°C
Relative humidity resistance	(93 ± 3)% @ 40°C
Weight	~0.4kg
Dimensions	158x111x41mm



Packing Information

- **Single packing box** - 1 unit MR8 relay expander, dimensions 162x115x44mm
- **Carton packing box** - 40 units MR8 relay expander, dimensions 490x357x220mm

Compatible Product Range

- **MAG8plus** - Conventional fire alarm panel

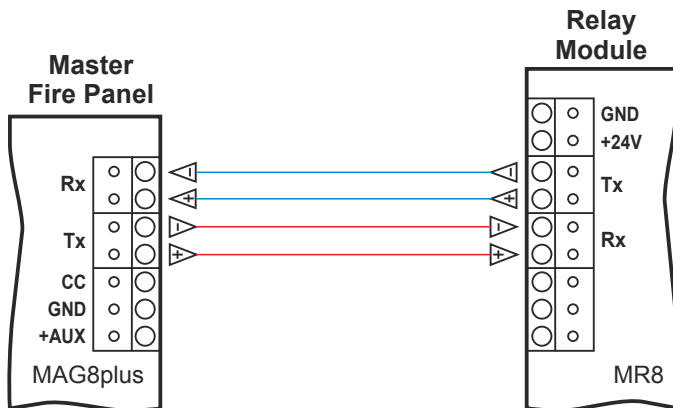
Contact Information:



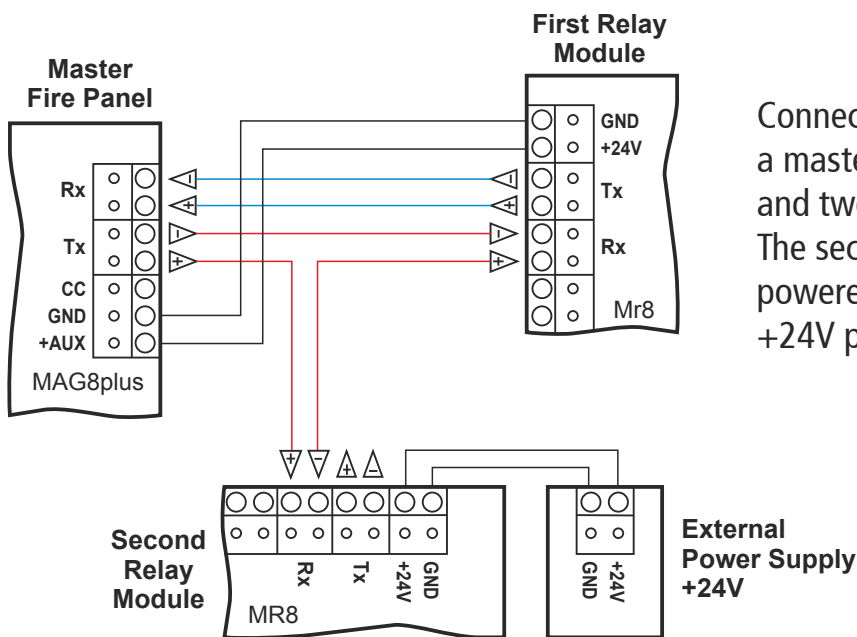
MR8

8 relays expander module

● Connection diagrams



Connection between a master panel MAG8plus and one relay module



Connection between a master panel MAG8plus and two relay modules. The second relay module is powered up from an external +24V power supply unit.

● Contact Information: