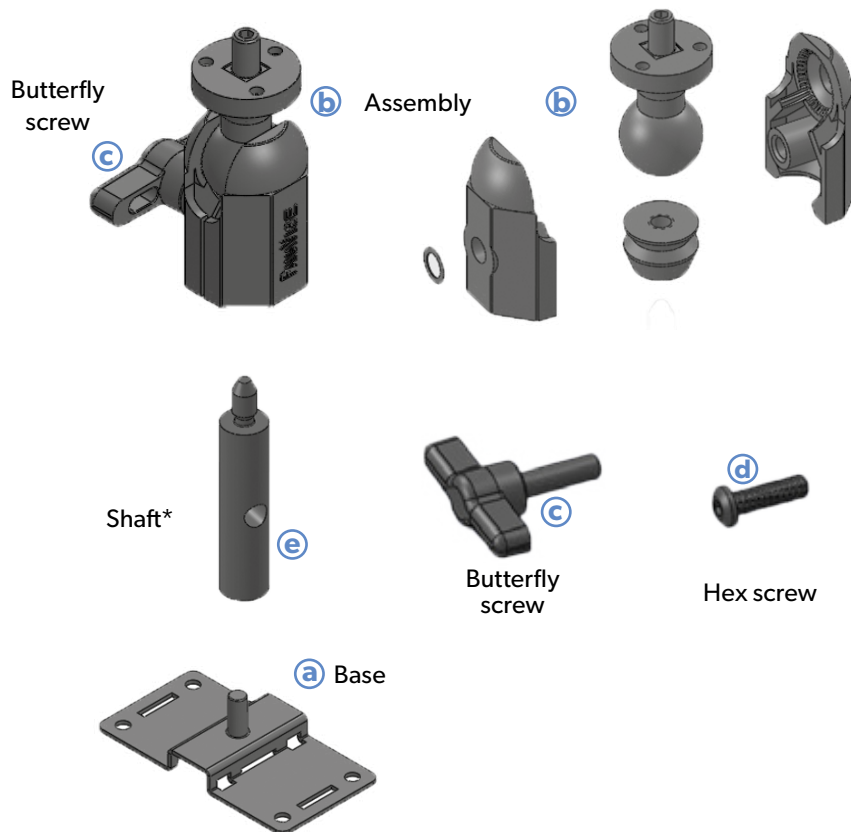
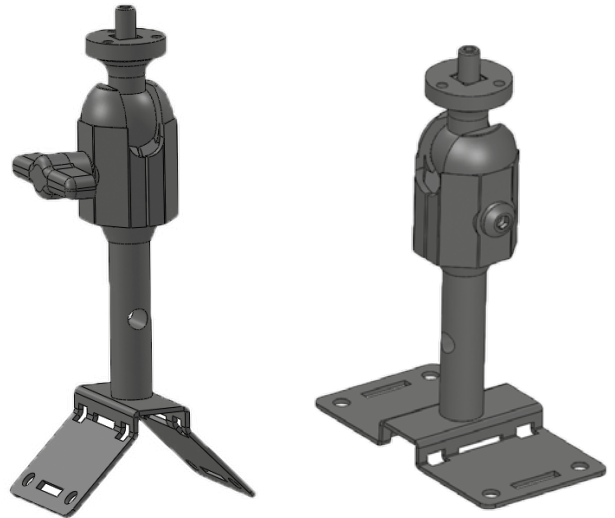


Features

- **Compatible with DCV 250/651/751**
- **Mounting on flat surface or angle thanks to the flexible base.**
- **Butterfly screw or hex screw**
- **Universal mounting**



Mounting Instructions

1. Mount base (a) on the supporting wall.
2. Screw the DCV 250/651/751 camera on joint assembly (b).
3. If required, replace butterfly screw (c) by hex screw (d). Tighten the screw loose enough to adjust MotionViewer™ tilt.
4. Screw assembly (b) on the shaft (e)* and secure the mounting using the provided hex key.
5. Screw assembly (b) and shaft (e)* on base (a) and secure using the hex key.
6. Adjust the camera angle and then run detection and video tests.
7. Once satisfied with the camera position, tighten the screw to its maximum.

* The mounting kit can be assembled without shaft if necessary

EMEA SALES

23, avenue du Général Leclerc
92340 BOURG-LA-REINE
FRANCE
E-Mail : emeasales@rsivideotech.com

North American Headquarters

1375 Willow Lake Blvd, Suite 103
Vadnais Heights, MN 55110
USA
E-Mail : usasales@rsivideotech.com

