

DH-HAC-HDBW3220E-Z(H)

2.4Megapixel 1080P Vandal-proof IR HDCVI Dome Camera



Features

- 1/2.8" 2.4Megapixel CMOS
- 25/30fps@1080P, 25/30/50/60fps@720P
- High speed, long distance real-time transmission
- HD and SD switchable, Tester out
- OSD Menu, control over coaxial cable
- DWDR, Day/Night(ICR), AWB, AGC, BLC, 3DNR
- Audio, Alarm, Heater(optional)
- 2.7~12mm motorized lens, Auto Iris
- Max. IR LEDs length 50m, Smart IR
- IP67, IK10, AC24V/DC12V

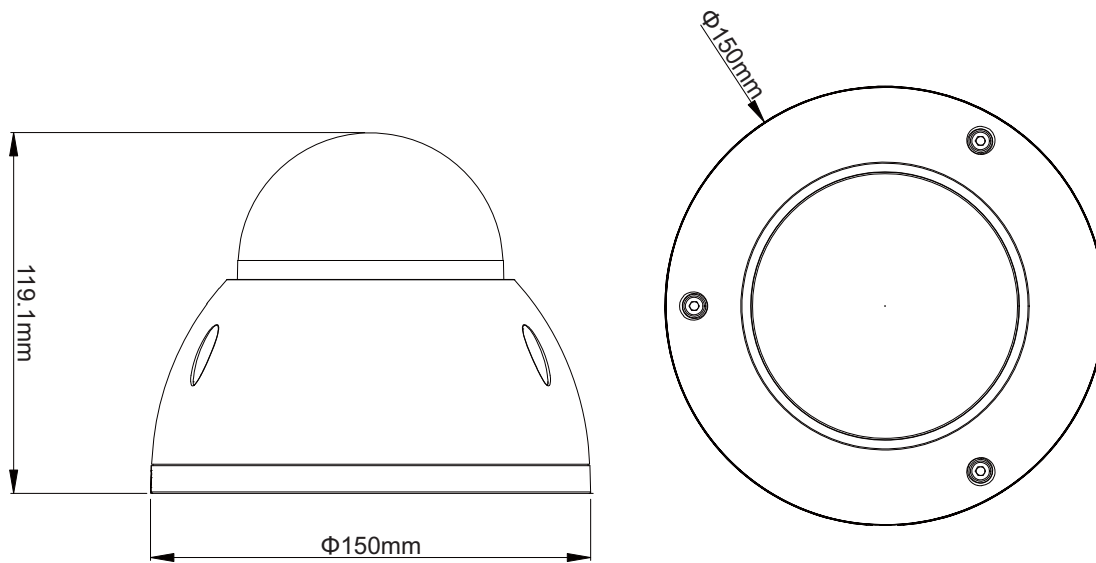
DH-HAC-HDBW3220E-Z(H)

Technical Specifications

Model	DH-HAC-HDBW3220EP-Z(H)	DH-HAC-HDBW3220EN-Z(H)
Camera		
Image Sensor	1/2.8" 2.4Megapixel CMOS	
Effective Pixels	1984(H)×1225(V)	
Electronic Shutter	1/3s~1/100,000s	
Video Frame Rate	25/30/50/60fps@720P; 25/30fps@1080P	
Synchronization	Internal	
Min. Illumination	0.05Lux/F1.4, 0Lux IR on	
Video Output	1-channel BNC HDCVI high definition video output / CVBS standard definition video output (Can switch) Tester out	
Camera Features		
Max. IR LEDs Length	50m, Smart IR	
Day/Night	Auto(ICR) / Color / B/W	
Noise Reduction	2D/3D	
OSD Menu	Support	
Lens		
Focal Length	2.7~12mm	
Angle of View	H: 93° ~35°	
Lens Type	Motorized / Auto Iris	
Mount Type	Φ14	
Auxiliary Functions		
Alarm	1 channel in/out	
Audio	1 channel in	
Heater	Optional	
General		
Power Supply	AC24V±10% / DC12V±10%	
Power Consumption	Max 8.4W Max 9.6W (HDBW3220E-ZH)	
Working Environment	-30°C~+60°C / Less than 95%RH (no condensation) -40°C~+60°C / Less than 95%RH (no condensation) (HDBW3220E-ZH)	
Transmission Distance	Over 500m via 75-3 coaxial cable	
Ingress Protection	IP67 & IK10	
Dimensions	Φ150mm×119.1mm	
Weight	0.8kg	
Material	Metal	

DH-HAC-HDBW3220E-Z(H)

Dimensions (mm)



Accessories (optional)

						
PFA100	PFB302S	PFB300C	PFA113	PFA112	PFA132	PFA152

Dahua Technology Co., Ltd.

1199 BinAn Road, Binjiang District, Hangzhou, China

Tel: +86-571-87688883

Fax: +86-571-87688815

Email: overseas@dahuatech.com

www.dahuasecurity.com

*Design and specifications are subject to change without notice.

© 2014 Dahua Technology