

## HD PRO SERIES

Series dedicated to the installer who's looking for a high-level camera making the difference in terms of image quality.

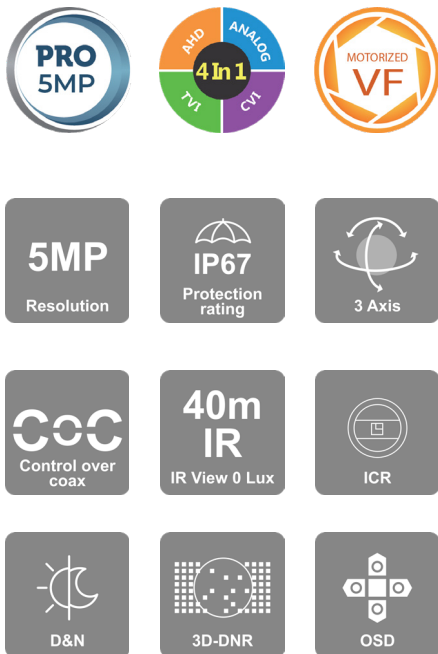


# DI-350A-MVF

## 40M IR 5MP PRO HD ANALOG MOTORIZED VARI-FOCAL LENS DOME/TURRET CAMERA

Equipped with a 2.8-12mm motorized lens, This 5MP dome/turret camera is designed for medium distance surveillance (up to 40m) for both indoor and outdoor scenarios.

Featuring 4in1 technology selectable by a protected DIPswitch the camera is ideal for Plug & Play over existing analog infrastructure.



### MAIN FEATURES

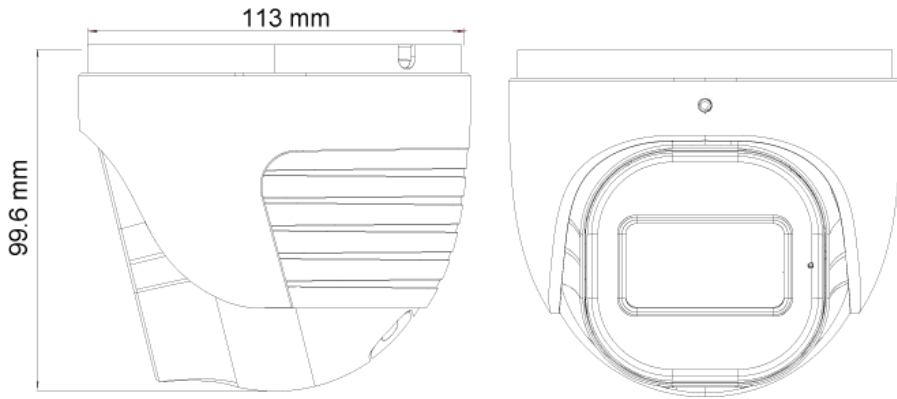
- 5MP
- Pro Series
- 2592x1944 Resolution
- 2.8-12mm motorized Varifocal ( 84°-32° )
- 3D-DNR
- 4 in 1 (DIP Switch AHD/TVI/CVI/CVBS + PAL/NTSC)
- IP67
- COC support



## SPECIFICATIONS

|                        |  |
|------------------------|--|
| Image Sensor           | 1/2.7" 5MP Sensor  |
| Image Format           | 5MP - 4:3. 4MP - 16:9  |
| Effective Pixels       | 2608x1960  |
| Scanning System        | Progressive  |
| Resolution             | 5MP: 2592x1944 AHD/TVI<br>4MP: 2560x1440 AHD/TVI/CVI<br>CVBS: 700TVL                     |
| FPS                    | 25/30FPS   |
| Min. Illumination      | Color: 0.01lux @F1.2, AGC ON<br>B/W: 0lux with IR  |
| D&N                    | True Day&Night-ICR   |
| IR LED                 | 3 LED Array (40m)  |
| OSD Menu               | Available via CoC Only   |
| CoC Support            | Yes  |
| Day & Night Mode       | Ext/Auto/Day/Night   |
| Backlight Compensation | BLC  |
| S/N Ratio              | ≥52dB (AGC OFF)  |
| White Balance          | Auto / Auto->Set   |
| Noise Reduction        | 3D-DNR   |
| Video Output           | 5MP / 4MP (Selected by OSD Menu)<br>AHD/TVI/CVI/CVBS + PAL/NTSC (Selected by DIP Switch) |
| Privacy Mask           | No   |
| D-Effect               | Mirror + Flip  |
| WDR                    | Digital  |
| Lens (Field Of View)   | 2.8-12mm Mega-Pixel Motorized Vari-Focal (84°-32°)                                       |
| Power                  | DC12V/620mA  |
| Operation Temperature  | -30° ~ 50°, 10% ~ 90% humidity   |
| Protection Rate        | IP67   |
| Dimensions             | Φ113*99.6mm  |
| Net Weight             | 675g   |
| Junction Box           | PR-JB14IP66 - PR-JB14IP64 - PR-WB-A  |

## DIMENSIONS



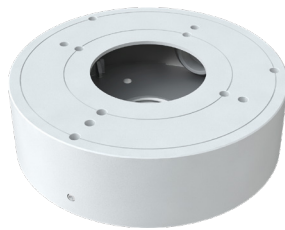
DIP Switch for Output Selection

| Format |     |     |      | SYS  |     |   |
|--------|-----|-----|------|------|-----|---|
| 0/1    | 0/1 | 0/1 | 0/1  | 1    | 2   | 3 |
| 1      | 2   | 1   | 1    | 1    | 2   | 3 |
| MBP    | TVI | CVI | CVBS | RTSP | PAE |   |

## ACCESSORIES



PR-JB14IP66  
Large Water-proof Junction Box



PR-JB14IP64  
Large Junction Box



PR-WB-A  
Designed Wall Bracket