

DAL 165/6 PP, DAL 165/10 PP

6.5" 6W wall or ceiling mount loudspeakers

The DAL 165/6 PP and DAL 165/10 PP loudspeakers for voice evacuation systems are made in powder-paint coated metal, and are equipped with a 100V transformer and are supplied with a ceramic terminal block and a thermal fuse.

Thanks to classic design and highly efficient acoustic features, these loudspeakers are ideal for a wide variety of applications including music playback and announcement of voice evacuation (e.g. business centres, hotels, shopping malls, schools, etc.).

EN54-24 certified.



MAIN FEATURES

- 6.5" speaker
- Suitable for 70V or 100V lines
- Equipped with internal transformer for adapting the power parameters
- Wall or ceiling mount
- Internal selector to adjust the output power
- White
- Ceramic connection terminal
- Thermal protection fuse included
- Certified EN54-24

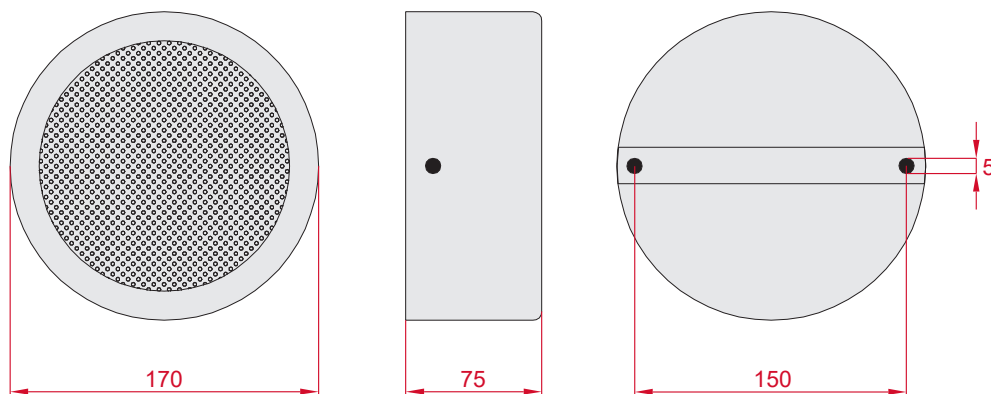
TECHNICAL SPECIFICATIONS

	DAL 165/6 PP	DAL 165/10 PP
Power (PHC)	6 / 3 / 1.5 / 0.75 W	10 / 6 / 3 / 1.5 W
Maximum sound pressure level (SPL)	91 dB (1W @ 1m)	
Frequency response	95 Hz – 17,000 KHz (-10 dB)	110 Hz – 16,100 KHz (-10 dB)
Operating voltage	70 – 100 Vrms	

MECHANICAL SPECIFICATIONS

	DAL 165/6 PP	DAL 165/10 PP
IP protection grade	21 (EN54-24 / IP Rating)	
Enclosure material	Metal	
Dimensions	Ø 170 x 75 mm	
Weight	1.05 Kg	1.2 Kg
Colour	RAL 9010 White	
Mounting type	Wall, ceiling	

DIMENSIONS



ORDER CODES

DAL 165/6 PP 6.5" 6W wall or ceiling mount loudspeaker

DAL 165/10 PP 6.5" 10W wall or ceiling mount loudspeaker