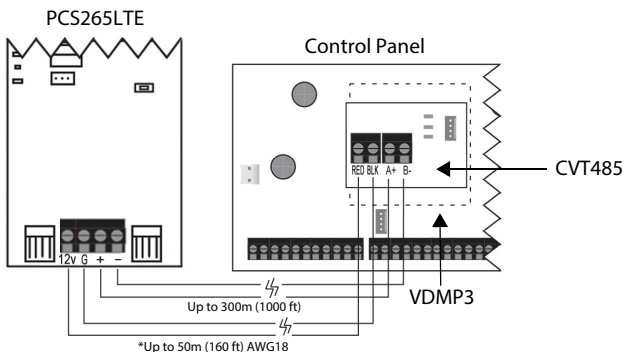


When in GSM mode, a CVT485 module can be connected onto the control panel's serial port as an interface to lengthen the distance between the panel and the PCS265LTE / PCS250 Communicator Module. The serial cable provided enables a connection of up to 1m (3 ft) from the control panel. If the PCS265LTE / PCS250 has to be installed further from the control panel (e.g., better reception), the CVT485 converts serial to RS485 protocol, allowing a connection of up to 300m (1000 ft) from the control panel.

While the connection line A+ and B- of the RS485 connector can be extended up to 300m (1000 ft), the power lines (+12V and ground connections of the RS485 connector) are subject to a shorter length restriction which is based on the wire gauge (this is due to a voltage drop in the lines during transmission). The maximum wire length for each of those power lines is as follows: 12m (40 ft) for AWG24, 20m (65 ft) for AWG22, 30m (100 ft) for AWG20, and 50m (160 ft) for AWG18.

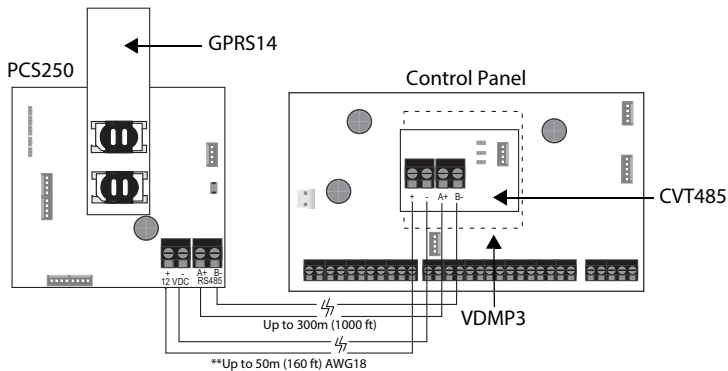
Note: It is possible to connect the RS485 A+ and B- lines to a CVT485 installed on a remote panel and power the PCS250 using a separate 12V power source with shorter wire lengths.

Figure 1: CVT485 Connection with PCS265LTE



*recommended to use with battery option or use an independent power source

Figure 2: CVT485 Connection with PCS250



**or use an independent power source