

Datasheet

SP range - Symmetrical strike with NO/NC position contact

Product Description

The SP range from CDVI are fail safe or fail secure strikes featuring from a NO/NC door position contact through a latch switch

The SP range offers a solution for the vast majority of applications required by the market.

The strikes have a symmetrical body that makes them reversible, which makes them suitable for left- or right-handed doors.

All strikes are fitted with a diode to protect against back EMF and are supplied with a standard faceplate ([TG](#)).



Key Features

- Symmetrical and reversible electric strikes
- NO/NC position contact
- Holding force: 3 250 N
- Built-in MOV to protect from electrical spikes
- Adjustable radial jaw
- Fail safe or fail secure configurations
- Integrated protection against back EMF

 Certification

 DEEE

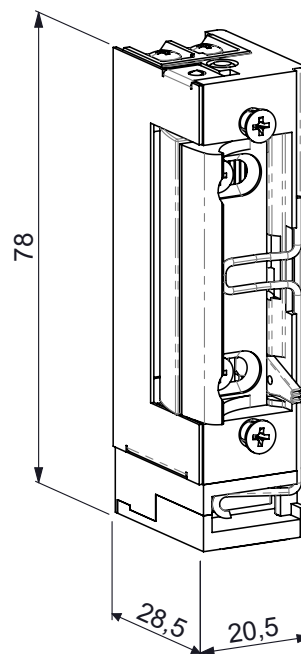
RoHS Certification

 IK10

 -20°C to 50°C

Product Specifications

Material:	Zamak®
Mounting:	Flush mounting
Lock mode:	Fail secure or fail safe
Handed:	Reversible
Holding force:	3 250 N
Cycles tested:	Tested to 300,000 cycles
Jaw type:	Adjustable
Weight:	200 g
Dimensions:	
• Strike:	78 x 28.6 x 20.5 mm
• Faceplate:	158 x 25 x 3 mm



Electrical Specifications

Power input:	12/24Vac/dc (fail secure)
Consumption	
• Fail safe:	200 mA @ 12Vdc 100 mA @ 24Vdc
• Fail secure:	540 mA @ 12Vac 630 mA @ 12Vdc

Accessories



T290

Stainless steel faceplate with
deadbolt cut-out, 17mm



TG

Standard stainless steel
faceplate (supplied)

Range References

F0502000040	SPIR12	Symmetrical fail safe strike, monitored, 12Vdc
F0502000049	SPR1024	Symmetrical fail safe strike, monitored, 12/24Vac/dc, continuous current