

# DHI-ASB1C-B

## Dahua Access Controller Box



- Made from galvanized steel plate, it is elegant and durable.
- Supports receiving power from mains electricity and its storage battery.
- Reports multiple types of events such as main electricity failure, main electricity recovery, and tampering when used with the Access Controller. This function is only available on select models.
- Supports firmware update when used with the Access Controller. This function is only available on select models.
- Built-in air circuit breaker that limits the current and protects the device from electricity leakage and short circuits.
- Built-in illuminator.
- Outputs anti-tampering alarms when used with Access Controller. This function is only available on select models.

### Technical Specification

#### System

Main Processor 32-bit Processor

#### Basic

Product Type Access controller box

Casing Material Galvanized steel plate

#### Alarm

Tamper Alarm Yes

#### General

Power Supply Mains electricity input: 100–240 VAC, ≤1.5 A  
Mains electricity output: 15 VDC, ≤4 A  
Storage battery: 12 VDC, 7 AH

Power Consumption ≤0.45 W (standby), ≤30 W (working)

Product Dimensions 455.5 mm × 355.5 mm × 109 mm (17.93" × 13.99" × 4.29")

Packaging Dimensions 579 mm × 489 mm × 203 mm (22.80" × 19.25" × 7.99")

Operating Humidity 5%–95% (RH)

Operating Environment Indoor

Gross Weight 9.0 kg (19.84 lb)

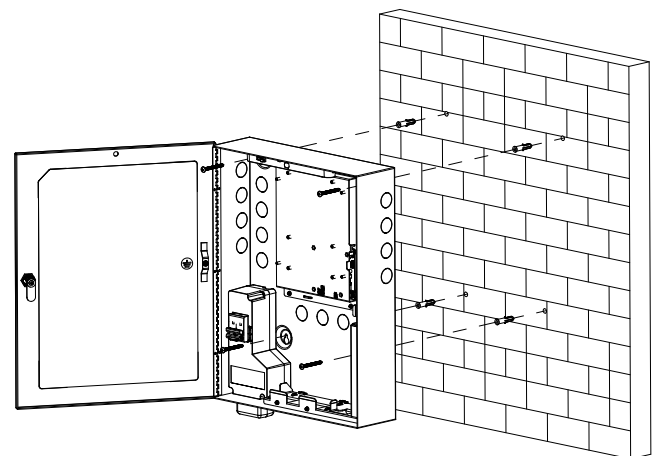
Installation Surface Mount

Certifications CE

### Ordering Information

Type	Model	Description
Access Controller Box	DHI-ASB1C-B	Dahua Access Controller Box
	DHI-ASC3202B	Dahua Access Controller
Access Controller	DHI-ASC2202B-S	Dahua Access Controller
	DHI-ASC2202B-D	Dahua Access Controller
	DHI-ASC2204B-S	Dahua Access Controller

### Installation



## Dimensions (mm[inch])

