

DHI-ARD2251E-W2(868V)

Dahua Wireless External PIR-Camera (Only compatible with ARC3800H series)



Series Overview

Wireless Triple-Tech Detector performs high precision detection using PIR, microwave detection technology, optical technology and intelligent algorithms. It also eliminates interference caused by small animals, the ambient temperature and changes in the light to ensure that the detector accurately recognizes when people move, even in complex environments. When combined with the camera module, its capabilities expand allowing you to both monitor your scene through videos and images, and check alarms in real time. You also receive alarm notifications when alarms are triggered, so that you can stay up to date on the situation of your site.

Technical Specification

Video & Audio

| | |
|--------------------|---|
| Field of View | 110° (H); 60° (V) |
| Image Type | JPEG |
| Resolution | 1280 × 960; 640 × 480; 320 × 240; 160 × 120 |
| Frame Rate | 2 |
| Illumination Mode | Infrared Light |
| Illumination Range | 15 m (49.21 ft) |
| Day/Night Switch | Color; Black and White |

Function

| | |
|-----------------------|---|
| Indicator Light | 1 × green alarm indicator |
| Button | 1 × power switch 1 × detection range adjustment switch |
| Remote Update | Cloud update |
| Low Battery Detection | Yes |
| Tamper | Tamper alarm |
| Moving detection | Yes |

- Support anti-masking detection.
- Support moving detection to prevent someone move or detach device.
- Supports video verification.
- IR illumination range of 15 m at night.
- Pet immunity: up to 80 cm, 40kg.
- Support environment temperature monitoring.
- Supports two-way communication and frequency hopping to make communication with alarm hub stable and reliable.
- Features cloud update. You can also remotely update the device on the mobile app.
- Offers a dual backup system, and uses auto recovery when an update fails.
- Suitable for the ARC3800H series only, excluding the ARC3000H series and ARA43 series.

Technical

| | |
|--|---|
| Detection Mode | PIR + Microwave |
| Sensitivity | PIR:3 levels adjustable |
| Detection Range | Angle:90° Range:15 m (49.21 ft), the installation height is 1 m (3.28 ft) |
| Detection Speed | 0.3 m/s~2 m/s |
| Microwave Frequency | 24 G |
| Pet Immunity Level | <80 cm (2.62 ft), about 40 kg (88.19 lb) |
| White Light Resistance Level | 10,000 lux |
| Anti-masking | Yes |
| Two-way Digital Temperature Compensation | Yes |
| Scenario | Outdoor, indoor |
| Operating Current | 20 uA |
| Alarm Current | Without Camera: 26mA (Avg); 250 mA (Max) With Camera in Night: 380 mA (Avg); 1.5 A (Max) |

Wireless

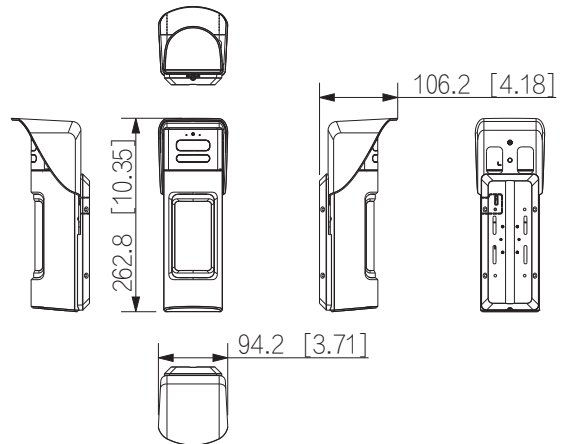
| | |
|--------------------------|--|
| Carrier Frequency | 868.0 MHz~868.6 MHz |
| Transmitter Power (EIRP) | Limit 25 mW |
| Communication Mechanism | Two-way |
| Communication Distance | RF: Up to 1,600 m (5,249.34 ft) in an open space RF-HD: Up to 1,400 m (4593.18 ft) in an open space |
| Encryption Mode | AES128 |
| Frequency Hopping | Yes |

Wireless Triple-Tech Detector | DHI-ARD2251E-W2(868V)

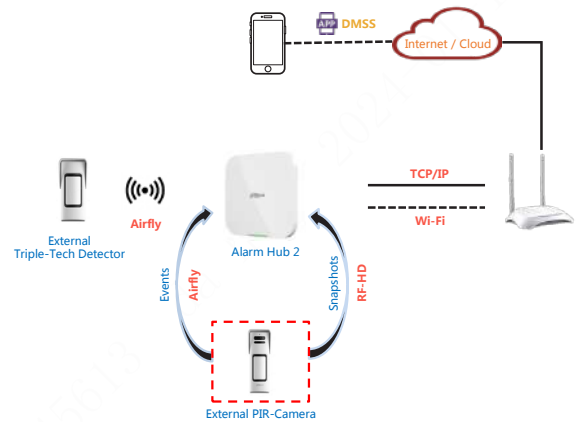
General

| | |
|-----------------------|--|
| Power Supply | CR123A × 4 |
| Battery Life | Without Camera: 5 years (triggers 10 alarms a day) With Camera: 3.5 years (triggers alarms twice a week) |
| Operating Temperature | -25 °C to +60 °C (-13 °F to +140 °F) |
| Operating Humidity | 10%–90% (RH) |
| Product Dimensions | 263 mm × 106 mm × 94 mm (10.35" × 4.17" × 3.70") |
| Installation Height | 0.8 to 1.3 m |
| Net Weight | 763 g (1.68 lb) |
| Gross Weight | 1.06 kg (2.34 lb) |
| Installation | Wall mount, pole mount |
| Casing Material | PC + GF |
| Protection | IP66 |
| Certifications | CE EN 50131-1:2006+A1:2009+A2:2017+A3:2020 EN 50131-6:2017+A1:2021 EN 50131-5-3:2017 EN 50131-2-4:2020 Security Grade 2 Environmental Class IV |
| Anti-corrosion Level | Basic Protection |
| Storage Temperature | -25 °C to +60 °C (-13 °F to +140 °F) |
| Storage Humidity | 10%–90% (RH) |
| Packaging Dimensions | 297 mm × 146 mm × 120 mm (11.69" × 5.75" × 4.72") |

Dimensions (mm[inch])



Application



Ordering Information

| Type | Model | Description |
|-------------------------------|-----------------------|---|
| Wireless Triple-Tech Detector | DHI-ARD2251E-W2(868V) | Dahua Wireless External PIR-Camera (Only compatible with ARC3800H series) |
| Accessories | ARA34E | Detector Bracket |

Accessories

Optional:



ARA34E
Detector Bracket

